

**Scheibenthristoren**  
**Capsule thyristors**  
**Thyristors à boîtiers disques**

| Thyristorentyp<br>Type of thyristors<br>Type de thyristors | V <sub>RRM</sub><br>V <sub>DRM</sub><br>V | I <sub>TAVM</sub><br>A | I <sub>TRMS</sub><br>A | I <sub>TSM</sub>       |                        | I <sub>D</sub><br>I <sub>R</sub><br>mA | V <sub>T</sub> /I <sub>T</sub><br>V/A | (dv/dt) <sub>crit</sub><br>V/μs | (di/dt) <sub>crit</sub><br>A/μs | I <sub>GT</sub><br>mA | V <sub>GT</sub><br>V | I <sub>H</sub><br>mA | t <sub>q</sub><br>μs | V <sub>(TO)</sub><br>V | r <sub>T</sub><br>mΩ | T <sub>VJM</sub><br>°C | R <sub>thJC</sub><br>K/W | w<br>g | Fig.<br>Nr. |                      |
|--|---|------------------------|------------------------|------------------------|------------------------|--|---------------------------------------|---------------------------------|---------------------------------|-----------------------|----------------------|----------------------|----------------------|------------------------|----------------------|------------------------|--------------------------|--------|-------------|----------------------|
|  |   |                        |                        | A                      | A <sup>2</sup> s       |  |                                       |                                 |                                 |                       |                      |                      |                      |                        |                      |                        |                          |        |             | T <sub>VJM</sub>     |
| HT 1260/26-OG 6  | 2600                                      | 1260                   | 3260                   | 25 · 10 <sup>3</sup>   | 3,13 · 10 <sup>6</sup> | 150                                    | 2,17/3220                             | 200                             | 150                             | 300                   | 3                    | 350                  | 480                  | 1,04                   | 0,35                 | 125                    | 0,0148                   | 1000   | 69          |                      |
| 28   | 2800                                      | ③                      | ③                      |                        |                        |  |                                       |                                 |                                 |                       |                      |                      |                      |                        |                      |                        |                          |        |             | 480                  |
| 30   | 3000                                      |                        |                        |                        |                        |  |                                       |                                 |                                 |                       |                      |                      |                      |                        |                      |                        |                          |        |             | 480                  |
| 32   | 3200                                      |                        |                        |                        |                        |  |                                       |                                 |                                 |                       |                      |                      |                      |                        |                      |                        |                          |        |             | 570                  |
| 34   | 3400                                      |                        |                        |                        |                        |  |                                       |                                 |                                 |                       |                      |                      |                      |                        |                      |                        |                          |        |             | 570                  |
| 36   | 3600                                      |                        |                        |                        |                        |  |                                       |                                 |                                 |                       |                      |                      |                      |                        |                      |                        |                          |        |             | 650                  |
| HT 1420/16-OG 6  | 1600                                      | 1620                   | 4330                   | 27,5 · 10 <sup>3</sup> | 3,78 · 10 <sup>6</sup> | 150                                    | 2/6000                                | 200                             | 150                             | 300                   | 3                    | 350                  | 200                  | 1                      | 0,167                | 125                    | 0,0148                   | 1000   | 69          |                      |
| 18   | 1800                                      | ③                      | ③                      |                        |                        |  |                                       |                                 |                                 |                       |                      |                      |                      |                        |                      |                        |                          |        |             | 250                  |
| 20   | 2000                                      |                        |                        |                        |                        |  |                                       |                                 |                                 |                       |                      |                      |                      |                        |                      |                        |                          |        |             | 300                  |
| HT 1700/26-OG 6  | 2600                                      | 1700                   | 4420                   | 33,5 · 10 <sup>3</sup> | 5,61 · 10 <sup>6</sup> | 200                                    | 2,23/3000                             | 200                             | 150                             | 350                   | 4                    | 500                  | 480                  | 1,35                   | 0,294                | 125                    | 0,0093                   | 1700   | 70          |                      |
| 28   | 2800                                      | ③                      | ③                      |                        |                        |  |                                       |                                 |                                 |                       |                      |                      |                      |                        |                      |                        |                          |        |             | 480                  |
| 32   | 3200                                      |                        |                        |                        |                        |  |                                       |                                 |                                 |                       |                      |                      |                      |                        |                      |                        |                          |        |             | 570                  |
| 36   | 3600                                      |                        |                        |                        |                        |  |                                       |                                 |                                 |                       |                      |                      |                      |                        |                      |                        |                          |        |             | 650                  |
| 40   | 4000                                      |                        |                        |                        |                        |  |                                       |                                 |                                 |                       |                      |                      |                      |                        |                      |                        |                          |        |             | 650                  |
| 42   | 4200                                      |                        |                        |                        |                        |  |                                       |                                 |                                 |                       |                      |                      |                      |                        |                      |                        |                          |        |             | 700                  |
| HT 1860/04-OG 6  | 400                                       | 1860                   | 5000                   | 45 · 10 <sup>3</sup>   | 10,1 · 10 <sup>6</sup> | 100                                    | 1,28/3220                             | 200                             | 150                             | 300                   | 3                    | 350                  | 100                  | 0,88                   | 0,124                | 125                    | 0,0148                   | 1000   | 69          |                      |
| 06   | 600                                       | ③                      | ③                      |                        |                        |  |                                       |                                 |                                 |                       |                      |                      |                      |                        |                      |                        |                          |        |             | 100                  |
| 08   | 800                                       |                        |                        |                        |                        |  |                                       |                                 |                                 |                       |                      |                      |                      |                        |                      |                        |                          |        |             | 100                  |
| 10   | 1000                                      |                        |                        |                        |                        |  |                                       |                                 |                                 |                       |                      |                      |                      |                        |                      |                        |                          |        |             | 150                  |
| 12   | 1200                                      |                        |                        |                        |                        |  |                                       |                                 |                                 |                       |                      |                      |                      |                        |                      |                        |                          |        |             | 150                  |
| 14   | 1400                                      |                        |                        |                        |                        |  |                                       |                                 |                                 |                       |                      |                      |                      |                        |                      |                        |                          |        |             | 200                  |
| 16   | 1600                                      |                        |                        |                        |                        |  |                                       |                                 |                                 |                       |                      |                      |                      |                        |                      |                        |                          |        |             | 200                  |
| HT 2400/02-OG 6  | 200                                       | 2400                   | 5900                   |                        |                        |  |                                       |                                 |                                 |                       |                      |                      |                      |                        |                      |                        |                          |        |             | 47 · 10 <sup>3</sup> |
| 04   | 400                                       | ③                      | ③                      | 100                    |                        |  |                                       |                                 |                                 |                       |                      |                      |                      |                        |                      |                        |                          |        |             |                      |
| 06   | 600                                       |                        |                        | 100                    |                        |  |                                       |                                 |                                 |                       |                      |                      |                      |                        |                      |                        |                          |        |             |                      |
| 08   | 800                                       |                        |                        | 100                    |                        |  |                                       |                                 |                                 |                       |                      |                      |                      |                        |                      |                        |                          |        |             |                      |
| 10   | 1000                                      |                        |                        | 150                    |                        |  |                                       |                                 |                                 |                       |                      |                      |                      |                        |                      |                        |                          |        |             |                      |
| 12   | 1200                                      |                        |                        | 150                    |                        |  |                                       |                                 |                                 |                       |                      |                      |                      |                        |                      |                        |                          |        |             |                      |
| 14   | 1400                                      |                        |                        | 200                    |                        |  |                                       |                                 |                                 |                       |                      |                      |                      |                        |                      |                        |                          |        |             |                      |
| 16   | 1600                                      |                        |                        | 200                    |                        |  |                                       |                                 |                                 |                       |                      |                      |                      |                        |                      |                        |                          |        |             |                      |
| 18   | 1800                                      |                        |                        | 300                    |                        |  |                                       |                                 |                                 |                       |                      |                      |                      |                        |                      |                        |                          |        |             |                      |
| 20   | 2000                                      |                        |                        | 300                    |                        |  |                                       |                                 |                                 |                       |                      |                      |                      |                        |                      |                        |                          |        |             |                      |

③ doppelseitige Kühlung / double-side cooling / refroidissement sur deux faces

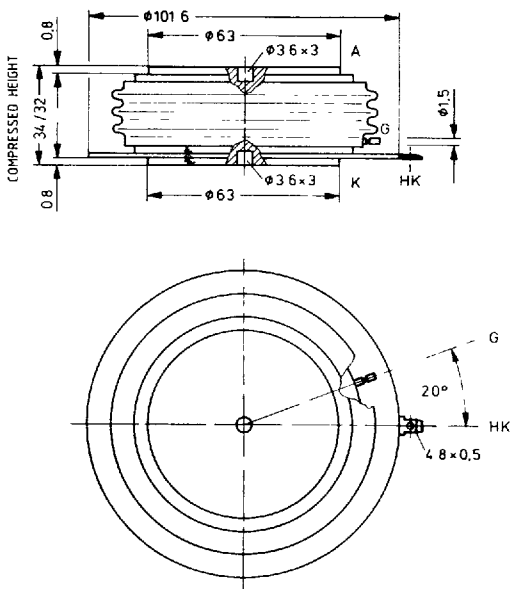
Maße in mm / Dimensions in mm / Dimensions en mm

Höhere di/dt- und dv/dt-Werte auf Anfrage  
 Higher di/dt- and dv/dt-values on request  
 Valeurs de grandeur vitesse di/dt et dv/dt sur demande

Anpreßkräfte  
Mounting forces  
Forces de serrage

| Diodentyp<br>Type of diode<br>Type de diode | Thyristorentyp<br>Type of thyristor<br>Type de thyristor | Anpreßkraft $F_m$ (kN)<br>Mounting force<br>Force de serrage |
|---|--|--|
| HD 480<br>HD 620                            | HT 181<br>HT 270<br>HT 341                               | 3,3 – 5,5  |
|   | HT 500<br>HT 501<br>HT 960                               | 5,3 – 10   |
| HD 1020<br>HD 1210<br>HD 1860               | HT 410<br>HT 550<br>HT 660<br>HT 710                     | 10 – 20  |
| HD 1140<br>HD 1440<br>HD 2410               | HT 780<br>HT 1001<br>HT 1200                             | 19 – 26  |
| HD 2400<br>HD 2670                          | HT 1260<br>HT 1420<br>HT 1860                            | 27 – 34  |
| HD 2930<br>HD 3380                          | HT 1700<br>HT 2400                                       | 27 – 47  |
| 1 N = 0,102 kp<br>1 kp = 9,81 N             | 1 N = 0,225 lbf<br>1 lbf = 4,448 N                       | 1 N = 7,223 pdl<br>1 pdl = 0,138 N                           |

69



70

