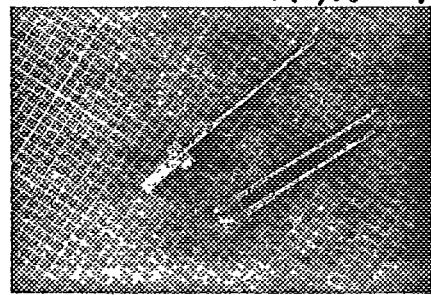
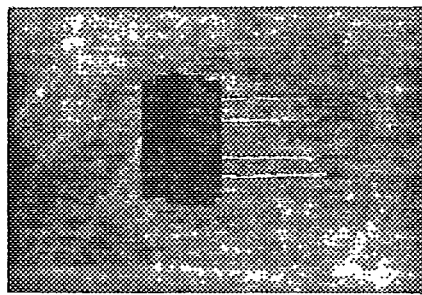
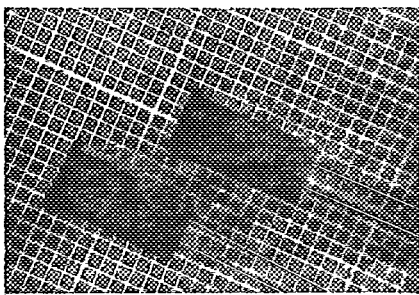


A-23-09

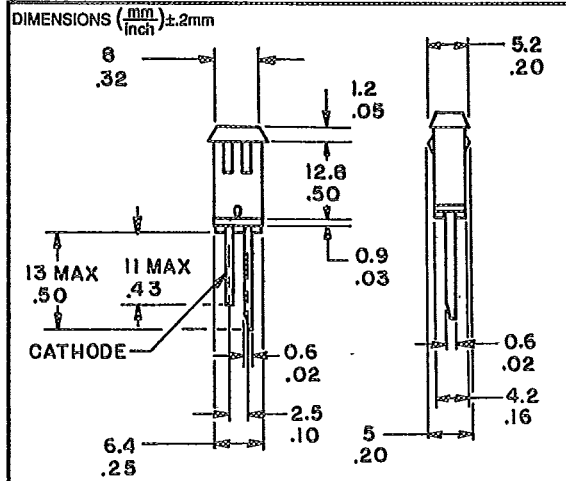


SSL-LXHMP059XX SERIES 2.5mm PANEL INDICATOR ASSEMBLY

FEATURES		APPLICATIONS		MATERIAL SPECIFICATIONS		
<ul style="list-style-type: none"> • Easy Installation • High Contrast Holder • Four Color Options • Bi-Color Blinking Option 		<ul style="list-style-type: none"> • Front Panel Indicator • Status Annunciator • Go-No Go Condition Indicators 		<ul style="list-style-type: none"> • Holder: Black Nylon • Terminations: 0.5mm □ Leads Insulated Leads Available • Installation: Panel Mount 		
LUMEX PART NBR	EMITTED COLOR	OPERATING CURRENT (mA)	OPERATING TYP Volts (V)	BRIGHTNESS TYP (mCd) @	LED SERIES USED	
SSI-LXHMP059ID	RED	635	10-25	2.1	8 20	SSL-LX2573XX
SSI-LXHMP059SRD	RED	660	10-25	1.7	25 20	SSL-LX2573XX
SSI-LXHMP059GD	GREEN	565	10-25	2.1	8 20	SSL-LX2573XX
SSI-LXHMP059YD	YELLOW	585	10-25	2.1	8 20	SSL-LX2573XX
BI-COLOR OPTION						
SSI-LXHMP059HGW	RED/GREEN	695/565	10-25	2.1	6/8 20	SSL-LX2573HGW
BLINKING OPTION						
SSI-LXHMP059BID	RED	635	10-20	3-15V	8 9V	SSL-LX2573BID

INSULATED LEAD OPTIONS ADD -150 TO PART NBR (6" LENGTH)

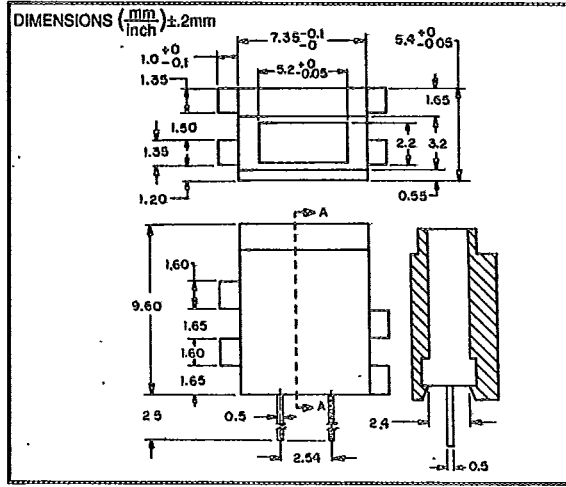
See pages 8 -14 for Max. operating limits and operating curves



SSL-LXH111XX SERIES 2.5mm STACKABLE ARRAY UNIMOUNTED

FEATURES		APPLICATIONS		MATERIAL SPECIFICATIONS		
<ul style="list-style-type: none"> • Easy Installation • High Contrast Holder • Four Color Options 		<ul style="list-style-type: none"> • Front Panel Indicator • Status Annunciator • Go-No Go Condition Indicators • Dot Matrix Displays 		<ul style="list-style-type: none"> • Holder: Black Nylon • Terminations: 0.5mm □ Leads Insulated Leads Available • Installation: P.C. Cut-out 		
LUMEX PART NBR	EMITTED COLOR	OPERATING CURRENT (mA)	OPERATING TYP Volts (V)	BRIGHTNESS TYP (mCd) @	LED SERIES USED	
SSI-LXH111ID	RED	635	10-25	2.1	8 20	SSL-LX2573XX
SSI-LXH111SRD	RED	660	10-25	1.7	25 20	SSL-LX2573XX
SSI-LXH111GD	GREEN	565	10-25	2.1	8 20	SSL-LX2573XX
SSI-LXH111YD	YELLOW	585	10-25	2.1	8 20	SSL-LX2573XX

See pages 8 -14 for Max. operating limits and operating curves



SSL-LX2581XX SERIES 2.5mm RECTANGULAR LEADS

FEATURES		APPLICATIONS		OPTIONS AVAILABLE	
<ul style="list-style-type: none"> • Four Color Options • Low Cost Package • Long Life/Low Power 		<ul style="list-style-type: none"> • Panel Indicators • Status Illuminators • Array Assemblies 		<ul style="list-style-type: none"> • Add-on Spacers • Array Assembly Holders 	
LUMEX PART NBR	EMITTED COLOR	EPOXY LENS COLOR	BRIGHTNESS TYP (mcd)	VIEW ANGLE	VI@20mA
SSL-LX2581ID	RED	RED DIFF.	6	20 80	2.0 2.8
SSL-LX2581SRD	RED	RED DIFF.	24	20 80	1.7 2.2
SSL-LX2581GD	GREEN	GREEN DIFF.	6	20 80	2.1 2.8
SSL-LX2581YD	YELLOW	YELLOW DIFF.	6	20 80	2.1 2.8

See pages 8 -14 for Max. operating limits and operating curves

