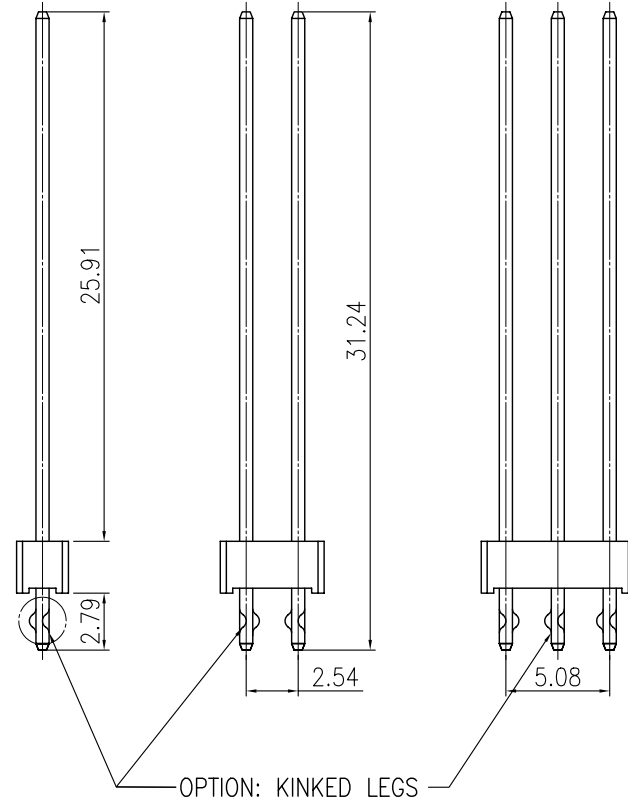
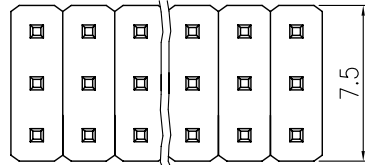
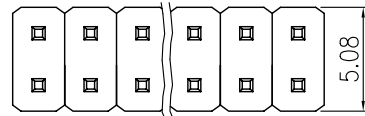
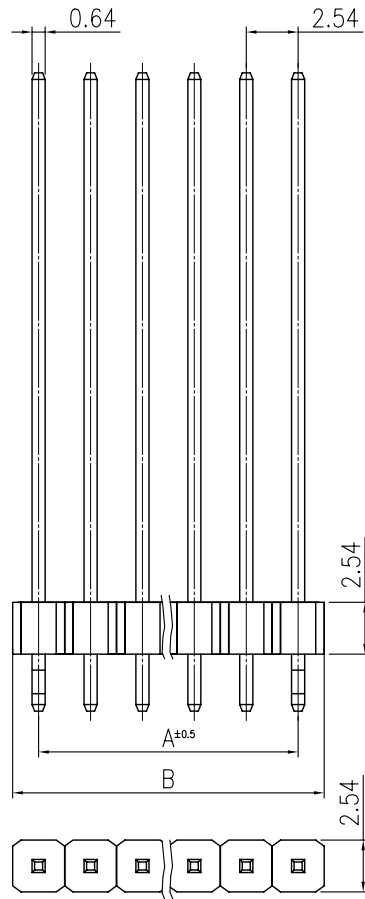


V1.1

REVISIONS							
SYM	DISCRIPTION	DATE	APPROVED	SYM	DISCRIPTION	DATE	APPROVED
△				△			
△				△			

****CUSTOMER DRAWING FOR REFERENCE ONLY, SAMPLES APPROVAL ARE REQUIRED!!**



OPTION: KINKED LEGS

ORDER INFORMATION:
 PHa020-PXXOXGf
 PH: PIN HEADER
 a: 2.54mmX2.54mm PITCH
 020: SERIES NO.
 P: PCB TYPE STRAIGHT
 XX: NO. OF PINS PER ROW
 OX: NO. OF ROW
 Gf: TERMINAL PLATING, GOLD FLUSH
 K: KINKED PINS(OPTION)

SPECIFICATION
 CURRENT RATING : 3 A
 INSULATOR RESISTANCE: 5000MΩ MIN.
 DIELECTRIC WITHSTANDING : AC 500V.
 OPERATING TEMPERATURE: -40°C~+105°C.
 CONTACT MATERIAL : BRASS
 INSULATOR MATERIAL : STANDARD : P.B.T
 FINISH : GOLD FLASH

PART NO.	CIRCUITS	DIMENSION	
		A	B
PHa020-P020_Gf	_X2	2.54	5.08
PHa020-P030_Gf	_X3	5.08	7.62
PHa020-P040_Gf	_X4	7.62	10.16
PHa020-P050_Gf	_X5	10.16	12.70
PHa020-P060_Gf	_X6	12.70	15.24
PHa020-P070_Gf	_X7	15.24	17.78
PHa020-P080_Gf	_X8	17.78	20.32
PHa020-P090_Gf	_X9	20.32	22.86
PHa020-P100_Gf	_X10	22.86	25.40
PHa020-P110_Gf	_X11	25.40	27.94
PHa020-P120_Gf	_X12	27.94	30.48
PHa020-P130_Gf	_X13	30.48	33.02
PHa020-P140_Gf	_X14	33.02	35.56
PHa020-P150_Gf	_X15	35.56	38.10
PHa020-P160_Gf	_X16	38.10	40.64
PHa020-P170_Gf	_X17	40.64	43.18
PHa020-P180_Gf	_X18	43.18	45.72
PHa020-P190_Gf	_X19	45.72	48.26
PHa020-P200_Gf	_X20	48.26	50.80
PHa020-P210_Gf	_X21	50.80	53.34
PHa020-P220_Gf	_X22	53.34	55.88
PHa020-P230_Gf	_X23	55.88	58.42
PHa020-P240_Gf	_X24	58.42	60.96
PHa020-P250_Gf	_X25	60.96	63.50
PHa020-P260_Gf	_X26	63.50	66.04
PHa020-P270_Gf	_X27	66.04	68.58
PHa020-P280_Gf	_X28	68.58	71.12
PHa020-P290_Gf	_X29	71.12	73.66
PHa020-P300_Gf	_X30	73.66	76.20
PHa020-P310_Gf	_X31	76.20	78.74
PHa020-P320_Gf	_X32	78.74	81.28
PHa020-P330_Gf	_X33	81.28	83.82
PHa020-P340_Gf	_X34	83.82	86.36
PHa020-P350_Gf	_X35	86.36	88.90
PHa020-P360_Gf	_X36	88.90	91.44
PHa020-P370_Gf	_X37	91.44	93.98
PHa020-P380_Gf	_X38	93.98	96.52
PHa020-P390_Gf	_X39	96.52	99.06
PHa020-P400_Gf	_X40	99.06	101.6

TOLERANCES UNLESS OTHERWISE SPECIFIED ±0.25	SIGNATURES		DATE	MODEL
	DRAWN	TONY	27/NOV/02'	TITLE
	CHECKED	ZOLA	27/NOV/02'	NO.
SYMBOL	UNIT	SCALE	APPROVALS	
△	mm	4/1	PHa020-P__0_Gf	

MMT CORPORATION