

SPECIFICATIONS

Mechanical

Contact Retention Force: 2.0kg min.

Electrical

Voltage Rating: 250V

Current Rating: 2.0A

Contact Resistance: 20mW max.

Dielectric Withstanding Voltage: 750V AC

Insulation Resistance: 1000MW

Physical

Housing: Thermoplastic, UL 94V-0 rated in Nature Color

Contact: Brass

Plating: See "ORDERING INFORMATION"

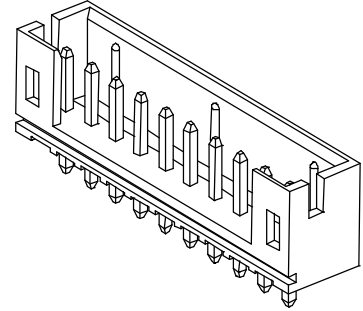
Operating Temperature: -40 to +105

Wire-to-Board Header

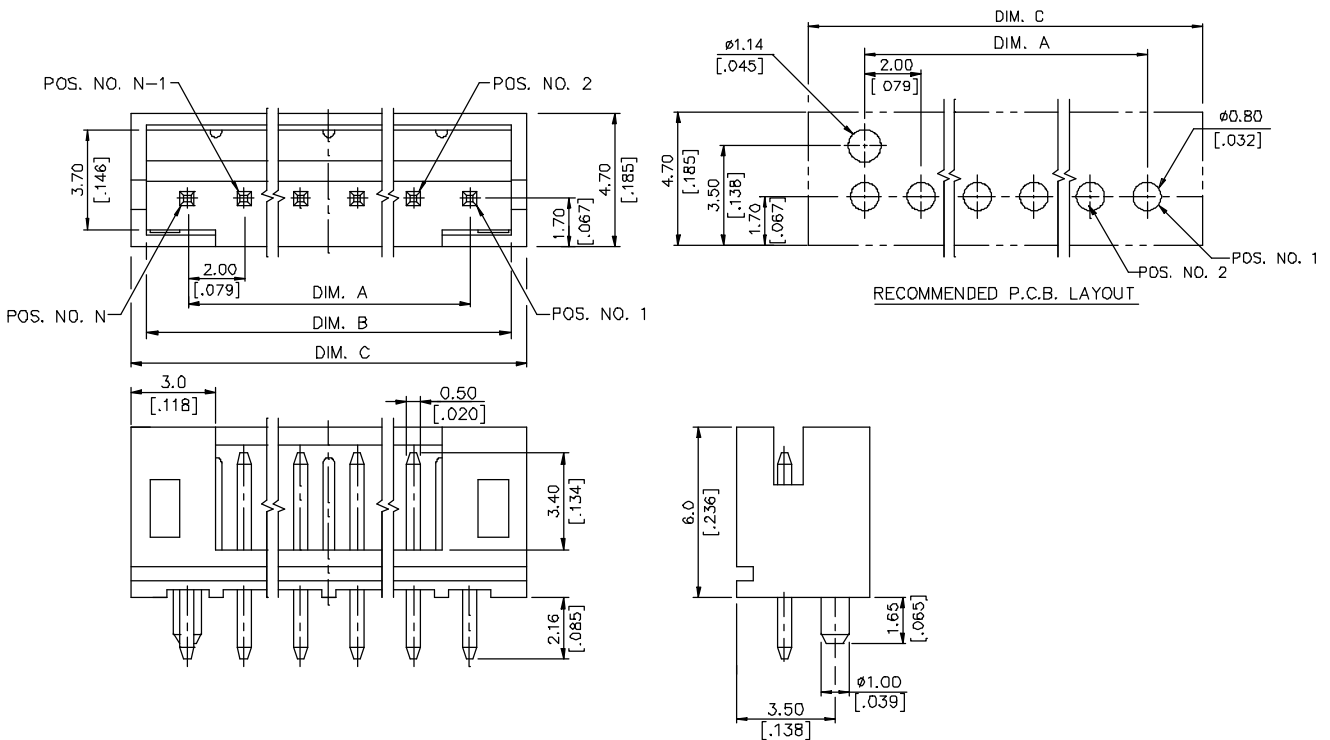
HF55 Series

Vertical, T/H Type

2.00mm [.079"] Pitch



DRAWING



ORDERING INFORMATION

PRODUCT NO.: H F 55 ** 0 - C1

Header _____
 Friction Lock _____
 Termination & Contact Type _____
 No. of Single Row Pos. _____
 02=02 Pos.
 08=08 Pos.
 10=10 Pos.

Modification Code
 C1=One Guide Post;Contact Tail Without Kink
 Contact Area Plating
 0=Tin/Lead

HF55100-C1	10	18.00 [.709]	21.0 [.827]	22.00 [.866]
HF55080-C1	8	14.00 [.551]	17.0 [.699]	18.00 [.709]
HF55070-C1	7	12.00 [.472]	15.0 [.591]	16.00 [.630]
HF55060-C1	6	10.00 [.394]	13.0 [.512]	14.00 [.551]
HF55050-C1	5	8.00 [.315]	11.0 [.433]	12.00 [.472]
HF55040-C1	4	6.00 [.236]	9.0 [.354]	10.00 [.394]
HF55030-C1	3	4.00 [.157]	7.0 [.276]	8.00 [.315]
HF55020-C1	2	2.00 [.079]	5.0 [.197]	6.00 [.236]
P/N	POS.	DIM. A	DIM. B	DIM. C