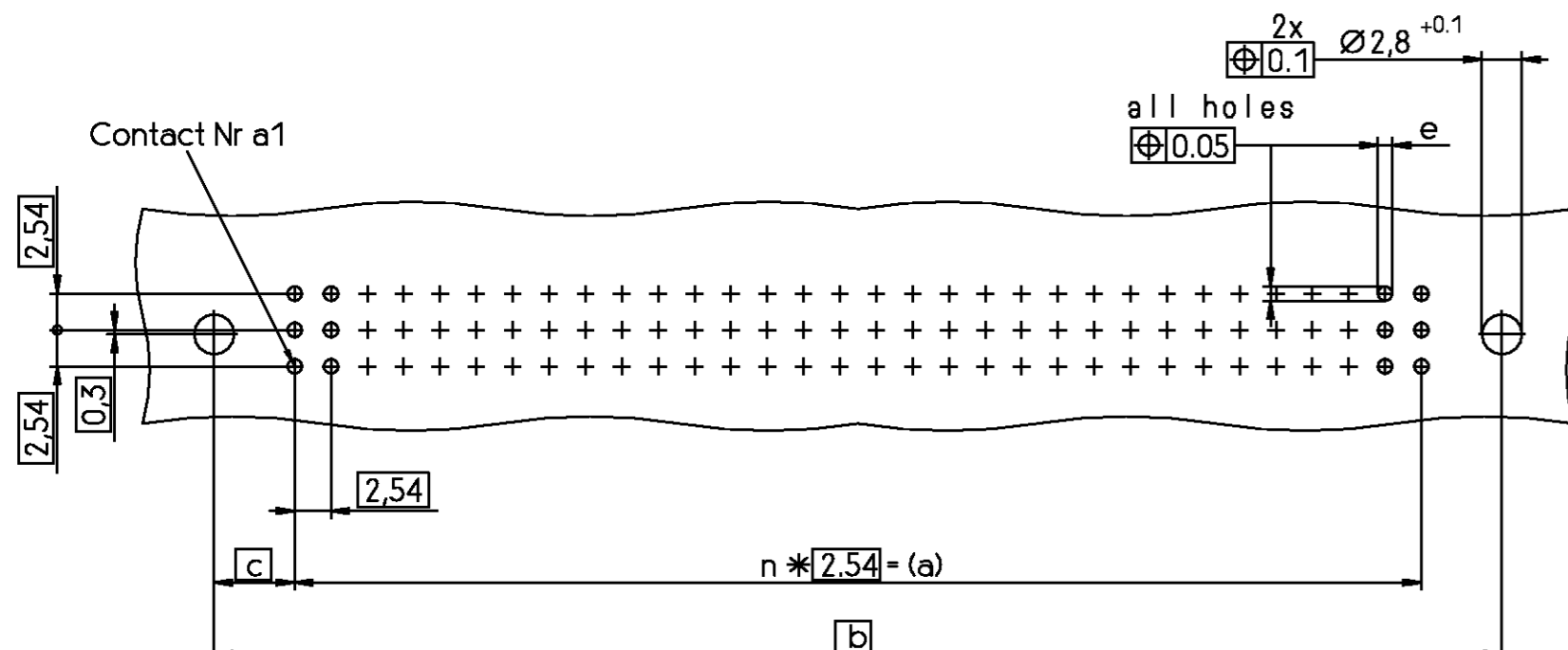


Housing material: PBTP 30% glassfilled (UL94V-0) pebble grey (similar RAL 7032)

Housing material: PBTP 30% glassfilled (UL94V-0) pebble grey (similar RAL 7032)

Housing material: PBTP 30% glassfilled (UL94V-0) pebble grey (similar RAL 7032)

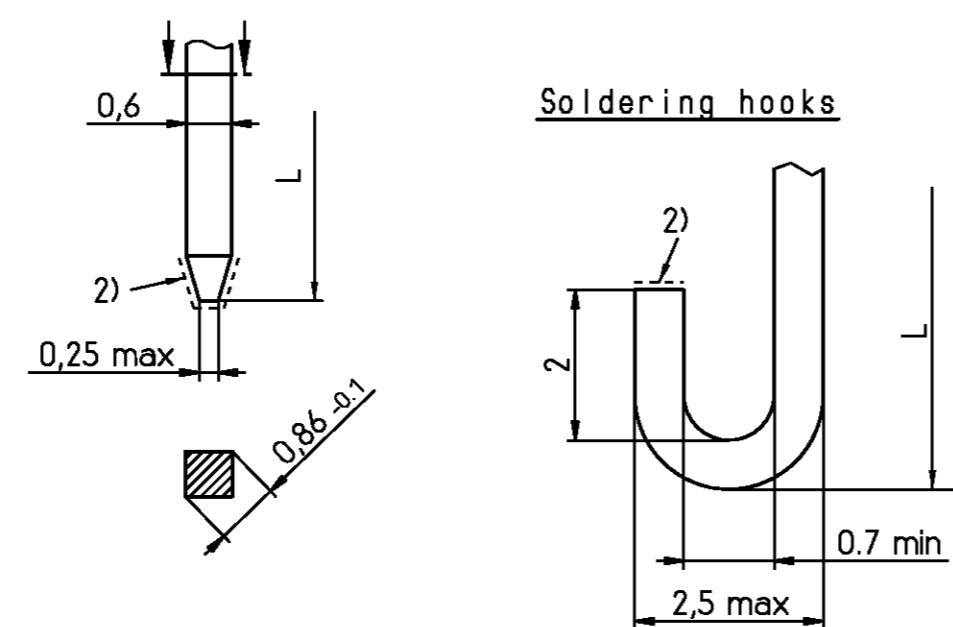
Mounting holes in PCB



Type	n	a	b	c	e	Termination
Q	R	31	78.74	88.9	5.63	1.0±0.1 solder
Q/2	R/2	15	38.1	48.26	5.95	1.0±0.1 wire wrap
Q/3	R/3	9	22.86	33.02	5.95	

Termination Styles

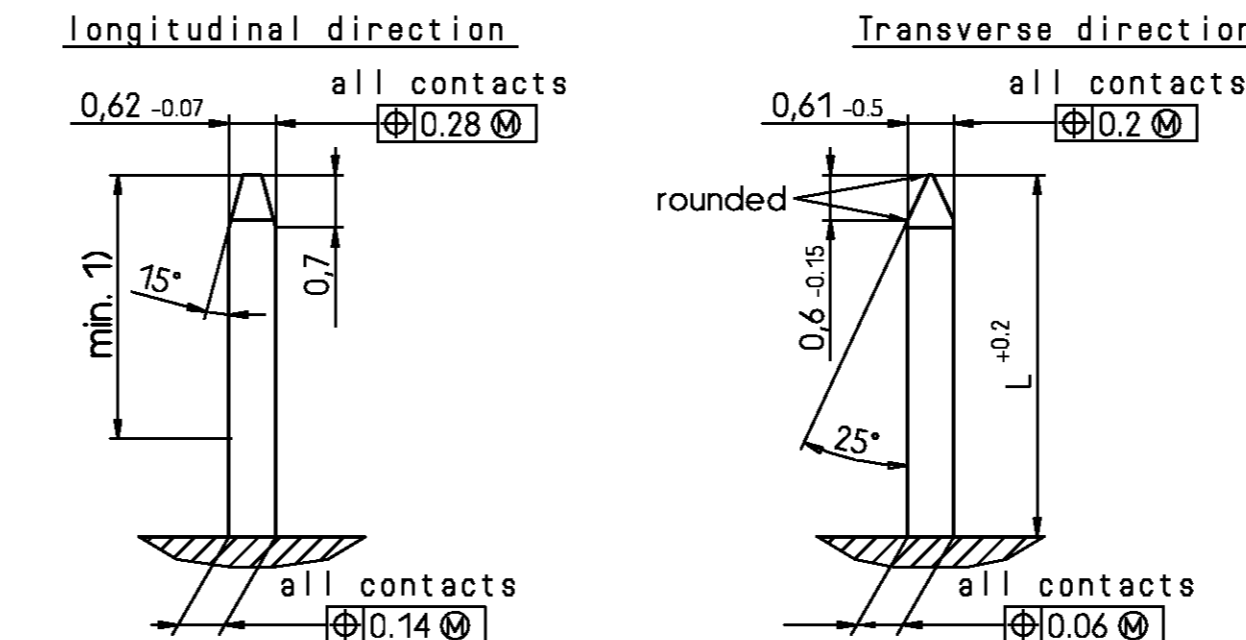
Soldering for PCB holes 1mm, Wire wrap pins and Pressfit pins (1)



- Pressfit according to IEC 352-5
  - Cutting edges not plated (Terminationstrip for adapter plugging fully plated)
- Terminations
- with galvanic SnPb plating
  - for contacts with insertion-area for adapter-plugging: PdNi + Au or Au plated, see next box

Termination	L	Code
Soldering for PCB holes 1mm	2.9 ± 0.3	01
	4.5 ± 0.3	02
	6.3 ± 0.3	03
Wire wrap pin	13 ± 0.5	40
Soldering hooks	5.5 ± 0.3	30
	10 ± 0.5	

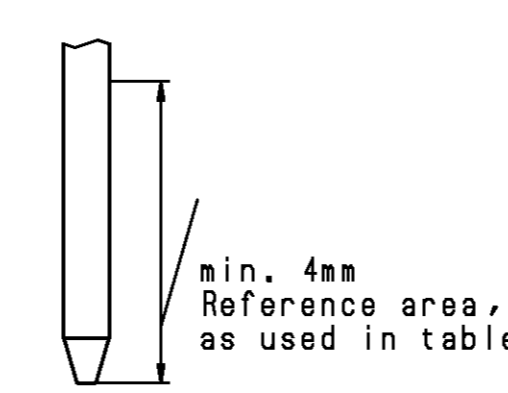
Contact : Dimensions, plating, material, pre-mating



	L	A
normal contacts	4.8	3.5
pre-mating contacts	5.8	4.5

1) Reference area as used in table

Termination Contact for adapter-plugging



Performance Level

Performance level	Noble metals	Code
Class I	PdNi + Au or Au	1
	Au	4
Class II	PdNi + Au or Au	2
Class III	PdNi + Au or Au	3

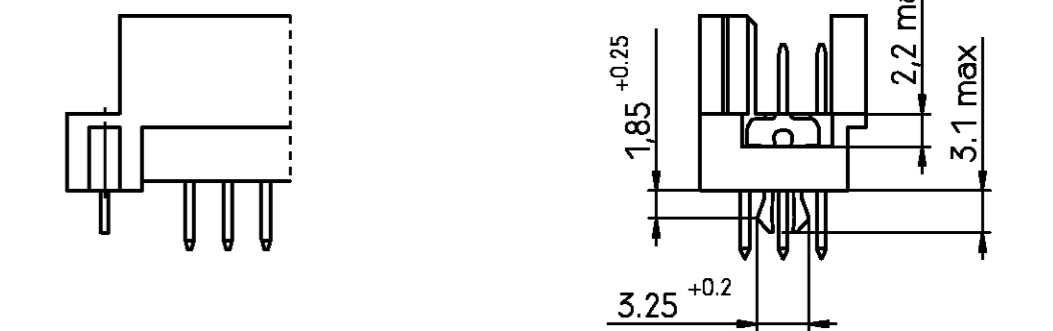
Nickel underlayer, Protection film: HF-grease

Performance level	Noble metals
Class II	PdNi + Au or Au

V42254-B1\*\*\*-R\*\*\*

Code for performance level  
Code for termination style  
Style, no of contacts and contact assignment see page 3

Male connector with board locks

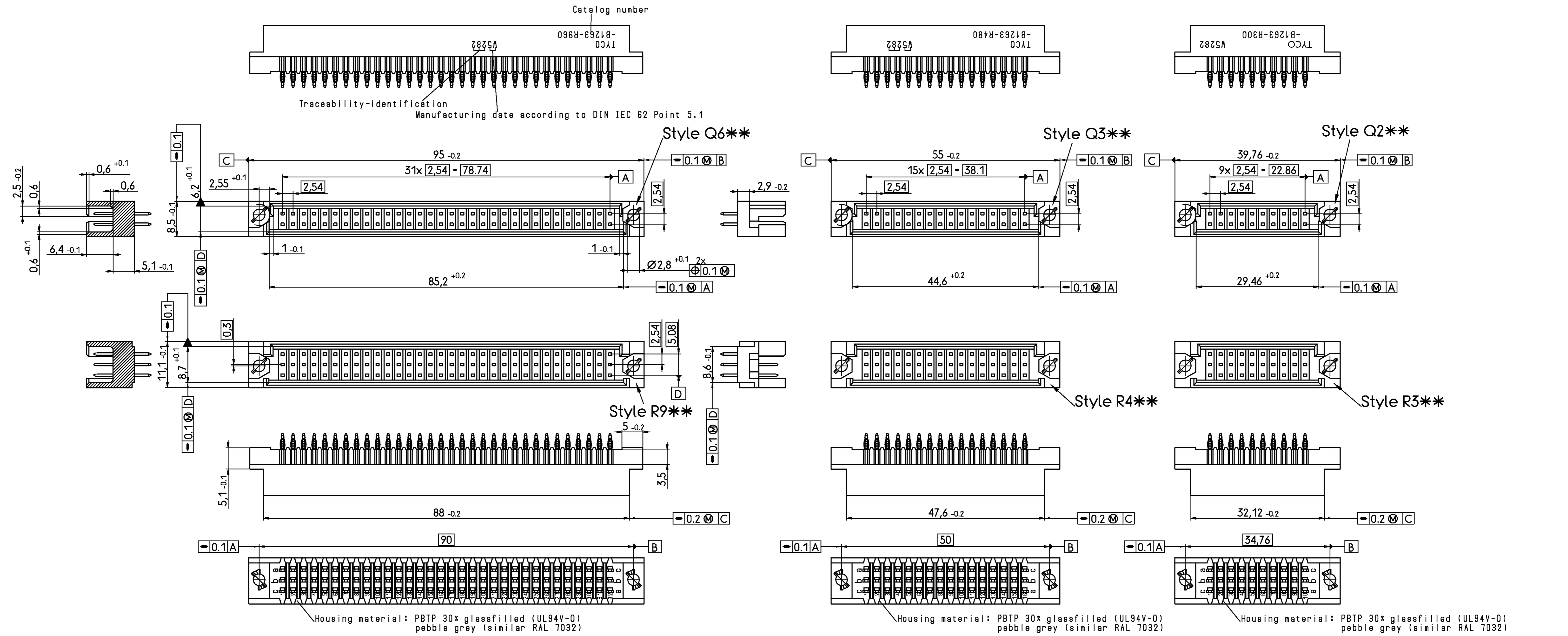


Fm < 60 N  
Fr > 20 N  
Fr > 200 N, wenn soldered-in



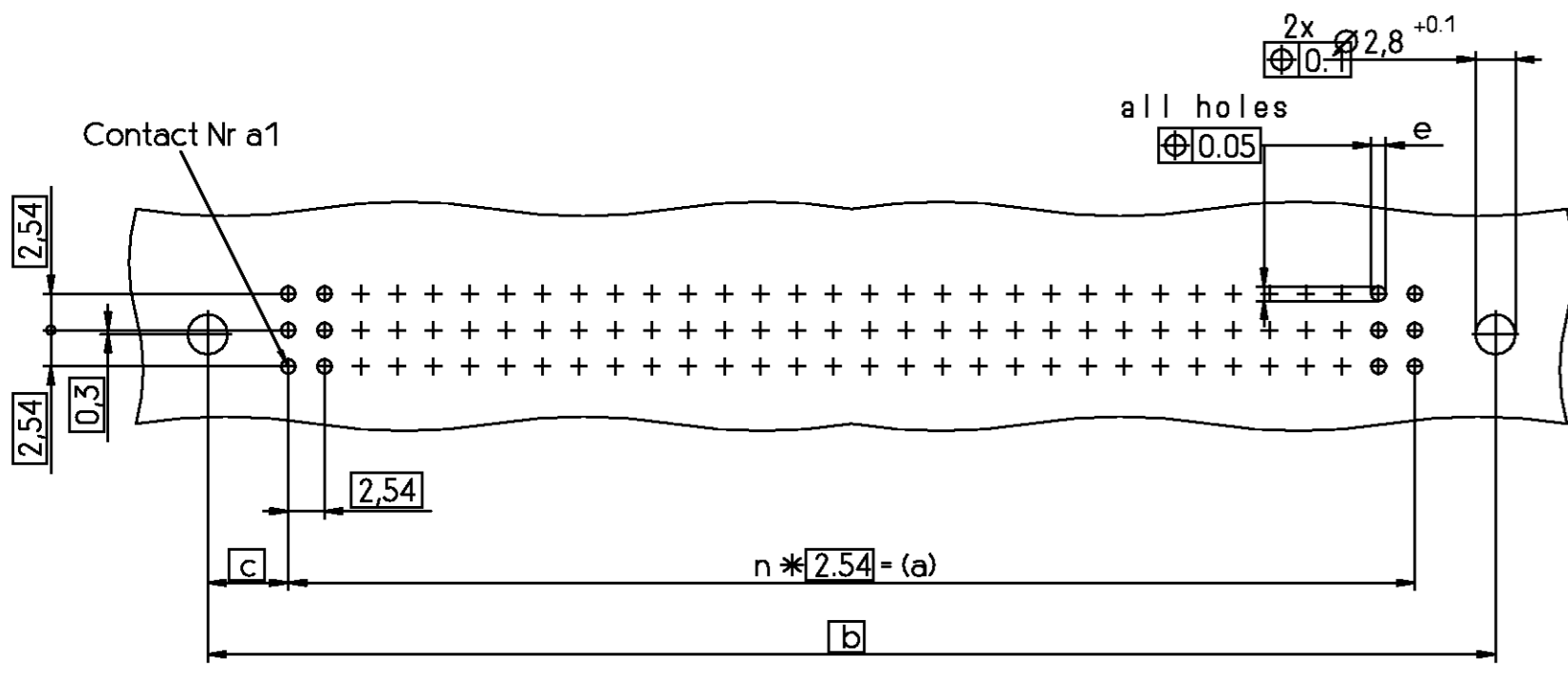
<b>tyco</b> TYCO ELECTRONICS CORPORATION		SCALE		WEIGHT	
ELECTRONICS		DIMENSIONS IN MM		MATERIAL	
OOSTKAMP - BELGIUM		LOC 15V1		PART NAME	
DATE: 21.02.89		NAME: C. Vetter		Pin Assembly Eurocard	
DEP: PD.COM		TOLERANCE UNLESS SPECIFIED OTHERWISE		Types Q and R and short versions	
REV. CHANGE ORDER		DATE		APP. Customer Drawing Nr. C9-1395501-4	
SR10-0198-01 21.05.01 BC		SR10-0163-01 03.05.01 BC		SR10-0112-01 15.03.01 BC	
SR10-0060-01 15.02.01 BC		SR10-0019-01 12.01.01 BC		WO 00/7012 20.07.00 VVS	
WO 99/1011 10.12.98 CUV				PART NO. V42254-B1***-R***-7626	
				SHT. 1+	
				OF 3	

THIS INFORMATION IS CONFIDENTIAL AND PROPRIETARY TO TYCO ELECTRONICS CORPORATION AND ITS WORLDWIDE SUBSIDIARIES AND AFFILIATES. IT MAY NOT BE DISCLOSED TO ANYONE, OTHER THAN TYCO ELECTRONICS CORPORATION, WITHOUT WRITTEN AUTHORIZATION FROM TYCO ELECTRONICS CORPORATION, HARRISBURG, PENNSYLVANIA USA.



Housing material: PBTP 30% glassfilled (UL94V-0) pebble grey (similar RAL 7032)

### Mounting holes in PCB

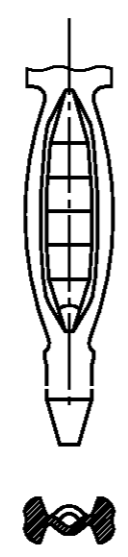


Type	n	a	b	c	e	Termination
Q	R	31	78.74	88.9	5.63	0.94+0.15 pressfit 1)
Q/2	R/2	15	38.1	48.26	5.95	
Q/3	R/3	9	22.86	33.02	5.95	

1) acc. to IEC352-5

### Termination Styles

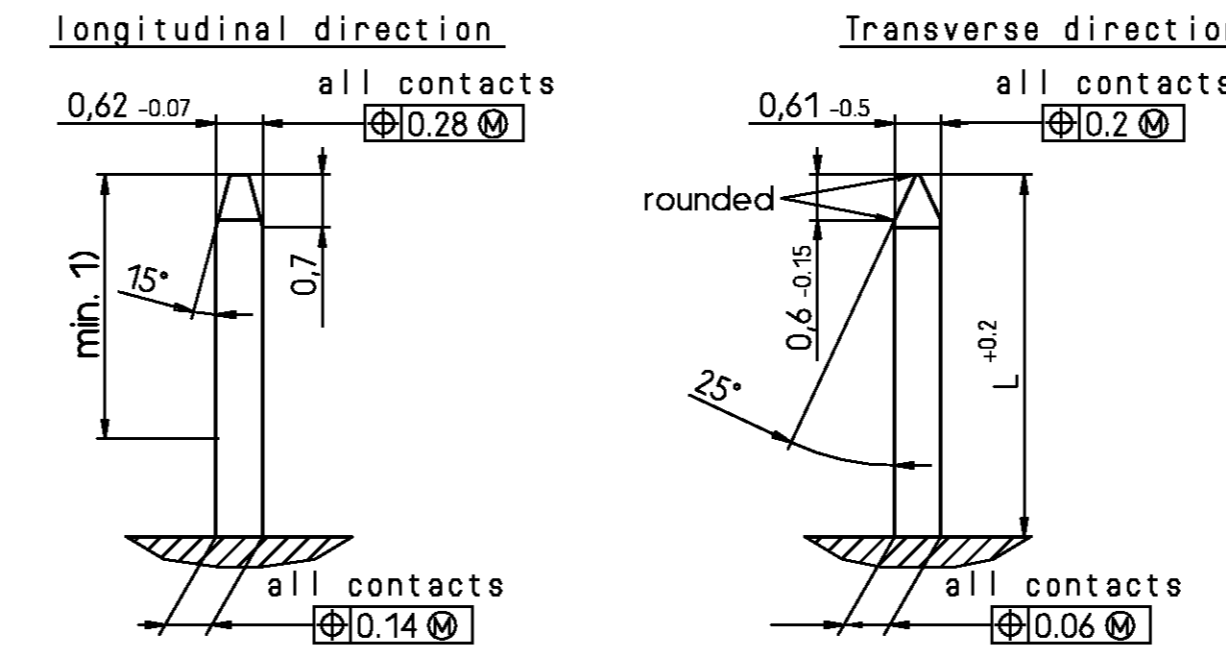
Pressfit (acc. to IEC 352-5)



Pressfit area with galvanic SnPb plating

Termination Style	L	Code
Pressfit	4 +0.5	63
Pressfit-wire-wrap pins	6 +0.5	70
Pressfit-wr pins for adapter plugging	13 +0.5	60
	17 +0.5	61
	13 +0.5	66
	20 +0.5	68

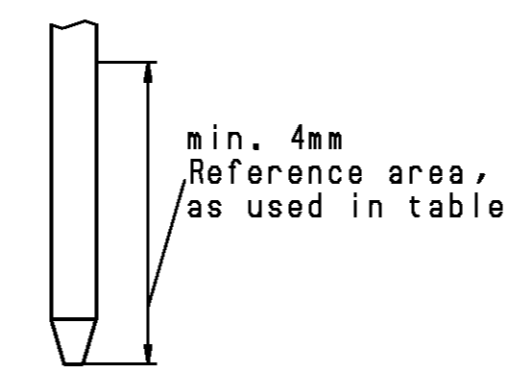
### Contact : Dimensions, plating, material, pre-mating



	L	A
normal contacts	4.8	3.5
pre-mating contacts	5.8	4.5

1) Reference area as used in table

### Termination Contact for adapter-plugging



### Performance Level

Performance level	Noble metals	Code
Class I	PdNi + Au or Au	1
	Au	4
Class II	PdNi + Au or Au	2
Class III	PdNi + Au or Au	3

Nickel underlayer. Protection film: HF-grease

Performance level	Noble metals
Class II	PdNi + Au or Au

V42254-B1\*\*\*-R\*\*\*

Code for performance level

Code for termination style

Style, no of contacts and contact assignment see page 3

THIS INFORMATION IS CONFIDENTIAL AND PROPRIETARY TO TYCO ELECTRONICS CORPORATION AND ITS WORLDWIDE SUBSIDIARIES AND AFFILIATES. IT MAY NOT BE DISCLOSED TO ANYONE, OTHER THAN TYCO ELECTRONICS CORPORATION, WITHOUT WRITTEN AUTHORIZATION FROM TYCO ELECTRONICS CORPORATION, HARRISBURG, PENNSYLVANIA USA.

<b>tyco</b> TYCO ELECTRONICS CORPORATION OOSTKAMP - BELGIUM			SCALE: DIMENSIONS IN MM			WEIGHT: MATERIAL:		
<b>Electronics</b>			LOC 65VI			PART NAME: Pin Assembly Eurocard		
F SR10-0198-01 21.05.01 BC DATE 21.02.89			NAME Cuweller			Types Q and R and short versions		
E SR10-0163-01 03.05.01 BC			DEP PD.COM			PART NO. V42254-B1***-R***-*-7626		
D SR10-0112-01 15.03.01 BC			TOLERANCE UNLESS SPECIFIED OTHERWISE			SHT. 2+		
C SR10-0060-01 15.02.01 BC			APP. Customer Drawing Nr. C9-1395501-4			REV. 05 WO 99/1011 10.12.98 CUW		
B SR10-0019-01 12.01.01 BC			DATE			APP.		
A WO 00/7012 20.07.00 VVS			DATE			APP.		
REV. CHANGE ORDER			DATE			APP.		

Old Part Number	Tyco Part Number	Style & Number of Positions	Termination posts	Loaded Rows	Standard Pre-Mating 1mm 2)	Performance Level	Board Locks	
V42254B1101Q210	1393659-2	Q20	2.9mm straight solder leads	every row , every pitch	No	1	Yes	
V42254B1101R480	1393659-3	R48	2.9mm straight solder leads	every row , every pitch	No	1	No	
V42254B1101R960	1393659-4	R96	2.9mm straight solder leads	every row , every pitch	No	1	No	
V42254B1101R963	1393659-5	R96	2.9mm straight solder leads	row atc , every pitch	No	1	No	
V42254B1101R968	1393659-6	R96	2.9mm straight solder leads	row atc , every even pitch	No	1	No	
V42254B1102Q200	1393659-7	Q20	4.5mm straight solder leads	every row , every pitch	No	1	No	
V42254B1102Q320	1393659-8	Q32	4.5mm straight solder leads	every row , every pitch	No	1	No	
V42254B1102R480	1393659-9	R48	4.5mm straight solder leads	every row , every pitch	No	1	No	
V42254B1102R960	1-1393659-0	R96	4.5mm straight solder leads	every row , every pitch	No	1	No	
V42254B1102R960H	1-1393659-1	R96	4.5mm straight solder leads	every row , every pitch	No	1	No	
V42254B1103R960	1-1393659-2	R96	6.3mm straight solder leads	every row , every pitch	No	1	No	
V42254B1140Q640	1-1393659-5	Q64	13mm straight wire-wrap pins	every row , every pitch	No	1	No	
V42254B1140R480	1-1393659-6	R48	13mm straight wire-wrap pins	every row , every pitch	No	1	No	
V42254B1161R960	1393658-1	R96	17mm Press-in terminals with wire-wrap	every row , every pitch	No	1	No	
V42254B1201Q200	2-1393659-0	Q20	2.9mm straight solder leads	every row , every pitch	No	2	No	
V42254B1201Q320	2-1393659-1	Q32	2.9mm straight solder leads	every row , every pitch	No	2	No	
V42254B1201Q640	2-1393659-2	Q64	2.9mm straight solder leads	every row , every pitch	No	2	No	
V42254B1201R300	2-1393659-3	R30	2.9mm straight solder leads	every row , every pitch	No	2	No	
V42254B1201R303	2-1393659-4	R30	2.9mm straight solder leads	row atc , every pitch	No	2	No	
V42254B1201R410	2-1393659-5	R48	2.9mm straight solder leads	every row , every pitch	No	2	Yes	
V42254B1201R480	2-1393659-6	R48	2.9mm straight solder leads	every row , every pitch	No	2	No	
V42254B1201R913	2-1393659-7	R96	2.9mm straight solder leads	row atc , every pitch	No	2	Yes	
V42254B1201R960	2-1393659-8	R96	2.9mm straight solder leads	every row , every pitch	No	2	No	
V42254B1201R963	2-1393659-9	R96	2.9mm straight solder leads	row atc , every pitch	No	2	No	
V42254B1201R968	3-1393659-0	R96	2.9mm straight solder leads	row atc , every even pitch	No	2	No	
V42254B1202Q320	3-1393659-1	Q32	4.5mm straight solder leads	every row , every pitch	No	2	No	
V42254B1202Q320N	3-1393659-2	Q32	4.5mm straight solder leads	every row , every pitch	No	2	No	
V42254B1202Q640	3-1393659-4	Q64	4.5mm straight solder leads	every row , every pitch	No	2	No	
V42254B1202R300	3-1393659-5	R30	4.5mm straight solder leads	every row , every pitch	No	2	No	
V42254B1202R303	3-1393659-6	R30	4.5mm straight solder leads	row atc , every pitch	No	2	No	
V42254B1202R410	3-1393659-7	R48	4.5mm straight solder leads	every row , every pitch	No	2	Yes	
V42254B1202R480	3-1393659-9	R48	4.5mm straight solder leads	every row , every pitch	No	2	No	
V42254B1202R483	4-1393659-0	R48	4.5mm straight solder leads	row atc , every pitch	No	2	No	
V42254B1202R910	4-1393659-1	R96	4.5mm straight solder leads	every row , every pitch	No	2	Yes	
V42254B1202R913	4-1393659-2	R96	4.5mm straight solder leads	row atc , every pitch	No	2	Yes	
V42254B1202R930	4-1393659-3	R96	4.5mm straight solder leads	every row , every pitch	Yes	2	No	
V42254B1202R933	4-1393659-4	R96	4.5mm straight solder leads	row atc , every pitch	Yes	2	No	
V42254B1202R960	4-1393659-5	R96	4.5mm straight solder leads	every row , every pitch	No	2	No	
V42254B1202R960N	4-1393659-6	R96	4.5mm straight solder leads	every row , every pitch	No	2	No	
V42254B1202R963	4-1393659-7	R96	4.5mm straight solder leads	row atc , every pitch	No	2	No	
V42254B1202R965	4-1393659-8	R96	4.5mm straight solder leads	every row , every even pitch	No	2	No	
V42254B1202R968	4-1393659-9	R96	4.5mm straight solder leads	row atc , every even pitch	No	2	No	
V42254B1203R963	5-1393659-0	R96	6.3mm straight solder leads	row atc , every pitch	No	2	No	
V42254B1230R303	5-1393659-1	R30	5,5/10mm solder hooks	row atc , every pitch	No	2	No	
V42254B1230R963	5-1393659-4	Q64	13mm straight wire-wrap pins	every row , every pitch	No	2	No	
V42254B1240Q640	5-1393659-6	Q64	13mm straight wire-wrap pins	every row , every pitch	No	2	No	
V42254B1240R300	5-1393659-7	R30	13mm straight wire-wrap pins	every row , every pitch	No	2	No	
V42254B1240R960	5-1393659-8	R96	13mm straight wire-wrap pins	every row , every pitch	No	2	No	
V42254B1240R963	5-1393659-9	R96	13mm straight wire-wrap pins	row atc , every pitch	No	2	No	
V42254B1260R483	1393658-2	R48	13mm Press-in terminals with wire-wrap	row atc , every pitch	No	2	No	
V42254B1260R960	1393658-3	R96	13mm Press-in terminals with wire-wrap	every row , every pitch	No	2	No	
V42254B1260R963	1393658-5	R96	13mm Press-in terminals with wire-wrap	row atc , every pitch	No	2	No	
V42254B1261R480	1393658-7	R48	17mm Press-in terminals with wire-wrap	every row , every pitch	No	2	No	
V42254B1263Q320	9-1393501-4	Q32	3,7mm Press-in terminals	every row , every pitch	No	2	No	
V42254B1263Q640	1393658-9	Q64	3,7mm Press-in terminals	every row , every pitch	No	2	No	
V42254B1263R300	1-1393658-0	R30	3,7mm Press-in terminals	every row , every pitch	No	2	No	
V42254B1263R300*40	1-1393658-1	R30	3,7mm Press-in terminals	every row , every pitch	No	2	No	
V42254B1263R330	9-1393501-5	R30	3,7mm Press-in terminals	every row , every pitch	Yes	2	No	
V42254B1263R480	1-1393658-2	R48	3,7mm Press-in terminals	every row , every pitch	No	2	No	
V42254B1263R483	1-1393658-3	R48	3,7mm Press-in terminals	row atc , every pitch	No	2	No	
V42254B1263R960	1-1393658-4	R96	3,7mm Press-in terminals	every row , every pitch	No	2	No	
V42254B1263R963	1-1393658-5	R96	3,7mm Press-in terminals	row atc , every pitch	No	2	No	
V42254B1266R300	1-1393658-6	R30	13mm Press-in terminals with wire-wrap an adapter	insertion area	every row , every pitch	No	2	No
V42254B1266R483	1-1393658-7	R48	13mm Press-in terminals with wire-wrap an adapter	insertion area	row atc , every pitch	No	2	No
V42254B1266R960	1-1393658-8	R96	13mm Press-in terminals with wire-wrap an adapter	insertion area	every row , every pitch	No	2	No
V42254B1266R963	1-1393658-9	R96	13mm Press-in terminals with wire-wrap an adapter	insertion area	row atc , every pitch	No	2	No
V42254B1270R300	3-1392009-6	R30	6,0mm Press-in terminals for PCB-thickness >=2,2mm	every row , every pitch	No	2	No	
V42254B1270R960	2-1393658-1	R96	6,0mm Press-in terminals for PCB-thickness >=2,2mm	every row , every pitch	No	2	No	
V42254B1270R963	2-1393658-2	R96	6,0mm Press-in terminals for PCB-thickness >=2,2mm	row atc , every pitch	No	2	No	
V42254B1270R968	2-1393658-3	R96	6,0mm Press-in terminals for PCB-thickness >=2,2mm	row atc , every even pitch	No	2	No	

1) First and last contact of each loaded row is a pre-mating (make first / break last) contact.  
2) No company name marked on the connector.

Active Part Numbers.  
Contact Tyco Electronics for other configuration availability.

<b>tyco</b> TYCO ELECTRONICS CORPORATION		SCALE		WEIGHT	
OOSTKAMP - BELGIUM		MATERIAL			
LOC DIMENSIONS IN MM		PART NAME			
DATE 21.02.89		NAME Cuvelier		Pin Assembly Eurocard	
DEP. PE Com		TOLERANCE UNLESS SPECIFIED OTHERWISE		PART NO.	
REV. CHANGE ORDER		DATE		APP. Customer Drawing Nr. C 9-1393501-4	
DATE		APP.		SHT. 3-	
DATE		APP.		cf. 5	

## Current Brand View

[View All Tyco Electronics Brands](#)

Click to activate links to all other products

AMP

**.100 & .200 Centerline DIN 41612 Connectors (Eurocard)****Eurocard Type Q Connectors .100 Centerline - 2 Row**

AMP

1393659-7 -- 2 of 3 products

Active [Active](#)**(Tyco Electronics P/N: 1393659-7)**

<a href="#">Previous</a>	<a href="#">Next</a>	<a href="#">Sales Information</a>	<a href="#">AMP ACES</a>	<a href="#">Step Search Screen</a>
			<a href="#">Related Documents</a>	<a href="#">General Information</a>
			<a href="#">Pricing</a>	<a href="#">Product Availability</a>

Please use the customer drawing for all design activity.

- Customer Drawing: 9-1393501-4, Rev. F**  
 Document Title: Pin Assembly Eurocard, Type Q and R and short versions

[220146.pdf](#) [220146.pdf](#) (341K)
**Searchable Features:**

<b>Brand:</b>	AMP
<b>Mating Type:</b>	Plug
<b>No. of Positions:</b>	20
<b>Size (mm [in]):</b>	Third
<b>PCB Mount Angle:</b>	Vertical
<b>Post Type:</b>	Solder Post
<b>Termination Post Length (mm [in]):</b>	4.50 [.177]
<b>Make First / Break Last:</b>	No
<b>DIN Level:</b>	I

**Other Properties:**

<b>Rows Loaded:</b>	A, B
<b>Contact Material:</b>	Copper Alloy
<b>Housing Material:</b>	30% Glass-Filled Polyester
<b>Color:</b>	Gray
<b>Housing Flammability Rating:</b>	UL 94V-0

- [Home](#)
- [Part Number Search](#)
- [Text Search](#)
- [Alternate Part Search](#)
- [Multiple Part Comparison](#)
- [Alphabetical Search](#)
- [Brand Search](#)
- [Industry Product Search](#)
- [Product Type Search](#)
- [Product Family Search](#)
- [Competitor Cross Reference](#)
- [Document Number Search](#)
- [Lead Free Solutions](#)
- [Help/Glossary](#)

**PCB Retention Feature:** No

---

[Copyright](#) and [Privacy Statement](#)

Visit [Tyco International, Ltd.](#)

[Products](#) | [Brands](#) | [Industries](#) | [Customer Service](#) | [About](#) | [Home](#)