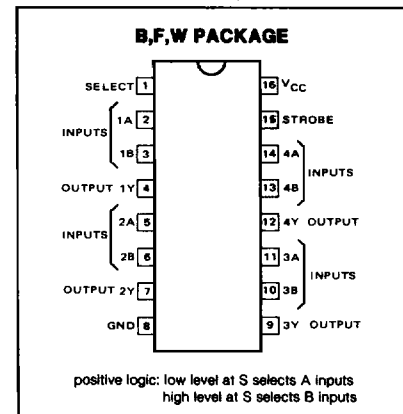


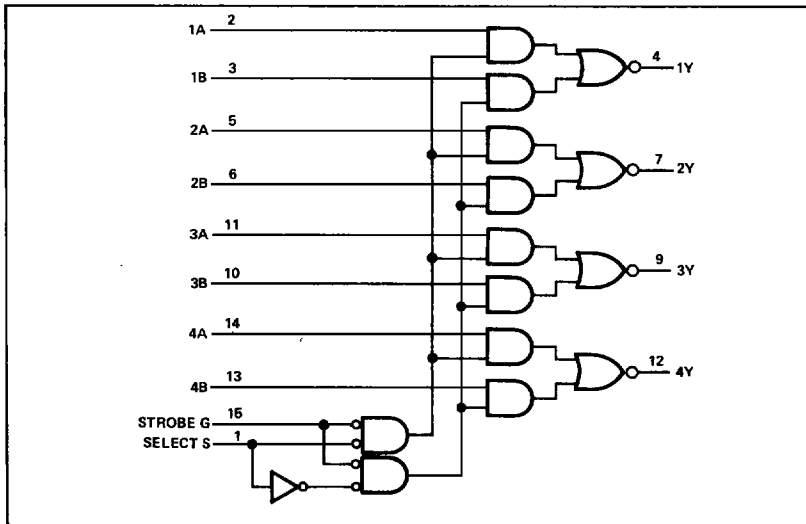
SPEED/PACKAGE AVAILABILITY

54 F,W	74 B,F
54LS F,W	74LS B,F
54S F,W	74S B,F

PIN CONFIGURATION



BLOCK DIAGRAM



TRUTH TABLE

INPUTS				OUTPUT Y
STROBE	SELECT	A	B	
H	X	X	X	H
L	L	L	X	H
L	L	H	X	L
L	H	X	L	H
L	H	X	H	L

H = high level, L = low level, X = irrelevant

SWITCHING CHARACTERISTICS $V_{CC} = 5V, T_A = 25^\circ C$

TEST CONDITIONS				54/74			54/74LS			54/74S			UNIT
				MIN	TYP	MAX	MIN	TYP	MAX	MIN	TYP	MAX	
PARAMETER	FROM INPUT	TO OUTPUT											
Propagation delay time													
t _{PLH}	Low-to-high	Data	Any	9	14	7	12	4	6	ns			
t _{PHL}	High-to-low			9	14	7	12	4	6				
t _{PLH}	Low-to-high	Enable	Any	13	20								
t _{PHL}	High-to-low			14	21								
t _{PLH}	Low-to-high	Select	Any	15	23	13	20	8	12				
t _{PHL}	High-to-low			18	27	16	24	8	12				
t _{PLH}	Low-to-high	Strobe	Any			11	17	6.5	11.5				
t _{PHL}	High-to-low					12	18	7	12				

Load circuit and typical waveforms are shown at the front of section.