

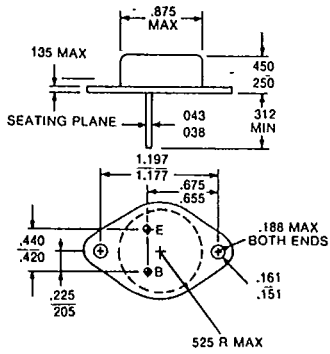
Type	Polarity	I _c Max Amps	V _{CE0} (SUS) Volts	Package
2N3740	PNP	1.0	60	TO-66
2N3741	PNP	1.0	80	TO-66
2N3744	NPN	5.0	30	TO-111
2N3745	NPN	5.0	50	TO-111
2N3746	NPN	5.0	70	TO-111
2N3747	NPN	5.0	30	TO-111
2N3748	NPN	5.0	50	TO-111
2N3749	NPN	5.0	70	TO-111
2N3750	NPN	5.0	30	TO-111
2N3751	NPN	5.0	50	TO-111
2N3752	NPN	5.0	70	TO-111
2N3766	NPN	1.0	60	TO-66
2N3767	NPN	1.0	80	TO-66
2N3788	NPN	2.0	325	TO-3
2N3789	PNP	10.0	60	TO-3
2N3790	PNP	10.0	80	TO-3
2N3791	PNP	10.0	60	TO-3
2N3792	PNP	10.0	80	TO-3
2N3795	PNP	1.0	120	TO-5
2N3846	NPN	20.0	200	TO-63
2N3847	NPN	20.0	300	TO-63
2N3848	NPN	20.0	200	TO-63
2N3849	NPN	20.0	300	TO-63
2N3850	NPN	5.0	80	TO-59
2N3851	NPN	5.0	80	TO-59
2N3852	NPN	5.0	40	TO-59
2N3853	NPN	5.0	40	TO-59
2N3861	NPN	0.025	530	MD-14
2N3867	PNP	3.0	40	TO-39/TO-5
2N3868	PNP	3.0	60	TO-39/TO-5
2N3878	NPN	4.0	50	TO-66
2N3879	NPN	7.0	75	TO-66
2N3902	NPN	2.5	325	TO-3
2N3917	NPN	2.0	40	TO-3
2N3918	NPN	2.0	40	TO-3
2N3919	NPN	10.0	60	TO-3
2N3920	NPN	10.0	60	TO-3
2N3996	NPN	5.0	80	TO-111
2N3997	NPN	5.0	80	TO-111
2N3998	NPN	5.0	80	TO-59
2N3999	NPN	5.0	80	TO-59
2N4000	NPN	1.0	80	TO-5
2N4001	NPN	1.0	100	TO-5
2N4002	NPN	30.0	80	TO-63
2N4003	NPN	30.0	100	TO-63
2N4063	NPN	1.0	350	MD-14
2N4064	NPN	1.0	250	MD-14
2N4070	NPN	10.0	100	TO-3
2N4071	NPN	10.0	150	TO-3
2N4075	NPN	3.0	80	TO-111
2N4076	NPN	3.0	80	TO-111
2N4111	NPN	5.0	60	TO-3
2N4112	NPN	5.0	60	TO-3
2N4113	NPN	5.0	80	TO-3
2N4114	NPN	5.0	80	TO-3

Type	Polarity	I _c Max Amps	V _{CE0} (SUS) Volts	Package
2N4115	NPN	5.0	80	TO-111
2N4116	NPN	5.0	80	TO-111
2N4150	NPN	5.0	70	TO-39/TO-5
2N4210	NPN	20.0	60	TO-63
2N4211	NPN	20.0	80	TO-63
2N4231	NPN	3.0	40	TO-66
2N4231A	NPN	3.0	40	TO-66
2N4232	NPN	3.0	60	TO-66
2N4232A	NPN	3.0	60	TO-66
2N4233	NPN	3.0	80	TO-66
2N4233A	NPN	3.0	80	TO-66
2N4240	NPN	5.0	400(V _{CE0})	TO-66
2N4271	NPN	1.0	140	TO-5
2N4272	NPN	2.5	140	TO-5
2N4273	NPN	2.5	140	TO-66
2N4296	NPN	1.0	250	TO-66
2N4297	NPN	1.0	250	TO-66
2N4298	NPN	1.0	350	TO-66
2N4299	NPN	1.0	350	TO-66
2N4300	NPN	2.0	80	TO-5
2N4301	NPN	10.0	80	TO-61
2N4305	NPN	5.0	80	TO-5
2N4307	NPN	5.0	60	TO-5
2N4309	NPN	5.0	80	TO-5
2N4311	NPN	5.0	60	TO-5
2N4387	PNP	2.0	40	TO-66
2N4388	PNP	2.0	60	TO-66
2N4395	NPN	5.0	40	TO-3
2N4396	NPN	5.0	60	TO-3
2N4398	PNP	30.0	40	TO-3
2N4399	PNP	30.0	60	TO-3
2N4863	NPN	2.0	120	TO-5
2N4864	NPN	2.0	120	TO-66
2N4865	NPN	90.0	80	TO-114
2N4866	NPN	90.0	120	TO-114
2N4877	NPN	4.0	60	TO-39/TO-5
2N4898	PNP	1.0	40	TO-66
2N4899	PNP	1.0	60	TO-66
2N4900	PNP	1.0	80	TO-66
2N4901	PNP	5.0	40	TO-3
2N4902	PNP	5.0	60	TO-3
2N4903	PNP	5.0	80	TO-3
2N4904	PNP	5.0	40	TO-3
2N4905	PNP	5.0	60	TO-3
2N4906	PNP	5.0	80	TO-3
2N4910	NPN	1.0	40	TO-66
2N4911	NPN	1.0	60	TO-66
2N4912	NPN	1.0	80	TO-66
2N4913	NPN	5.0	40	TO-3
2N4914	NPN	5.0	60	TO-3
2N4915	NPN	5.0	80	TO-3
2N4930	PNP	0.05	200	TO-39/TO-5
2N4931	PNP	0.05	250	TO-39/TO-5
2N4950	NPN	70.0	60	TO-114
2N4998	NPN	2.0	80	TO-111

For additional JEDEC 2NXXXX, see numerical index on page 9.

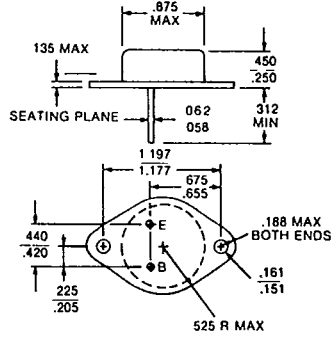
PACKAGE DESCRIPTIONS AND OUTLINE DRAWINGS

TO-3 PACKAGE



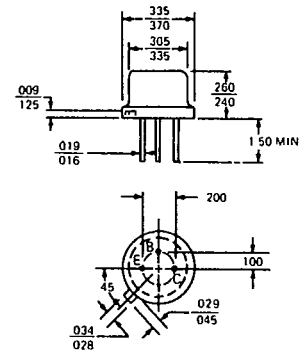
Collector is connected to case.

MODIFIED TO-3 PACKAGE
(60 mil pins)



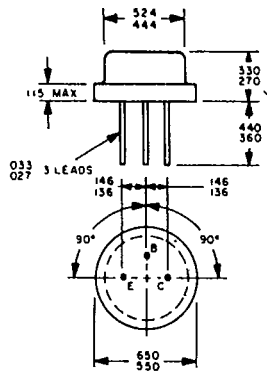
Collector is connected to case.

TO-5 PACKAGE



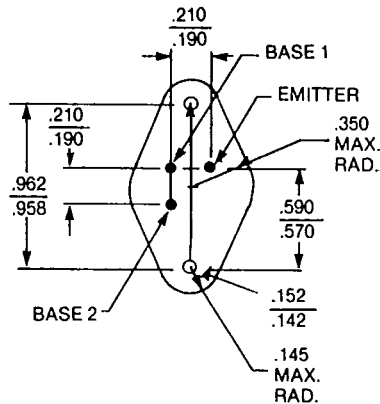
Collector is connected to case.

TO-8 PACKAGE



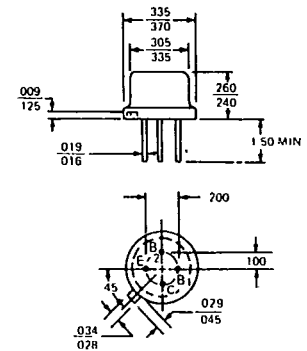
Collector is connected to case.

F-24 PACKAGE
(3-LEADED TO-66)



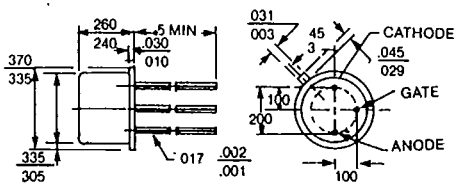
Collector is connected to case.

TO-33 PACKAGE



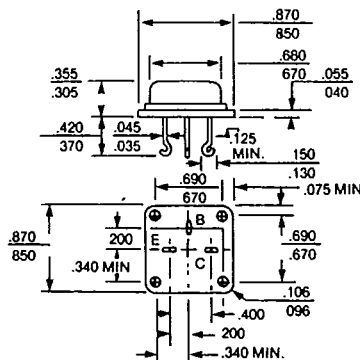
Collector is connected to case.

TO-39 PACKAGE



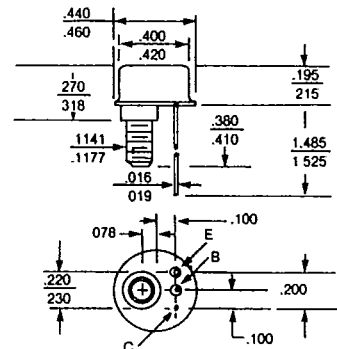
Collector is connected to case.

TO-53 PACKAGE



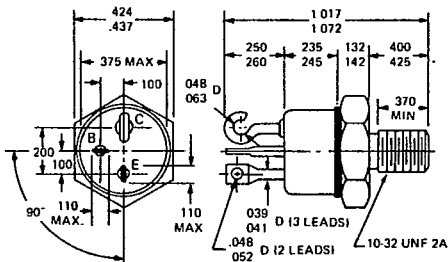
Collector is connected to case.

TO-57 PACKAGE



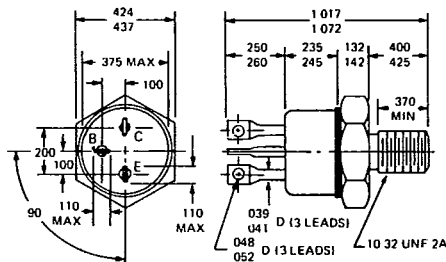
Collector is connected to case.

TO-59 PACKAGE



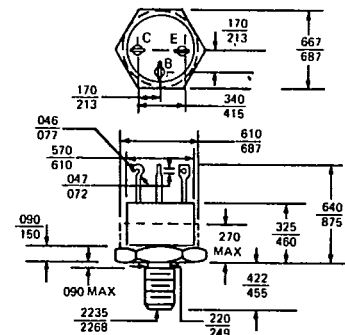
Collector is connected to case.

TO-59 PACKAGE ISOLATED COLLECTOR



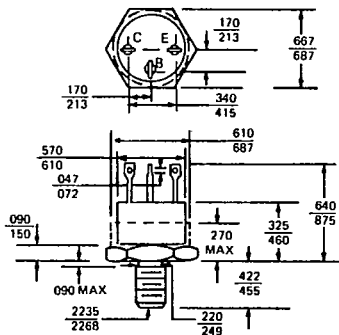
Collector is electrically isolated from case.

TO-61 PACKAGE



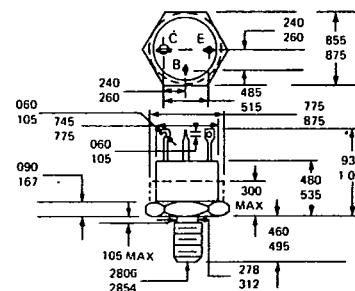
Collector is connected to case.

TO-61 PACKAGE ISOLATED COLLECTOR



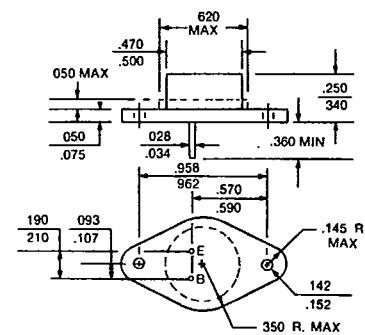
Collector is electrically isolated from case.

TO-63 PACKAGE



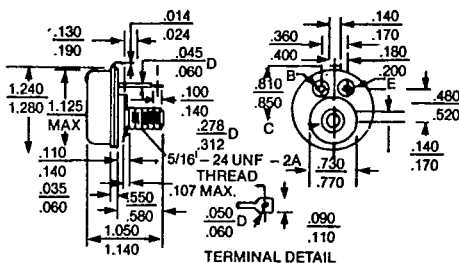
Collector is connected to case.

TO-66 PACKAGE



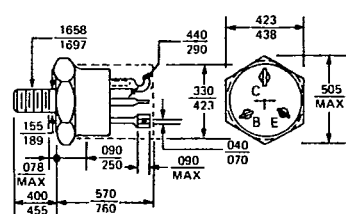
Collector is connected to case.

TO-82 PACKAGE



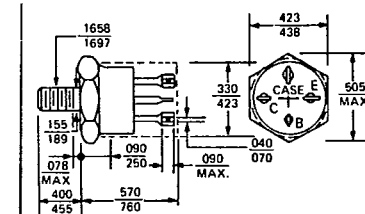
Collector is connected to case.

TO-111 PACKAGE



Collector is connected to case.

TO-111 PACKAGE ISOLATED COLLECTOR



Collector is electrically isolated from case.