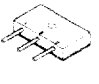



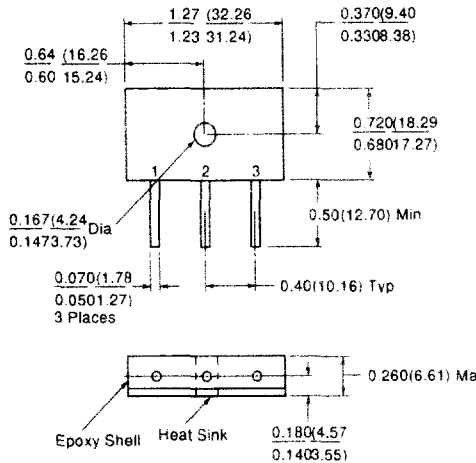
HIGH CURRENT HERMETIC SCHOTTKY POWER MODULES

DUAL												
TYPE NUMBER ③	PEAK INVERSE VOLTAGE	MAXIMUM AVERAGE DC OUTPUT CURRENT T _C = 100°C	PEAK 1 CYCLE SURGE CURRENT ①	MAXIMUM PEAK FORWARD VOLTAGE (PULSED) PER LEG				MAXIMUM REVERSE CURRENT @ PIV		MAXIMUM JUNCTION CAPAC. PER LEG V _r = 5V	MAXIMUM THERMAL RESIS. PER LEG R _{θJC}	PKG. STYLE
				25°		125°C		25°C	125°C			
				V	A	V	A	mA	mA			
Volts	Amps	Amps						pF	°C/W			
SHD1225P	30	150	1000	.49	50	.46	50	7.5	② 400	7500	0.4	
SHD1225N	30	150	1000	.49	50	.46	50	7.5	400	7500	0.4	
SHD1225D	30	150	1000	.49	50	.46	50	7.5	400	7500	0.4	
SHD1226P	45	150	1000	.64	50	.61	50	5.0	150	5000	0.4	
SHD1226N	45	150	1000	.64	50	.61	50	5.0	150	5000	0.4	
SHD1226D	45	150	1000	.64	50	.61	50	5.0	150	5000	0.4	
SHD1227P	100	150	1000	.79	50	.74	50	5.0	150	2700	0.4	
SHD1227N	100	150	1000	.79	50	.74	50	5.0	150	2700	0.4	
SHD1227D	100	150	1000	.79	50	.74	50	5.0	150	2700	0.4	
SHD1235P	30	150	1000	.49	50	.46	50	7.5	② 400	7500	0.4	
SHD1235N	30	150	1000	.49	50	.46	50	7.5	400	7500	0.4	
SHD1235D	30	150	1000	.49	50	.46	50	7.5	400	7500	0.4	
SHD1236P	45	150	1000	.64	50	.61	50	5.0	150	5000	0.4	
SHD1236N	45	150	1000	.64	50	.61	50	5.0	150	5000	0.4	
SHD1236D	45	150	1000	.64	50	.61	50	5.0	150	5000	0.4	
SHD1237P	100	150	1000	.79	50	.74	50	5.0	150	2700	0.4	
SHD1237N	100	150	1000	.79	50	.74	50	5.0	150	2700	0.4	
SHD1237D	100	150	1000	.79	50	.74	50	5.0	150	2700	0.4	

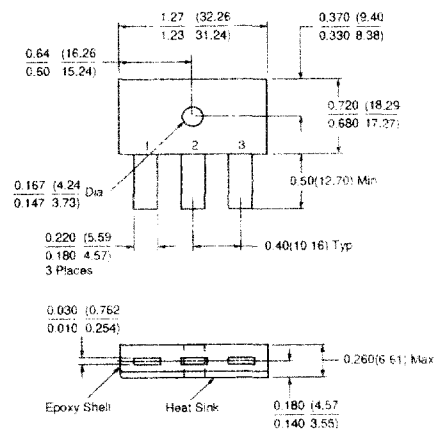
Notes:

- All ratings are at T_C = 25°C unless otherwise specified.
 - Maximum operating and storage temperature -65° to +150°C.
 - ① t_p = 8.3 msec.
 - ② Rating at T_C = 110°C.
 - ③ Suffix P denotes common cathode version, N denotes common anode and D denotes the doubler version.
- Most devices are available in other Voltage and/or current ratings. Please contact the factory or a Sensitron Sales Representative for details.

PKG. 22



PKG. 23



PINOUTS - PKG. 22, PKG. 23

	PIN 1	PIN 2	PIN 3
DUAL RECTIFIER/COMMON CATHODE (P)	ANODE 1	COMMON CATHODE	ANODE 2
DUAL RECTIFIER/COMMON ANODE (N)	CATHODE 1	COMMON ANODE	CATHODE 2
DUAL RECTIFIER/DOUBLER (D)	ANODE	ANODE/CATHODE	CATHODE

Note: Modules are constructed with hermetically sealed devices internally.