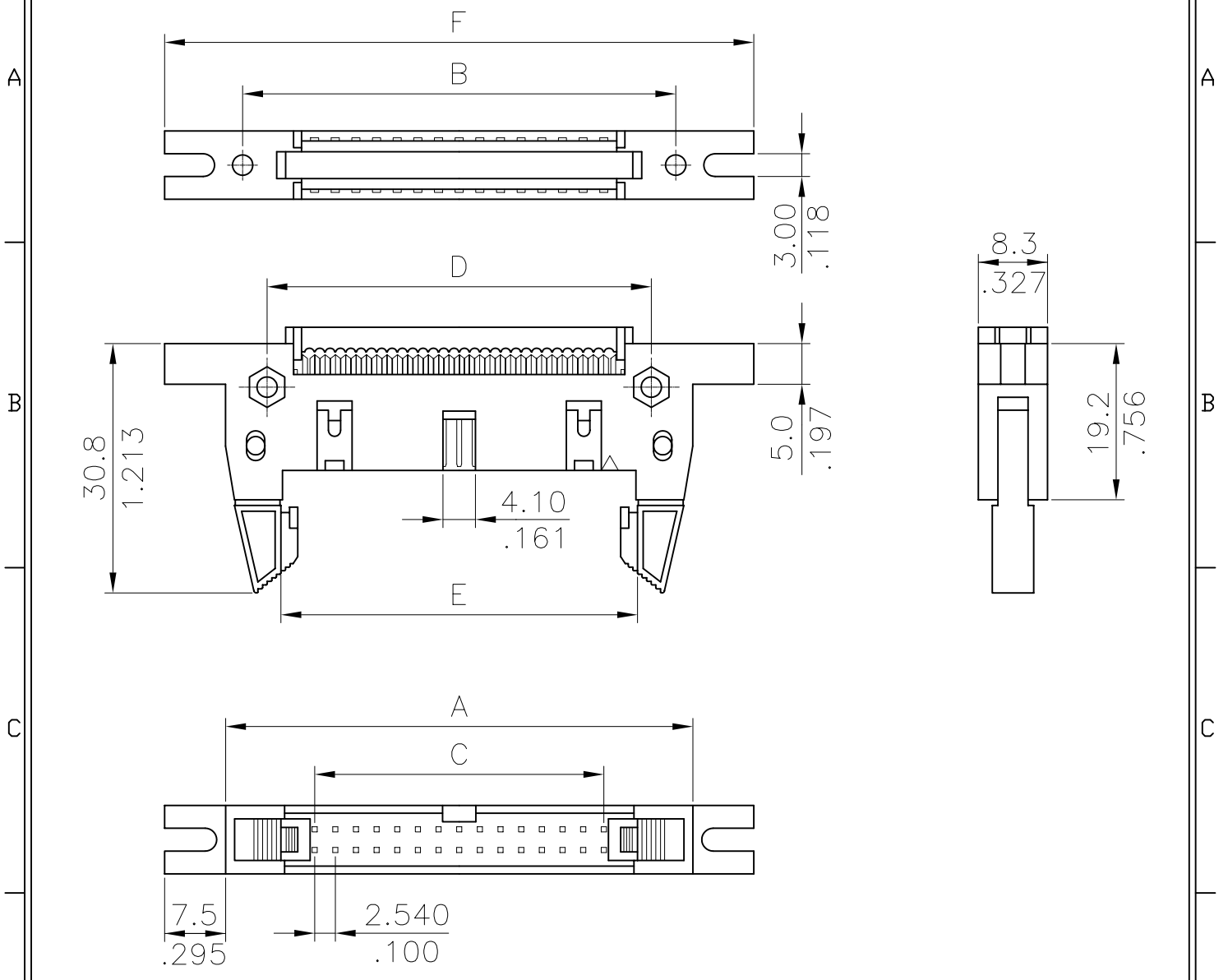
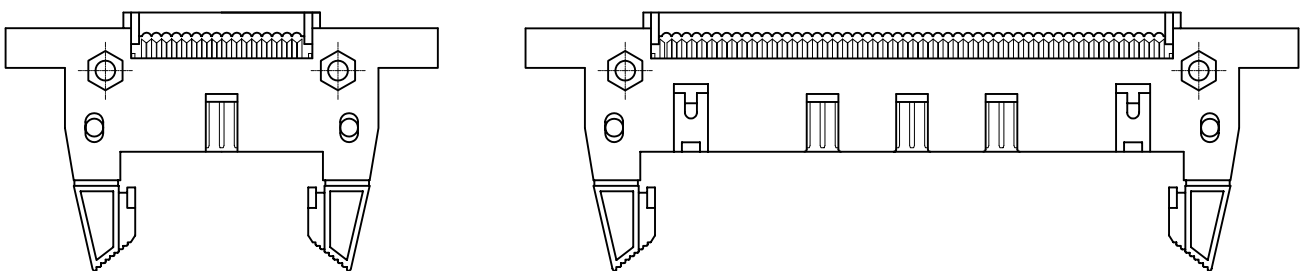


* For 20, 24, 26, 30, 34, 40 and 50 circuits



* For 10, 14 and 16 circuits

* For 60 and 64 circuits



				臺灣龍傑股份有限公司 LECO CORPORATION		APPROVED BY:		PART NO.:			
				GENERAL TOLERANCE		CHECKED BY:		2675S***00S			
C	E980355			X. ±	X' ± 2'	DRAW BY:		TITLE:			
B	E970434			.X ± $\frac{0.30}{.012}$.X' ±			DRAWING NO.:			
A	DWG REL.			.XX ± $\frac{0.20}{.008}$.XX' ±			267504S			
REV.	ECO. NO.	CHG	APPD.	.XXX ± $\frac{0.10}{.004}$.XXX' ±		UNITS	SCALE	SIZE	SHEET	REV.
							mm / inch	1:1	A4	1/2	C

Material:

Insulator: PBT UL94V-0

Contact: Brass

Ordering Information:

2675 S $\frac{**}{1} \frac{*}{2} \frac{0}{3} \frac{0S}{4}$

1. No. of circuits:

2. Contact plating:

T= Tin plated 120?" min. over 30?"~50?" nickel overall

U= Gold flash over 30?"~50?" nickel overall

W= 15?" gold plated selective over 30?"~50?" nickel overall

Z= 30?" gold plated selective over 30?"~50?" nickel overall


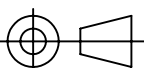
3. Ear options:

0= With ear

4. Special options:

0S= Short latches (Mated connector without strain relief)

Circuits	Dim.A	Dim.B	Dim.C	Dim.D	Dim.E	Dim.E
10	32.0(1.260)	25.40(1.000)	10.16(.400)	21.84(.860)	17.96(.707)	47.08(1.854)
14	37.1(1.461)	30.48(1.200)	15.24(.600)	26.92(1.060)	23.04(.907)	52.18(2.054)
16	39.6(1.559)	33.02(1.300)	17.78(.700)	29.46(1.160)	25.58(1.007)	54.84(2.159)
20	44.7(1.760)	38.10(1.500)	22.86(.900)	34.54(1.360)	30.66(1.207)	59.90(2.358)
24	49.8(1.961)	43.18(1.700)	27.94(1.100)	39.62(1.560)	35.74(1.407)	64.98(2.558)
26	52.2(2.055)	48.26(1.900)	30.48(1.200)	42.16(1.660)	38.28(1.507)	67.24(2.647)
30	57.5(2.264)	53.26(2.097)	35.56(1.400)	46.74(1.840)	43.58(1.716)	72.64(2.860)
34	62.5(2.461)	58.42(2.300)	40.64(1.600)	52.32(2.060)	48.44(1.907)	77.48(3.050)
40	70.2(2.764)	66.04(2.600)	48.26(1.900)	59.94(2.360)	56.60(2.228)	85.36(3.361)
50	82.7(3.256)	78.74(3.100)	60.96(2.400)	72.64(2.860)	68.76(2.707)	97.90(3.854)
60	95.7(3.768)	91.44(3.600)	73.66(2.900)	85.34(3.360)	81.45(3.207)	110.66(4.357)
64	100.7(3.965)	96.52(3.800)	78.74(3.100)	90.42(3.560)	86.54(3.407)	115.62(4.552)

				 臺灣龍傑股份有限公司 LEOCO CORPORATION	APPROVED BY:	PART NO.: 2675S***00S					
				GENERAL TOLERANCE	CHECKED BY:	TITLE: I.D.C. Connector					
C	E980355			X. ±	X' ± 2'	DRAW BY:	DRAWING NO.: 267504S				
B	E970434			.X ± $\frac{0.30}{.012}$.X' ±						
A	DWG REL.			.XX ± $\frac{0.20}{.008}$.XX' ±		UNITS	SCALE	SIZE	SHEET	REV.
REV.	ECO. NO.	CHG	APPD.	.XXX ± $\frac{0.10}{.004}$.XXX' ±		mm inch	1:1	A4	2/2	C