

A

B

C

D

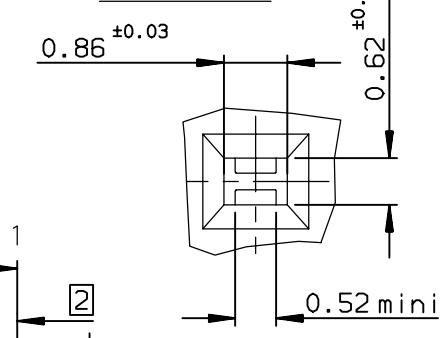
A

B

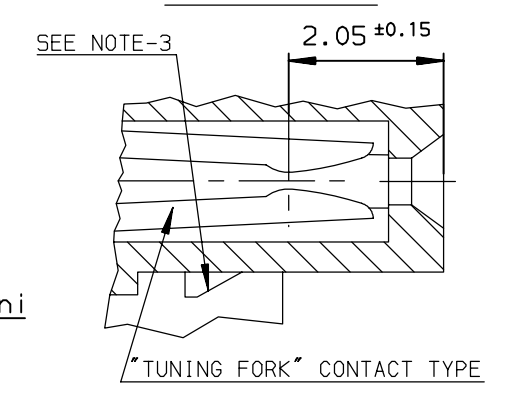
C

D

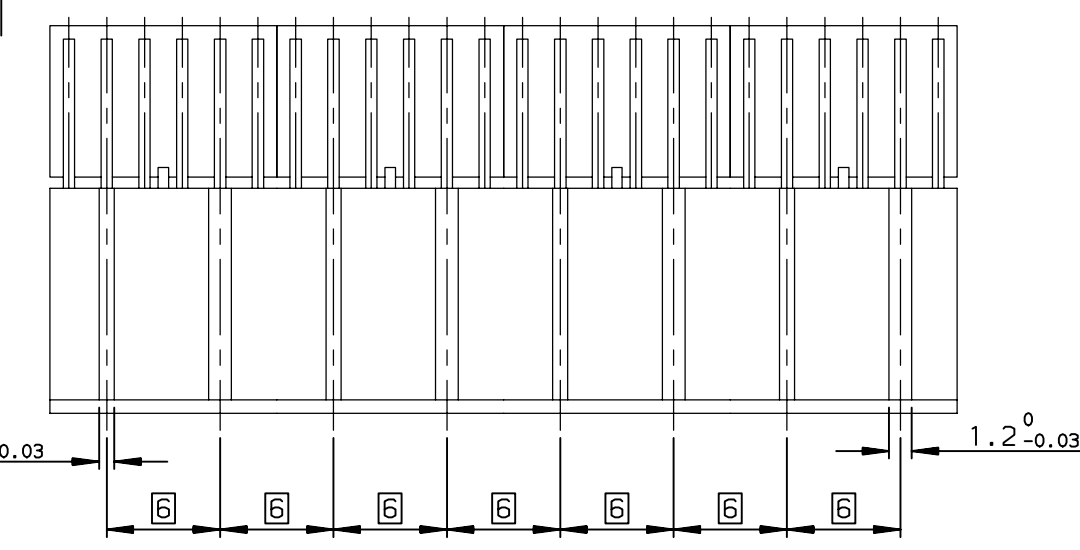
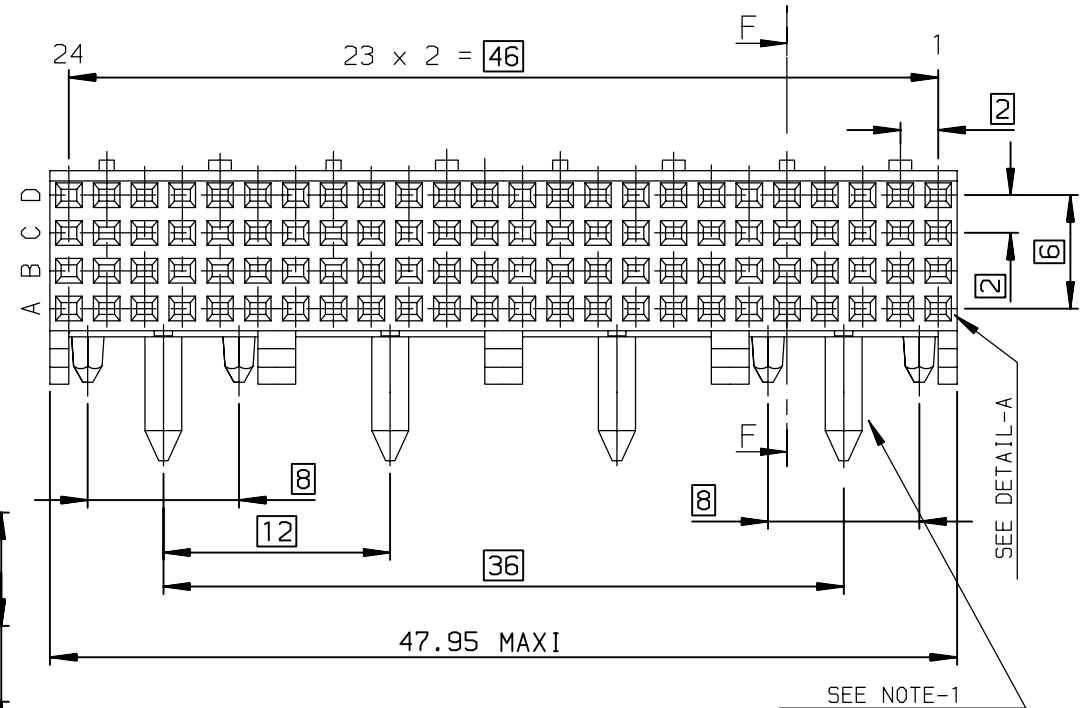
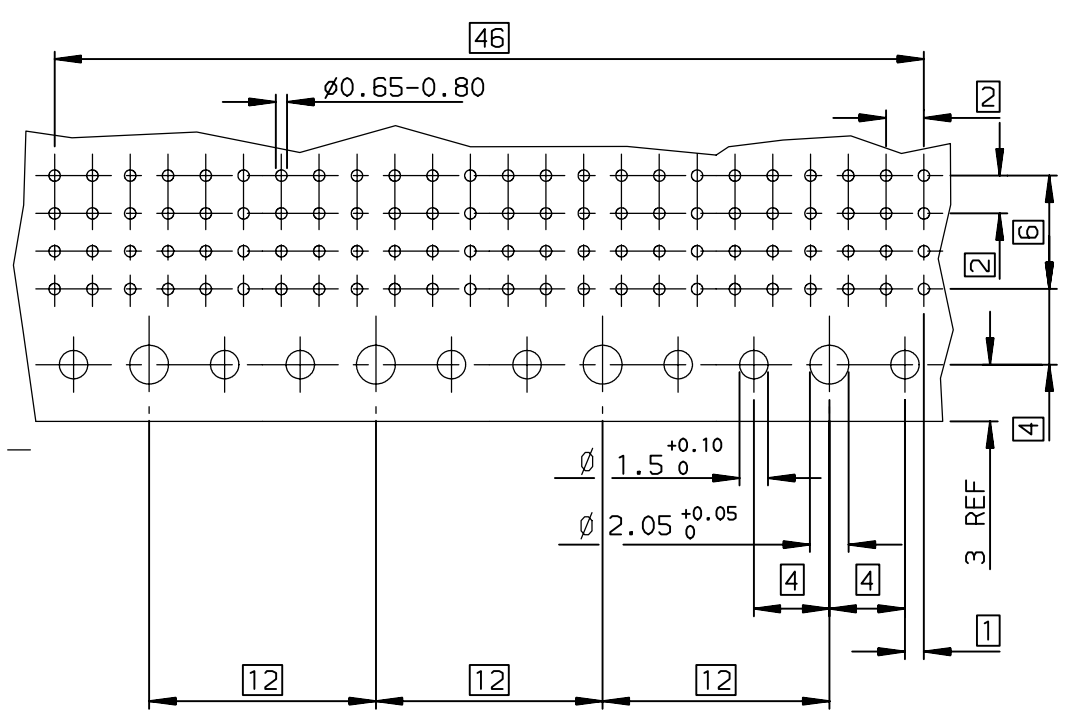
DETAIL-A



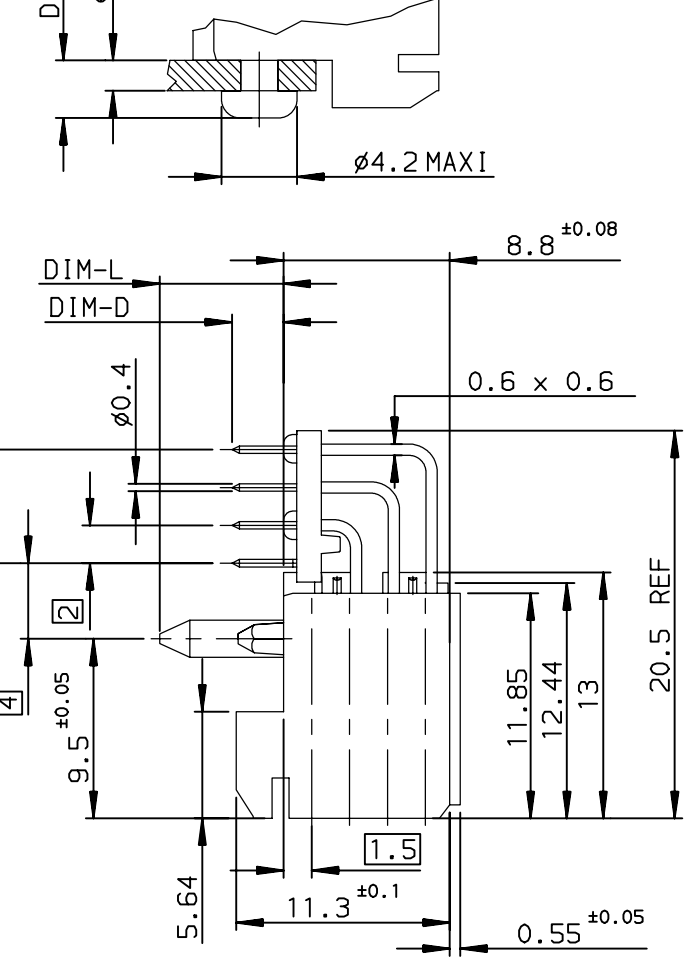
SECTION-FF



LAYOUT FOR P.C.B



ASSEMBLY AFTER HOT RIVETING



GENERAL CHARACTERISTICS: SEE DRW C-8626-00FS

NOTE-1: PLUG FOR HOT RIVETING ASSEMBLY

NOTE-2: MATING CONNECTORS WITH PCB 2.4 mm IN MALE CONNECTORS WIDE BODY ONLY

NOTE-3: PLUG FOR CODING KEY FIXING

NOTE-4: IF SUFFIX "P" IS ADDED PACKAGING IS TRAYS, BUT MARKING WILL BE WITHOUT "P"

Example P/N: HM1F41FAP000H6P ,Marking:HM1F41FAP000H6

Part Number: HM1F43F×R000Hz	
PCB THICKNESS	D = 2.90 ±0.3 H = 3.08 MAXI
e = 1.6 mm	- REPLACE x BY A L = 5.25
PCB THICKNESS	D = 3.60 ±0.3 H = 3.78 MAXI
e = 2.4 mm	- REPLACE x BY B (SEE NOTE-2) L = 6.05

rev	ecn no	dr	date
E	-	CHA	1998/03/19
F	LS06-0182	MLE	2006/11/15
-	-	-	-
-	-	-	-
-	-	-	-
-	-	-	-

www.fciconnect.com		surface ISO 1302 ✓	tolerance std ISO 406 ISO 1101	projection mm
TOLERANCES UNLESS OTHERWISE SPECIFIED				
Dr	CHAMPION	1991/07/30	ANGULAR	0.X ±0.1
Eng	P.LEGARE	1991/07/30	LINEAR	0.XX ±0.1
Chr	P.LEGARE	1991/07/30	0.XX' ±2'	0.XXX ±0.1
Appr	P.LEGARE	1991/07/30	Product family	METRAL
FCi		title METRAL FEMALE 4 ROWS 96 CTS RIGHT ANGLE-STB-HOT RIVETING PLUG		size A3
catalog no		-		Scale 2.5
-		-		ECN LS06-0182
-		-		Spec ref -
-		-		Rev. F
-		-		CUSTOMER sheet 1 of 1

European Views