

INTRODUCTION:

Adam Tech HRS Series Half Pitch Receptacle Strips are designed for applications where space and weight are key factors. They are available with two thru-hole body profiles and two surface mount versions. Each uses our unique contact design which provides low insertion but a high normal contact force for constant continuity even under harsh conditions.

FEATURES:

- Choice of low or standard profile
- Half pitch .050" centerline increases board density
- Thru-hole or surface mount leads
- Choice of gold or tin plating
- Early and long contact wipe

MATING OPTIONS:

Mates with Adam Tech HPH Series Headers and all industry compatible headers with .050" pitch.

SPECIFICATIONS:

Material:

Insulator: Polybutylene Terephthalate (PBT), glass reinforced thermoplastic, rated UL 94V-0 - thru-hole
Liquid Crystal Polymer (LCP), glass reinforced thermoplastic, rated UL 94V-0 - SMT

Contacts: Phosphor Bronze

Plating:

G = 5 µin gold nom. (optional 30 µin) to MIL-G-45204, Type II, Grade C on contact area over 50 µin nickel underplate to QQ-N-290, Class 2, Grade C, gold flash on solder tails

T = 100 µin bright tin plate to MIL-T-10727, Type 1 with 50 µin copper underplate to MIL-C-14550

SG = 5 µin gold nom. on mating length to MIL-G-45204, Type II, Grade C, 200 µin. tin-lead to MIL-P-81738 on solder-tails

Electrical:

Operation voltage: 250 VAC max

Current rating: 1 Amp max

Contact resistance: 20 mΩ max

Insulation resistance: 1000 MΩ min @ 1000 VDC between adjacent contacts (75° F and 50% R.H.)

Dielectric withstanding voltage: 1000 VAC min rms (sea level)

Mechanical:

Insertion force: 6 ozs. per contact max

Withdrawal force: 2 ozs. per contact min

Environmental:

Operating temperature: -65°C to +125°C

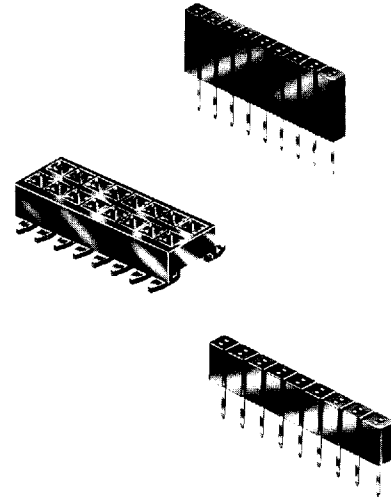
PACKAGING:

Anti-static plastic trays or tubes

APPROVALS AND CERTIFICATIONS:

Recognized under the component program of Underwriters Laboratories, Inc. No. E167232

Certified by Canadian Standards Association No. LR75112



ORDERING INFORMATION

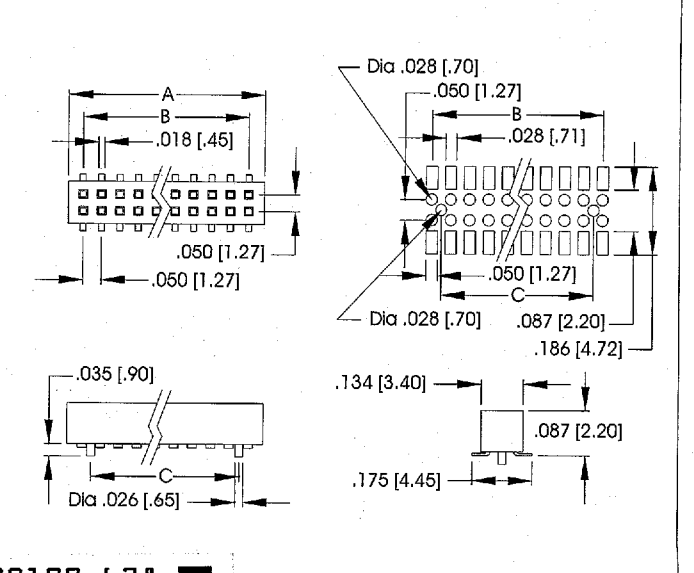
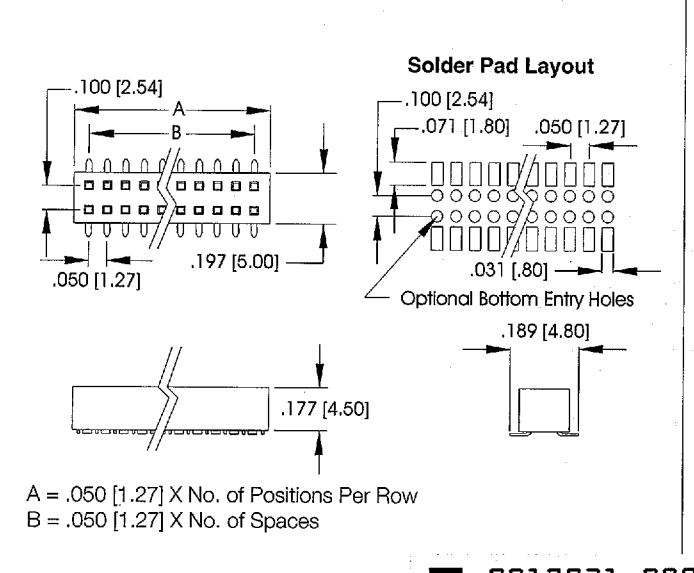
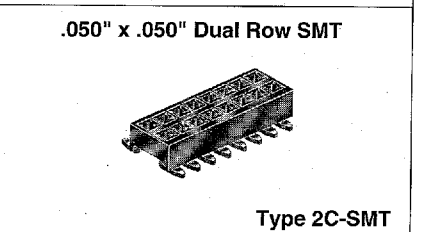
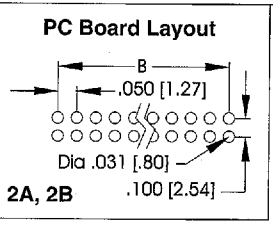
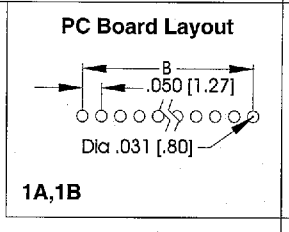
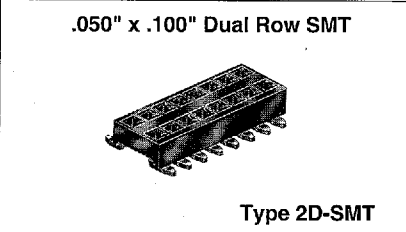
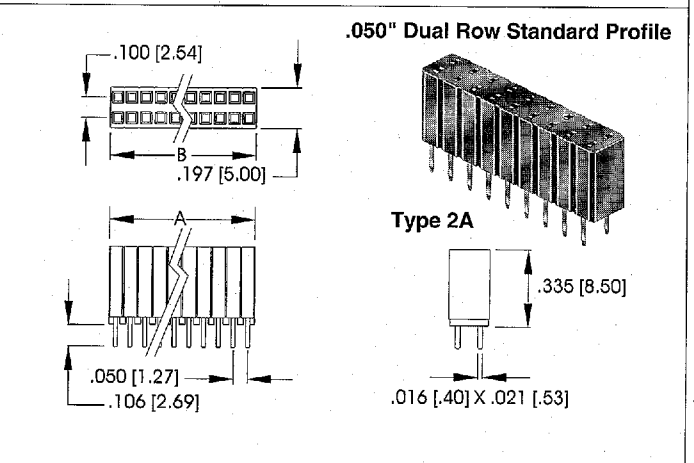
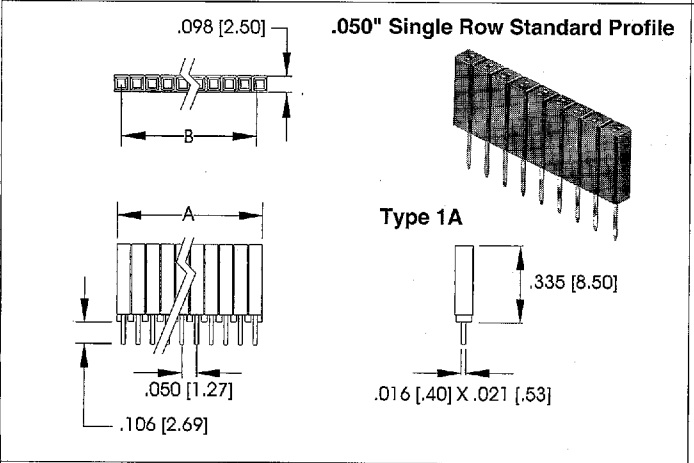
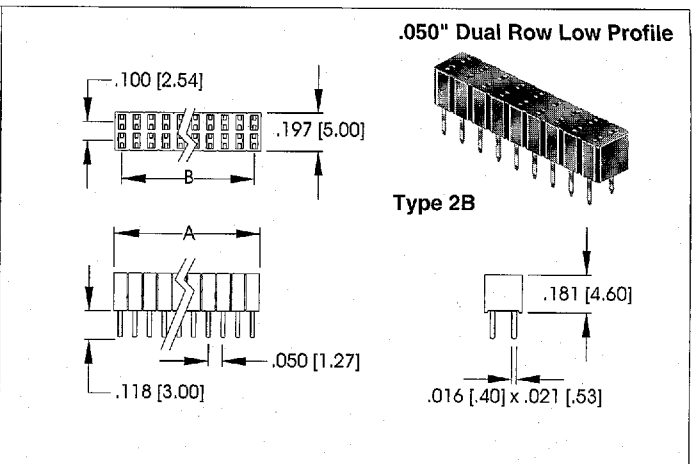
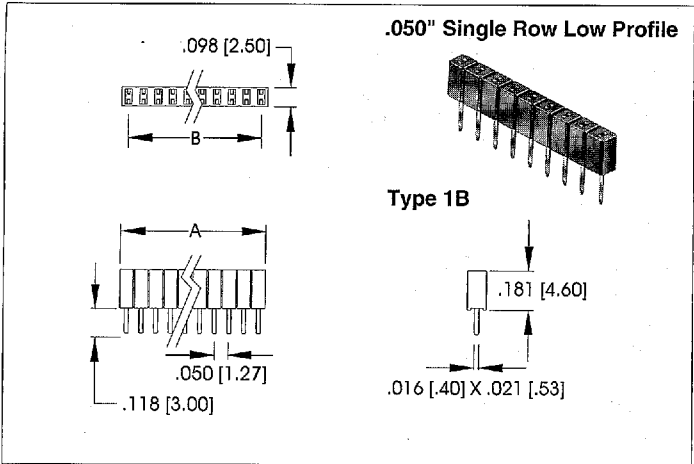
HRS	1A	50	G	A
SERIES INDICATOR HRS = .050" Receptacle Strip				SOLDER TAIL LENGTH A = Standard solder tail for .062"-.125" PCB thickness B = Special length, customer specified SMT = Surface mount leads (profile 2C, 2D only)
NO. OF ROWS / PROFILE 1A = Single Row, Standard Profile 1B = Single Row, Low Profile 2A = Dual Row, Standard Profile .050"x.100" 2B = Dual Row, Low Profile .050"x.100" 2C = Dual Row, Low Profile .050"x.050"(SMT) 2D = Dual Row, Low Profile .050"x.050"(SMT)				CONTACT PLATING G = Gold plated T = Tin plated SG = Gold plated contact area, tin-lead plated solder tails
			NO. OF POSITIONS Single Row: 1 thru 40 Dual Row: 2 thru 80	

OPTIONS:

Add as suffix to basic part number

30 = 30 µin gold plating in contact area

P = Guide Pegs



9017931 0000199 678