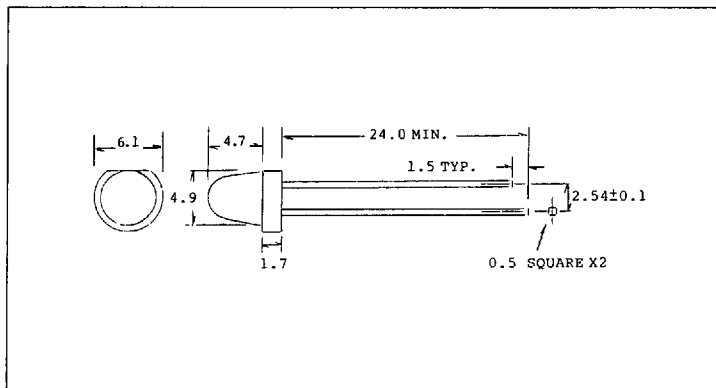


Low Profile T - 1 3/4 LED Lamps

FEATURES

- Excellent brightness in a low profile package
- Available in color clear or color diffused



MAXIMUM RATINGS (Ta = 25°C)

PART NO.	FORWARD CURRENT (IF) (mA)	REVERSE VOLTAGE (VR) (V)	POWER DISSIPATION (PD) (mW)	OPERATING TEMPERATURE (T _{opr}) (°C)	STORAGE TEMPERATURE (T _{stg}) (°C)
MT430-R	30	5	85	-25~+85	-25~+100
MT430-G	30	5	85	-25~+85	-25~+100
MT430-Y	30	5	85	-25~+85	-25~+100
MT430-O	30	5	85	-25~+85	-25~+100
MT430-HR	30	5	85	-25~+85	-25~+100
MT430-UR	30	4	70	-25~+85	-25~+100
MT440-R	30	5	85	-25~+85	-25~+100
MT440-G	30	5	85	-25~+85	-25~+100
MT440-Y	30	5	85	-25~+85	-25~+100
MT440-O	30	5	85	-25~+85	-25~+100
MT440-HR	30	5	85	-25~+85	-25~+100
MT440-UR	30	4	70	-25~+85	-25~+100

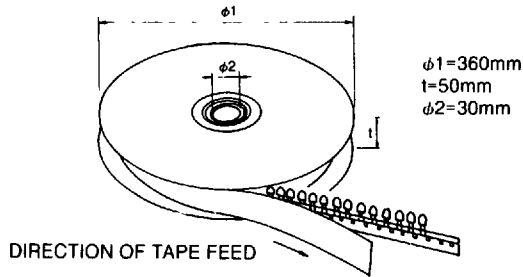
OPTO-ELECTRICAL CHARACTERISTICS (Ta = 25°C)

PART NO.	MATERIAL	LENS COLOR	VIEWING ANGLE	LUMINOUS INTENSITY (mcd)			FORWARD VOLTAGE (V)			REVERSE CURRENT		PEAK WAVELENGTH
			typ.	min.	typ.	@mA	typ.	max.	@mA	µA	Vr	nm
MT430-R	GaP	Red Clear	32°	3.5	8.8	10	2.1	3.0	20	100	5	700
MT430-G	GaP	Green Clear	32°	17.1	43.0	10	2.1	3.0	20	100	5	567
MT430-Y	GaAsP/GaP	Yellow Clear	32°	14.2	35.0	10	2.1	3.0	20	100	5	585
MT430-O	GaAsP/GaP	Orange Clear	32°	18.8	50.0	10	2.1	3.0	20	100	5	635
MT430-HR	GaAsP/GaP	Red Clear	32°	18.8	50.0	10	2.1	3.0	20	100	5	635
MT430-UR	GaAlAs	Red Clear	32°	63.0	158.0	10	1.7	2.2	20	100	4	660
MT440-R	GaP	Red Diff	48°	1.0	2.6	10	2.1	3.0	20	100	5	700
MT440-G	GaP	Green Diff	48°	6.0	12.6	10	2.1	3.0	20	100	5	567
MT440-Y	GaAsP/GaP	Yellow Diff	48°	4.2	10.4	10	2.1	3.0	20	100	5	585
MT440-O	GaAsP/GaP	Orange Diff	48°	5.8	14.6	10	2.1	3.0	20	100	5	635
MT440-HR	GaAsP/GaP	Red Diff	48°	5.8	14.6	10	2.1	3.0	20	100	5	635
MT440-UR	GaAlAs	Red Diff	48°	18.5	46.5	10	1.7	2.2	20	100	4	660

APPLICATION NOTES

[4] Packaging Reel Packaging

a) Reel type



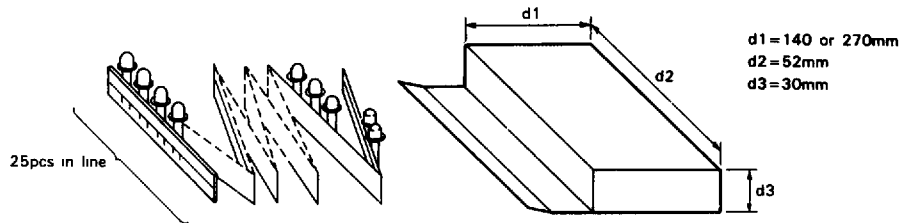
Content

LED Type	Quantity/Reel
$\phi 3$ Series	2000 pcs
$\phi 5$ Series	1000 pcs

T-1 and T- 1 3/4 packages

*Lamps with external shapes other than those above are also available. Please consult Marktech.

b) Zigzag wound tape



At tape beginning and end, there is additional space for 4 pcs or more

Content

LED Type	Quantity/Box
$\phi 3$ Series	2000 or 5000 pcs
$\phi 5$ Series	1000 or 2000 pcs



marktech

5 Hemlock Street • Latham, New York • (518) 786-6591 • FAX (518) 786-6599