

LM4041 Precision Micropower Shunt Voltage Reference

1 Features

- 1.225-V Fixed and Adjustable Outputs (1.225 V to 10 V)
- Tight Output Tolerances and Low Temperature Coefficient
 - Max 0.1%, 100 ppm/°C – A Grade
 - Max 0.2%, 100 ppm/°C – B Grade
 - Max 0.5%, 100 ppm/°C – C Grade
 - Max 1.0%, 150 ppm/°C – D Grade
- Low Output Noise . . . 20 μV_{RMS} (Typ)
- Wide Operating Current Range . . . 45 μA (Typ) to 12 mA
- Stable With All Capacitive Loads; No Output Capacitor Required
- Available in
 - Industrial Temperature: -40°C to 85°C
 - Extended Temperature: -40°C to 125°C

2 Applications

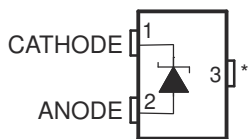
- Data-Acquisition Systems
- Power Supplies and Power-Supply Monitors
- Instrumentation and Test Equipment
- Process Control
- Precision Audio
- Automotive Electronics
- Energy Management/Metering
- Battery-Powered Equipment

3 Description

The LM4041 series of shunt voltage references are versatile, easy-to-use references suitable for a wide array of applications. They require no external capacitors for operation and are stable with all capacitive loads. Additionally, the reference offers low dynamic impedance, low noise, and a low temperature coefficient to ensure a stable output voltage over a wide range of operating currents and temperatures. The LM4041 uses fuse and Zener-zap reverse breakdown voltage trim during wafer sort to offer four output voltage tolerances, ranging from 0.1% (max) for the A grade to 1% (max) for the D grade. Thus, a great deal of flexibility is offered to designers in choosing the best cost-to-performance ratio for their applications. The LM4041 is available in a fixed (1.225 V nominal) or an adjustable version (which requires an external resistor divider to set the output to a value between 1.225 V and 10 V).

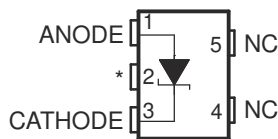
Packaged in space-saving SC-70 and SOT-23-3 and requiring a minimum current of 45 μA (typ), the LM4041 also is ideal for portable applications. The TO-92 package also is available for through-hole packaging needs. The LM4041xl is characterized for operation over an ambient temperature range of -40°C to 85°C . The LM4041xQ is characterized for operation over an ambient temperature range of -40°C to 125°C .

1.2 V . . . DBZ (SOT-23) PACKAGE
(TOP VIEW)



* Pin 3 must be connected to ANODE or left open.

1.2 V . . . DCK (SC-70) PACKAGE
(TOP VIEW)



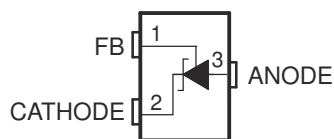
NC – No internal connection
* Pin 2 must be connected to ANODE or left open.

1.2 V . . . LP (TO-92/TO-226) PACKAGE
(TOP VIEW)

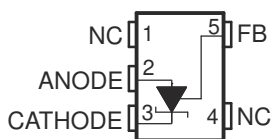


NC – No internal connection

Adjustable . . . DBZ (SOT-23) PACKAGE
(TOP VIEW)

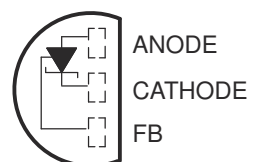


Adjustable . . . DCK (SC-70) PACKAGE
(TOP VIEW)



NC – No internal connection

Adjustable . . . LP (TO-92/TO-226) PACKAGE
(TOP VIEW)



4 Functional Block Diagram

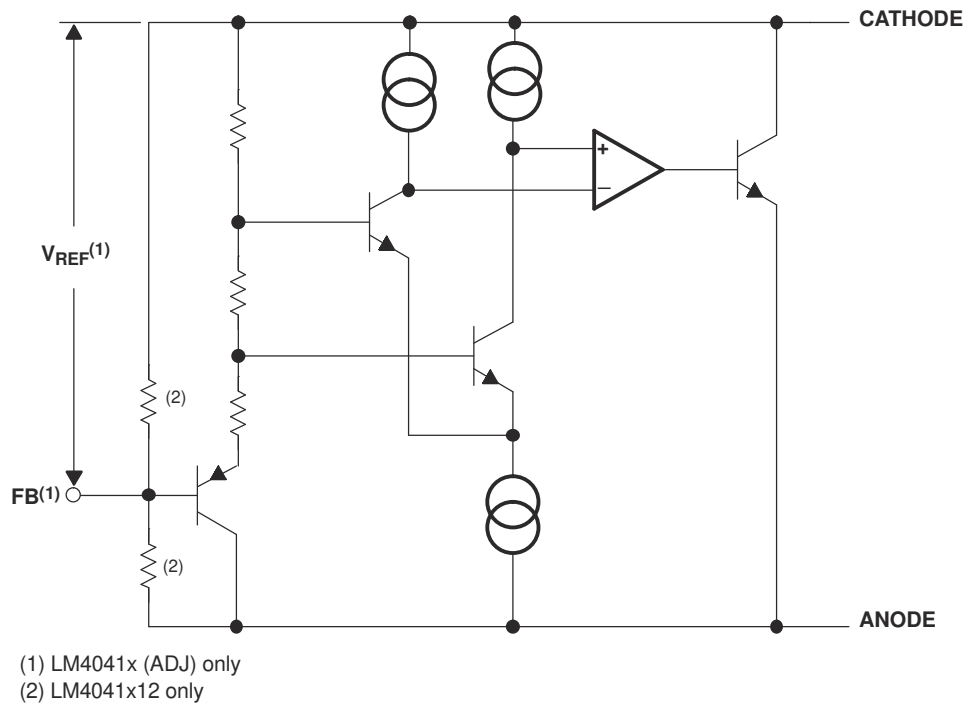


Figure 4-1. Functional Block Diagram

5 Absolute Maximum Ratings

over free-air temperature range (unless otherwise noted)

| | | MIN | MAX ⁽¹⁾ | UNIT |
|---------------|--|-------------|--------------------|------|
| V_Z | Continuous cathode voltage | | 15 | V |
| I_Z | Continuous cathode current | -10 | 25 | mA |
| θ_{JA} | Package thermal impedance ^{(2) (3)} | DBZ package | 206 | °C/W |
| | | DCK package | 252 | |
| | | LP package | 156 | |
| T_J | Operating virtual junction temperature | | 150 | °C |
| T_{stg} | Storage temperature range | -65 | 150 | °C |

- (1) Stresses beyond those listed under "absolute maximum ratings" may cause permanent damage to the device. These are stress ratings only, and functional operation of the device at these or any other conditions beyond those indicated under "recommended operating conditions" is not implied. Exposure to absolute-maximum-rated conditions for extended periods may affect device reliability.
- (2) Maximum power dissipation is a function of $T_J(\max)$, θ_{JA} , and T_A . The maximum allowable power dissipation at any allowable ambient temperature is $P_D = (T_J(\max) - T_A)/\theta_{JA}$. Operating at the absolute maximum T_J of 150°C can affect reliability.
- (3) The package thermal impedance is calculated in accordance with JESD 51-7.

6 Recommended Operating Conditions

| | | MIN | MAX | UNIT | |
|-------|--|------------------------|-----|------|----|
| I_Z | Cathode current | (1) | 12 | mA | |
| V_Z | Reverse breakdown voltage (adjustable version) | | 10 | V | |
| T_A | Free-air temperature | LM4041 (I temperature) | -40 | 85 | °C |
| | | LM4041 (Q temperature) | -40 | 125 | |

(1) See parametric tables

7 LM4041x12I Electrical Characteristics

full-range $T_A = -40^\circ\text{C}$ to 85°C (unless otherwise noted)

| PARAMETER | TEST CONDITIONS | T_A | LM4041A12I | | | LM4041B12I | | | UNIT | |
|-------------------------|--|--|------------|-----|-----|------------|-----|-------|----------------------------|---------------|
| | | | MIN | TYP | MAX | MIN | TYP | MAX | | |
| V_Z | Reverse breakdown voltage | $I_Z = 100\ \mu\text{A}$ | 25°C | | | 1.225 | | | V | |
| | Reverse breakdown voltage tolerance | $I_Z = 100\ \mu\text{A}$ | 25°C | | | -1.2 | 1.2 | -2.4 | 2.4 | mV |
| | | | Full range | | | -9.2 | 9.2 | -10.4 | 10.4 | |
| $I_{Z,\text{min}}$ | Minimum cathode current | | 25°C | | | 45 | 75 | 45 | 75 | μA |
| | | | Full range | | | 80 | 80 | | | |
| α_{VZ} | Average temperature coefficient of reverse breakdown voltage | $I_Z = 10\ \text{mA}$ | 25°C | | | ± 20 | | | ppm/°C | |
| | | | 25°C | | | ± 15 | | | | |
| | | | Full range | | | ± 100 | | | | |
| | | | 25°C | | | ± 15 | | | | |
| $\Delta V_Z/\Delta I_Z$ | Reverse breakdown voltage change with cathode current change | $I_{Z,\text{min}} < I_Z < 1\ \text{mA}$ | 25°C | | | 0.7 | 1.5 | 0.7 | 1.5 | mV |
| | | | Full range | | | 2 | | | | |
| | | $1\ \text{mA} < I_Z < 12\ \text{mA}$ | 25°C | | | 4 | 6 | 4 | 6 | |
| | | | Full range | | | 8 | | | | |
| Z_Z | Reverse dynamic impedance | $I_Z = 1\ \text{mA}$, $f = 120\ \text{Hz}$, $I_{AC} = 0.1\ I_Z$ | 25°C | | | 0.5 | 1.5 | 0.5 | 1.5 | Ω |
| e_N | Wideband noise | $I_Z = 100\ \mu\text{A}$, $10\ \text{Hz} \leq f \leq 10\ \text{kHz}$ | 25°C | | | 20 | | | μV_{RMS} | |
| | Long-term stability of reverse breakdown voltage | $t = 1000\ \text{h}$, $T_A = 25^\circ\text{C} \pm 0.1^\circ\text{C}$, $I_Z = 100\ \mu\text{A}$ | 25°C | | | 120 | | | ppm | |

8 LM4041x12I Electrical Characteristics

full-range $T_A = -40^\circ\text{C}$ to 85°C (unless otherwise noted)

| PARAMETER | TEST CONDITIONS | T_A | LM4041C12I | | | LM4041D12I | | | UNIT | |
|-------------------------|--|--|--------------------------|------------|-----------|------------|-----------|----------------------------|------|---------------|
| | | | MIN | TYP | MAX | MIN | TYP | MAX | | |
| V_Z | Reverse breakdown voltage | $I_Z = 100\ \mu\text{A}$ | 1.225 | | | 1.225 | | | V | |
| | Reverse breakdown voltage tolerance | $I_Z = 100\ \mu\text{A}$ | 25°C | -6 | | 6 | | -12 | 12 | mV |
| | | | Full range | -14 | | 14 | | -24 | 24 | |
| $I_{Z,\text{min}}$ | Minimum cathode current | | 25°C | 45 | | 75 | | 45 | 75 | μA |
| | | | Full range | | | 80 | | 80 | | |
| α_{VZ} | Average temperature coefficient of reverse breakdown voltage | $I_Z = 10\ \text{mA}$ | 25°C | ± 20 | | ± 20 | | ppm/°C | | |
| | | | 25°C | ± 15 | | ± 15 | | | | |
| | | | | Full range | ± 100 | | ± 150 | | | |
| | | | $I_Z = 100\ \mu\text{A}$ | ± 15 | | ± 15 | | | | |
| $\Delta V_Z/\Delta I_Z$ | Reverse breakdown voltage change with cathode current change | $I_{Z,\text{min}} < I_Z < 1\ \text{mA}$ | 25°C | 0.7 | | 1.5 | | 0.7 | 2 | mV |
| | | | Full range | | | 2 | | 2.5 | | |
| | | $1\ \text{mA} < I_Z < 12\ \text{mA}$ | 25°C | 2.5 | | 6 | | 2.5 | 8 | |
| | | | Full range | | | 8 | | 10 | | |
| Z_Z | Reverse dynamic impedance | $I_Z = 1\ \text{mA}$, $f = 120\ \text{Hz}$, $I_{AC} = 0.1\ I_Z$ | 25°C | 0.5 | | 1.5 | | 0.5 | 2 | Ω |
| e_N | Wideband noise | $I_Z = 100\ \mu\text{A}$, $10\ \text{Hz} \leq f \leq 10\ \text{kHz}$ | 25°C | 20 | | 20 | | μV_{RMS} | | |
| | Long-term stability of reverse breakdown voltage | $t = 1000\ \text{h}$, $T_A = 25^\circ\text{C} \pm 0.1^\circ\text{C}$, $I_Z = 100\ \mu\text{A}$ | 25°C | 120 | | 120 | | ppm | | |

9 LM4041x12Q Electrical Characteristics

full-range $T_A = -40^\circ\text{C}$ to 125°C (unless otherwise noted)

| PARAMETER | TEST CONDITIONS | T_A | LM4041C12Q | | | LM4041D12Q | | | UNIT | |
|-------------------------|--|--|------------|----------|-----|------------|-----|----------------------------|------|---------------|
| | | | MIN | TYP | MAX | MIN | TYP | MAX | | |
| V_Z | Reverse breakdown voltage | $I_Z = 100\ \mu\text{A}$ | 1.225 | | | 1.225 | | | V | |
| | Reverse breakdown voltage tolerance | $I_Z = 100\ \mu\text{A}$ | 25°C | -6 | | 6 | | -12 | 12 | mV |
| | | | Full range | -18.4 | | 18.4 | | -31 | 31 | |
| $I_{Z,\text{min}}$ | Minimum cathode current | | 25°C | 45 | | 75 | | 45 | 75 | μA |
| | | | Full range | | | 80 | | 80 | | |
| α_{VZ} | Average temperature coefficient of reverse breakdown voltage | $I_Z = 10\ \text{mA}$ | 25°C | ± 20 | | ± 20 | | ppm/°C | | |
| | | | Full range | | | | | | | |
| | | $I_Z = 1\ \text{mA}$ | 25°C | ± 15 | | ± 15 | | | | |
| | | | Full range | | | ± 150 | | | | |
| $\Delta V_Z/\Delta I_Z$ | Reverse breakdown voltage change with cathode current change | $I_{Z,\text{min}} < I_Z < 1\ \text{mA}$ | 25°C | 0.7 | | 1.5 | | 0.7 | 2 | mV |
| | | | Full range | | | 2 | | 2.5 | | |
| | | $1\ \text{mA} < I_Z < 12\ \text{mA}$ | 25°C | 2.5 | | 6 | | 2.5 | 8 | |
| | | | Full range | | | 8 | | 10 | | |
| Z_Z | Reverse dynamic impedance | $I_Z = 1\ \text{mA}$, $f = 120\ \text{Hz}$, $I_{AC} = 0.1\ I_Z$ | 25°C | 0.5 | | 0.5 | | Ω | | |
| | | | Full range | | | 1.5 | | | | 2 |
| e_N | Wideband noise | $I_Z = 100\ \mu\text{A}$, 10 Hz $\leq f \leq 10\ \text{kHz}$ | 25°C | 20 | | 20 | | μV_{RMS} | | |
| | Long-term stability of reverse breakdown voltage | $t = 1000\ \text{h}$, $T_A = 25^\circ\text{C} \pm 0.1^\circ\text{C}$, $I_Z = 100\ \mu\text{A}$ | 25°C | 120 | | 120 | | ppm | | |

10 LM4041xl (Adjustable Version) Electrical Characteristics

 full-range $T_A = -40^{\circ}\text{C}$ to 85°C (unless otherwise noted)

| PARAMETER | TEST CONDITIONS | T_A | LM4041BI | | | LM4041CI | | | UNIT | |
|--------------------------------|---|--|------------|-----|-----|----------|------|-----------|------|---------------------|
| | | | MIN | TYP | MAX | MIN | TYP | MAX | | |
| V_{REF} | Reference voltage | $I_Z = 100\ \mu\text{A}$, $V_Z = 5\ \text{V}$ | 25°C | | | 1.233 | | | V | |
| | Reference voltage tolerance ⁽¹⁾ | $I_Z = 100\ \mu\text{A}$, $V_Z = 5\ \text{V}$ | 25°C | | | -2.5 | 2.5 | | mV | |
| | | | Full range | | | -10.5 | 10.5 | | | |
| $I_{Z,min}$ | Minimum cathode current | | 25°C | | | 45 | | 75 | | μA |
| | | | Full range | | | | | 80 | | |
| $\Delta V_{REF}/\Delta I_Z$ | Reference voltage change with cathode current change | $I_{Z,min} < I_Z < 1\ \text{mA}$ | 25°C | | | 0.7 | | 1.5 | | mV |
| | | | Full range | | | | | 2 | | |
| | | $1\ \text{mA} < I_Z < 12\ \text{mA}$ | 25°C | | | 2 | | 4 | | |
| | | | Full range | | | | | 6 | | |
| $\Delta V_{REF}/\Delta V_{KA}$ | Reference voltage change with output voltage change | $I_Z = 1\ \text{mA}$ | 25°C | | | -1.55 | | -2 | | mV/V |
| | | | Full range | | | | | -2.5 | | |
| I_{FB} | Feedback current | | 25°C | | | 60 | | 100 | | nA |
| | | | Full range | | | | | 120 | | |
| αV_{REF} | Average temperature coefficient of reference voltage ⁽¹⁾ | $I_Z = 10\ \text{mA}$, $V_Z = 5\ \text{V}$ | 25°C | | | ± 20 | | ± 20 | | ppm/°C |
| | | $I_Z = 1\ \text{mA}$, $V_Z = 5\ \text{V}$ | 25°C | | | ± 15 | | ± 15 | | |
| | | | Full range | | | | | ± 100 | | |
| | | $I_Z = 100\ \mu\text{A}$, $V_Z = 5\ \text{V}$ | 25°C | | | ± 15 | | ± 15 | | |
| Z_Z | Reverse dynamic impedance | $I_Z = 1\ \text{mA}$, $f = 120\ \text{Hz}$, $I_{AC} = 0.1\ I_Z$, $V_Z = V_{REF}$ | 25°C | | | 0.3 | | 0.3 | | Ω |
| | | $I_Z = 1\ \text{mA}$, $f = 120\ \text{Hz}$, $I_{AC} = 0.1\ I_Z$, $V_Z = 10\ \text{V}$ | 25°C | | | 2 | | 2 | | |
| e_N | Wideband noise | $I_Z = 100\ \mu\text{A}$, $V_Z = V_{REF}$, $10\ \text{Hz} \leq f \leq 10\ \text{kHz}$ | 25°C | | | 20 | | 20 | | μV_{RMS} |
| | Long-term stability of reverse breakdown voltage | $t = 1000\ \text{h}$, $T_A = 25^{\circ}\text{C} \pm 0.1^{\circ}\text{C}$, $I_Z = 100\ \mu\text{A}$ | 25°C | | | 120 | | 120 | | ppm |

 (1) Reference voltage tolerance and average temperature coefficient change with output voltage (V_Z). See *Typical Characteristics*.

11 LM4041xl (Adjustable Version) Electrical Characteristics

full-range $T_A = -40^\circ\text{C}$ to 85°C (unless otherwise noted)

| PARAMETER | TEST CONDITIONS | T_A | LM4041DI | | | UNIT | |
|--------------------------------|---|--|------------|--|----------|----------------------------|-----------|
| | | | MIN | TYP | MAX | | |
| V_{REF} | Reference voltage | $I_Z = 100\ \mu\text{A}$, $V_Z = 5\ \text{V}$ | 25°C | 1.233 | | V | |
| | Reference voltage tolerance ⁽¹⁾ | $I_Z = 100\ \mu\text{A}$, $V_Z = 5\ \text{V}$ | 25°C | -12 | 12 | mV | |
| | | | Full range | -24 | 24 | | |
| $I_{Z,\text{min}}$ | Minimum cathode current | | 25°C | 45 | 75 | μA | |
| | | | Full range | | 80 | | |
| $\Delta V_{REF}/\Delta I_Z$ | Reference voltage change with cathode current change | $I_{Z,\text{min}} < I_Z < 1\ \text{mA}$ | 25°C | 0.7 | 2 | mV | |
| | | | Full range | | 2.5 | | |
| | | $1\ \text{mA} < I_Z < 12\ \text{mA}$ | 25°C | 2 | 6 | | |
| | | | Full range | | 8 | | |
| $\Delta V_{REF}/\Delta V_{KA}$ | Reference voltage change with output voltage change | $I_Z = 1\ \text{mA}$ | 25°C | -1.55 | -2 | mV/V | |
| | | | Full range | | -3 | | |
| I_{FB} | Feedback current | | 25°C | 60 | 150 | nA | |
| | | | Full range | | 200 | | |
| αV_{REF} | Average temperature coefficient of reference voltage ⁽¹⁾ | $I_Z = 10\ \text{mA}$, $V_Z = 5\ \text{V}$ | 25°C | ± 20 | | ppm/°C | |
| | | | 25°C | $I_Z = 1\ \text{mA}$, $V_Z = 5\ \text{V}$ | ± 15 | | |
| | | | | Full range | | | ± 150 |
| Z_Z | Reverse dynamic impedance | $I_Z = 1\ \text{mA}$, $f = 120\ \text{Hz}$, $I_{AC} = 0.1\ I_Z$, $V_Z = V_{REF}$ | 25°C | 0.3 | | Ω | |
| | | | 25°C | $I_Z = 1\ \text{mA}$, $f = 120\ \text{Hz}$, $I_{AC} = 0.1\ I_Z$, $V_Z = 10\ \text{V}$ | 2 | | |
| | | | | | | | |
| e_N | Wideband noise | $I_Z = 100\ \mu\text{A}$, $V_Z = V_{REF}$, $10\ \text{Hz} \leq f \leq 10\ \text{kHz}$ | 25°C | 20 | | μV_{RMS} | |
| | Long-term stability of reverse breakdown voltage | $t = 1000\ \text{h}$, $T_A = 25^\circ\text{C} \pm 0.1^\circ\text{C}$, $I_Z = 100\ \mu\text{A}$ | 25°C | 120 | | ppm | |

(1) Reference voltage tolerance and average temperature coefficient change with output voltage (V_Z). See *Typical Characteristics*.

12 LM4041xQ (Adjustable Version) Electrical Characteristics

 full-range $T_A = -40^{\circ}\text{C}$ to 125°C (unless otherwise noted)

| PARAMETER | TEST CONDITIONS | T_A | LM4041CQ | | | LM4041DQ | | | UNIT |
|--------------------------------|---|--|------------|-----|-----|-----------|-----|-----|---------------------|
| | | | MIN | TYP | MAX | MIN | TYP | MAX | |
| V_{REF} | Reference voltage | $I_Z = 100\ \mu\text{A}$, $V_Z = 5\ \text{V}$ | 25°C | | | 1.233 | | | V |
| | Reference voltage tolerance ⁽¹⁾ | $I_Z = 100\ \mu\text{A}$, $V_Z = 5\ \text{V}$ | 25°C | | | -6.2 | 6.2 | | mV |
| | | | Full range | | | -18 | 18 | | |
| $I_{Z,min}$ | Minimum cathode current | | 25°C | | | 45 | 75 | | μA |
| | | | Full range | | | 80 | | | |
| $\Delta V_{REF}/\Delta I_Z$ | Reference voltage change with cathode current change | $I_{Z,min} < I_Z < 1\ \text{mA}$ | 25°C | | | 0.7 | 1.5 | | mV |
| | | | Full range | | | 2 | | | |
| | | $1\ \text{mA} < I_Z < 12\ \text{mA}$ | 25°C | | | 2 | 4 | | |
| | | | Full range | | | 8 | | | |
| $\Delta V_{REF}/\Delta V_{KA}$ | Reference voltage change with output voltage change | $I_Z = 1\ \text{mA}$ | 25°C | | | -1.55 | -2 | | mV/V |
| | | | Full range | | | -3 | | | |
| I_{FB} | Feedback current | | 25°C | | | 60 | 100 | | nA |
| | | | Full range | | | 120 | | | |
| αV_{REF} | Average temperature coefficient of reference voltage ⁽¹⁾ | $I_Z = 10\ \text{mA}$, $V_Z = 5\ \text{V}$ | 25°C | | | ± 20 | | | ppm/°C |
| | | $I_Z = 1\ \text{mA}$, $V_Z = 5\ \text{V}$ | 25°C | | | ± 15 | | | |
| | | | Full range | | | ± 100 | | | |
| | | $I_Z = 100\ \mu\text{A}$, $V_Z = 5\ \text{V}$ | 25°C | | | ± 15 | | | |
| Z_Z | Reverse dynamic impedance | $I_Z = 1\ \text{mA}$, $f = 120\ \text{Hz}$, $I_{AC} = 0.1\ I_Z$, $V_Z = V_{REF}$ | 25°C | | | 0.3 | | | Ω |
| | | $I_Z = 1\ \text{mA}$, $f = 120\ \text{Hz}$, $I_{AC} = 0.1\ I_Z$, $V_Z = 10\ \text{V}$ | 25°C | | | 2 | | | |
| e_N | Wideband noise | $I_Z = 100\ \mu\text{A}$, $V_Z = V_{REF}$, $10\ \text{Hz} \leq f \leq 10\ \text{kHz}$ | 25°C | | | 20 | | | μV_{RMS} |
| | Long-term stability of reverse breakdown voltage | $t = 1000\ \text{h}$, $T_A = 25^{\circ}\text{C} \pm 0.1^{\circ}\text{C}$, $I_Z = 100\ \mu\text{A}$ | 25°C | | | 120 | | | ppm |

 (1) Reference voltage tolerance and average temperature coefficient change with output voltage (V_Z). See *Typical Characteristics*.

13 Typical Characteristics

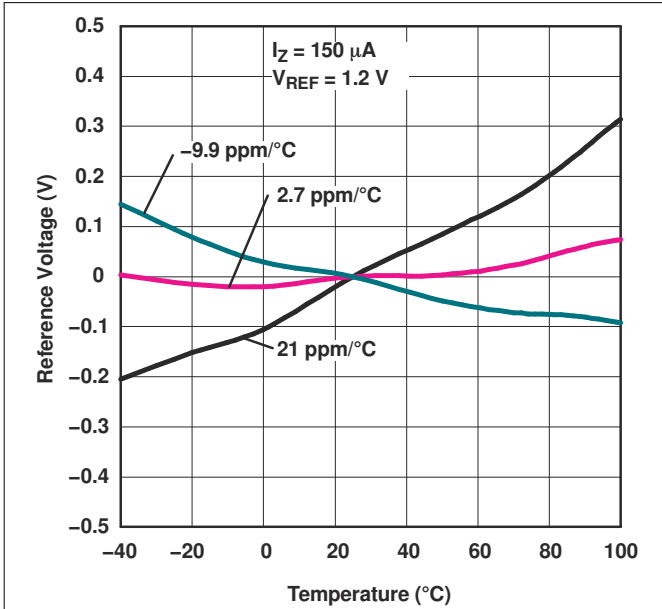


Figure 13-1. Temperature Drift for Different Average Temperature Coefficients

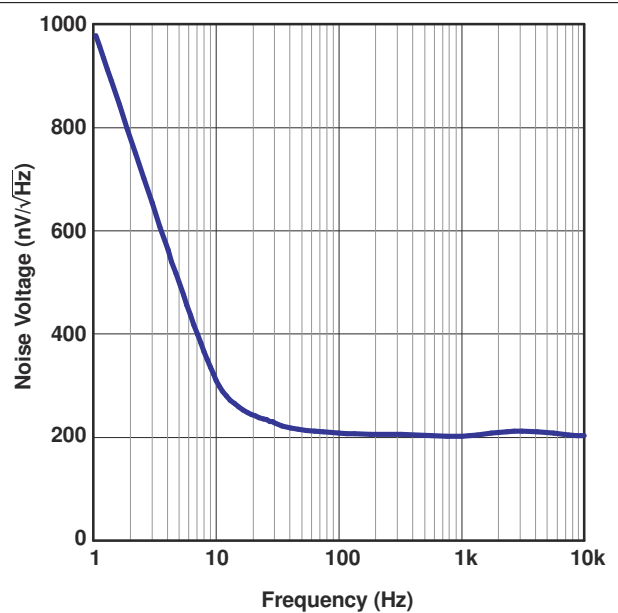


Figure 13-2. Noise Voltage vs Frequency

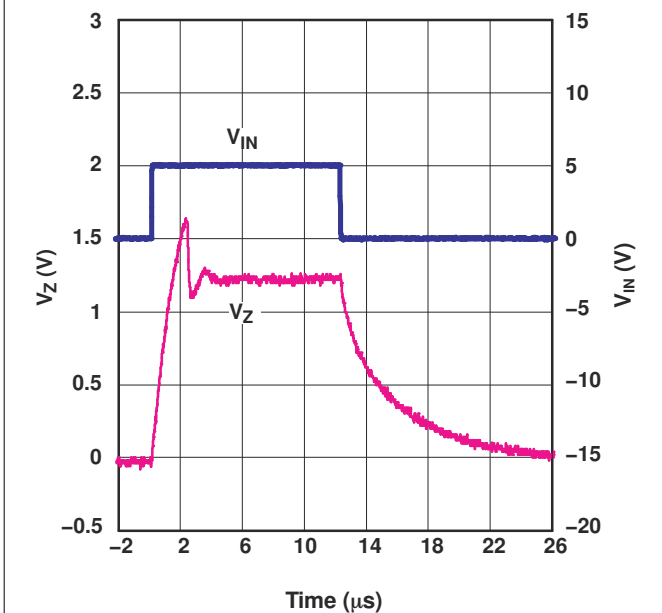


Figure 13-3. Start-Up Characteristics

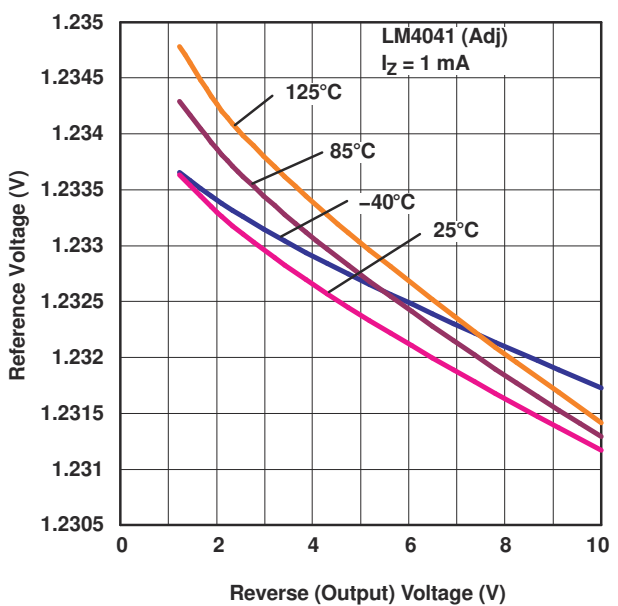


Figure 13-4. Reference Voltage vs Reverse (Output) Voltage (for Different Temperatures)

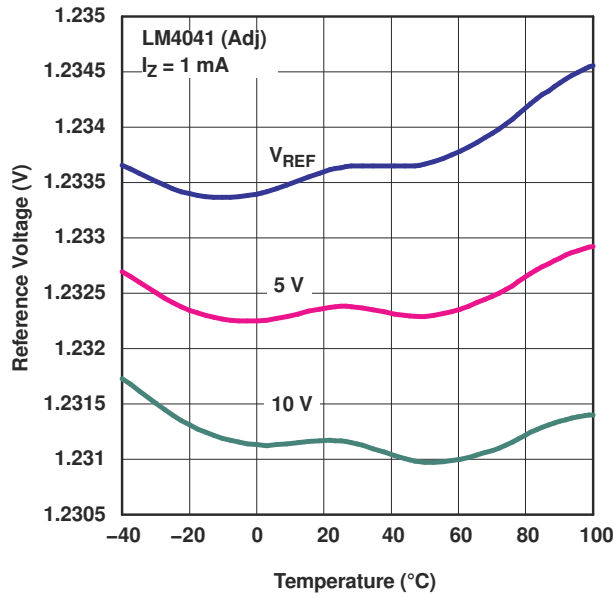


Figure 13-5. Reference Voltage vs Temperature (for Different Reverse Voltages)

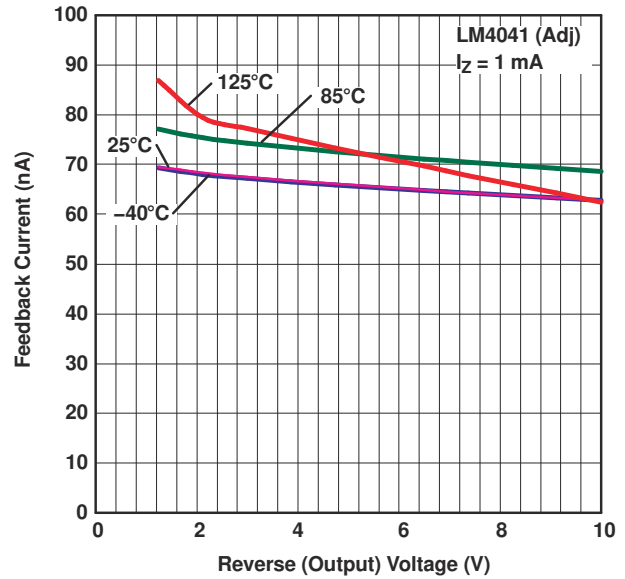


Figure 13-6. Feedback Current vs Reverse (Output) Voltage (for Different Temperatures)

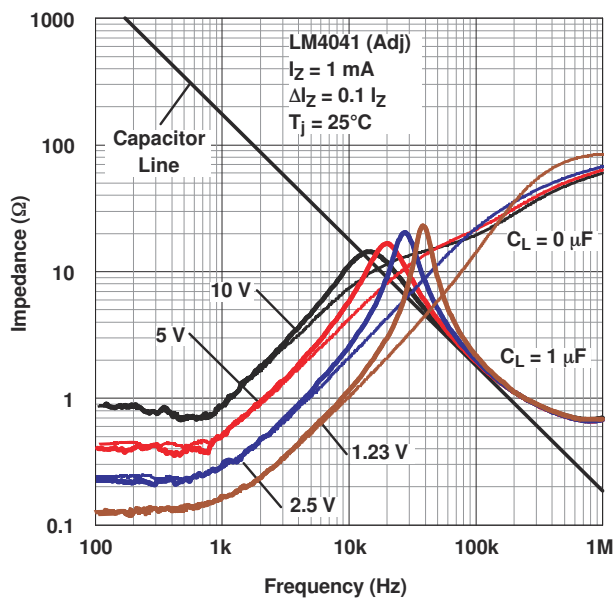


Figure 13-7. Output Impedance vs Frequency

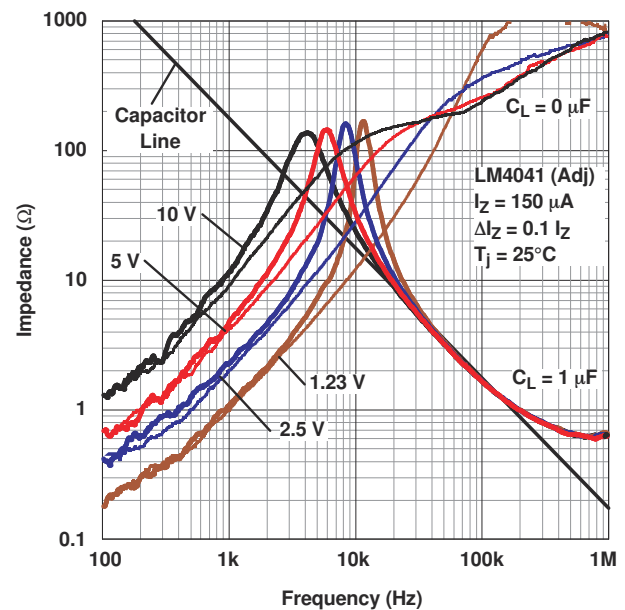


Figure 13-8. Output Impedance vs Frequency

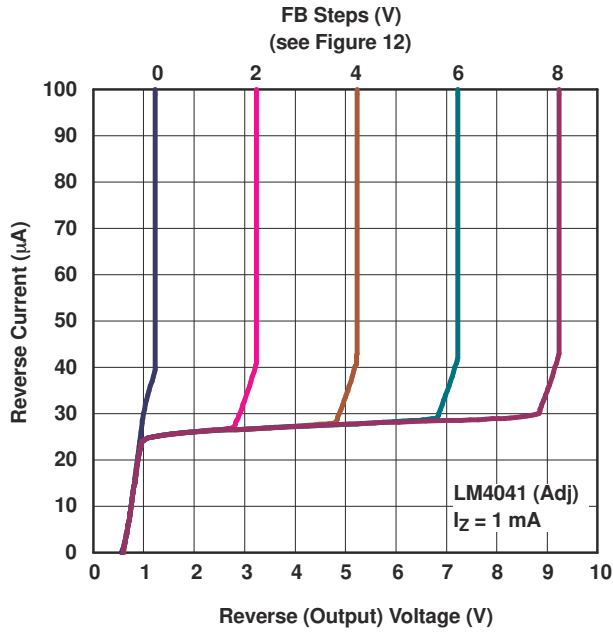


Figure 13-9. Reverse Characteristics

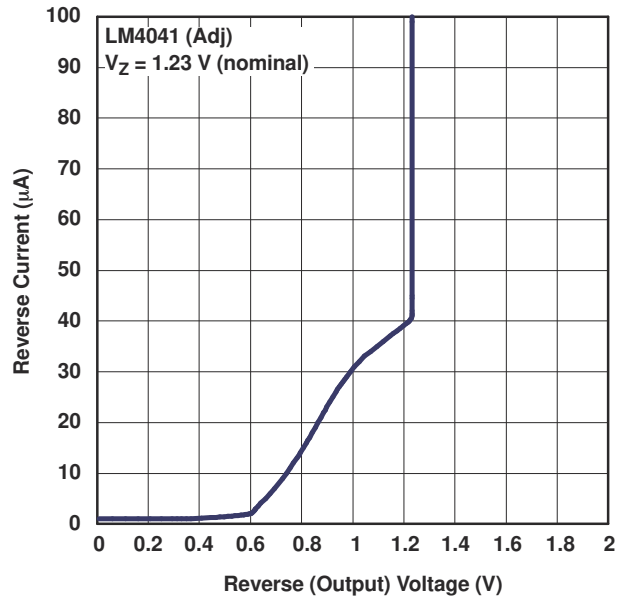


Figure 13-10. Reverse Characteristics and Minimum Operating Current

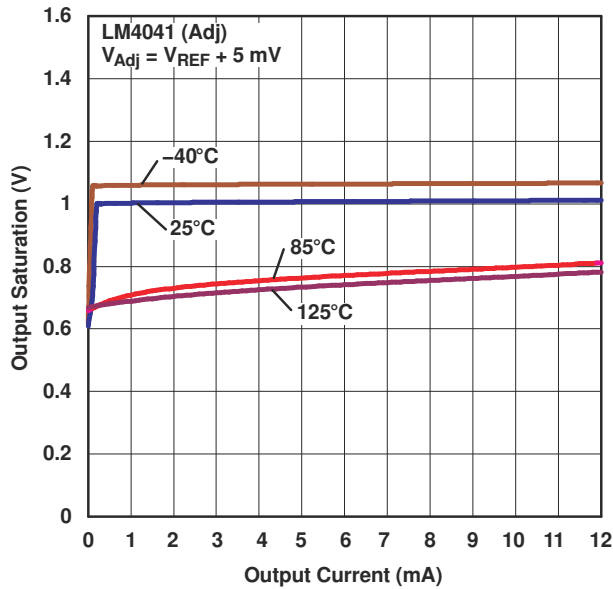


Figure 13-11. Output Saturation vs Output Current

14 Application Information

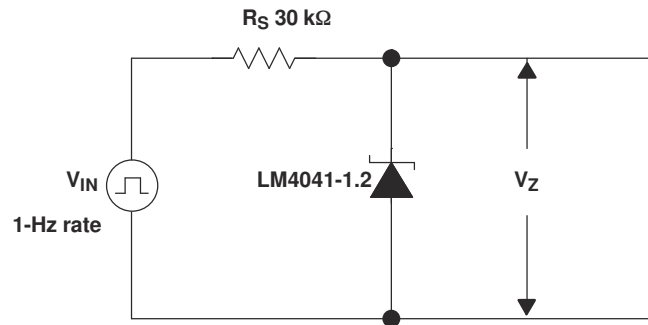


Figure 14-1. Startup Characteristics Test Circuit

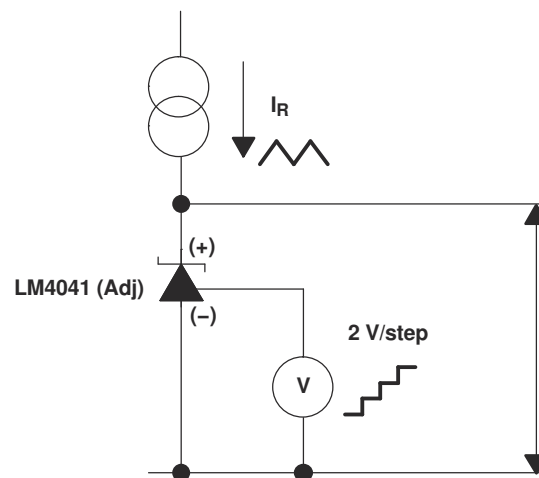


Figure 14-2. Reverse Characteristics Test Circuit

14.1 Output Capacitor

The LM4041 does not require an output capacitor across CATHODE and ANODE for stability. However, if an output bypass capacitor is desired, the LM4041 is designed to be stable with all capacitive loads.

14.2 SOT-23 and SC-70 Pin Connections

There is a parasitic Schottky diode connected between pins 2 and 3 of the SOT-23 packaged device. Thus, pin 3 of the SOT-23 package must be left floating or connected to pin 2. Similarly, pin 2 of the SC-70 package also must be left floating or connected to pin 1.

14.3 Adjustable Version

The adjustable version allows V_Z to be set by a user-defined resistor divider. The output voltage, V_Z , is set according to the equation shown in Figure 14-3.

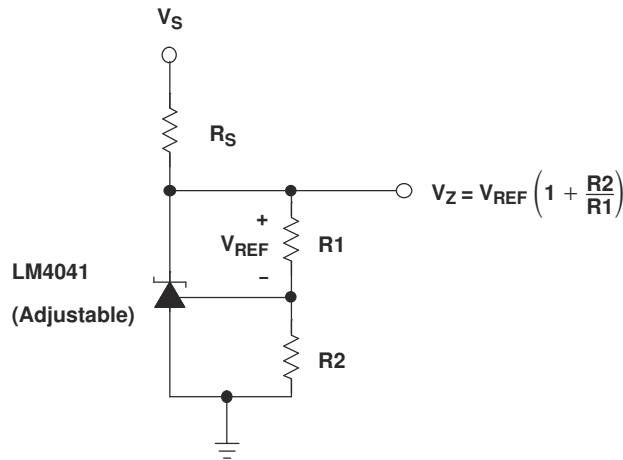


Figure 14-3. Adjustable Shunt Regulator

14.4 Cathode and Load Currents

In a typical shunt regulator configuration (see Figure 14-4), an external resistor, R_S , is connected between the supply and the cathode of the LM4041. R_S must be set properly, as it sets the total current available to supply the load (I_L) and bias the LM4041 (I_Z). In all cases, I_Z must stay within a specified range for proper operation of the reference. Taking into consideration one extreme in the variation of the load and supply voltage (maximum I_L and minimum V_S), R_S must be small enough to supply the minimum I_Z required for operation of the regulator, as given by data sheet parameters. At the other extreme, maximum V_S and minimum I_L , R_S must be large enough to limit I_Z to less than its maximum recommended rating of 12 mA.

R_S is calculated as shown in Equation 1.

$$R_S = \frac{(V_S - V_Z)}{(I_L + I_Z)} \quad (1)$$

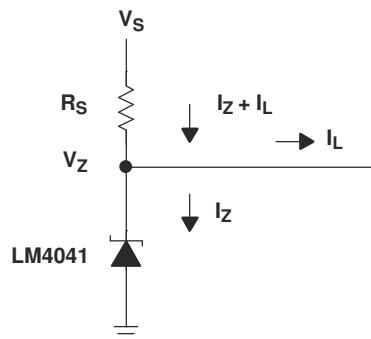


Figure 14-4. Shunt Regulator

15 Revision History

NOTE: Page numbers for previous revisions may differ from page numbers in the current version.

| Changes from Revision E (February 2006) to Revision F (September 2020) | Page |
|---|-------------|
| • Updated the numbering format for tables, figures and cross-references throughout the document..... | 1 |
| • Deleted <i>Ordering Information</i> table. See Mechanical, Packaging, and Orderable Information at the end of the data sheet..... | 2 |

16 Mechanical, Packaging, and Orderable Information

The following pages include mechanical, packaging, and orderable information. This information is the most current data available for the designated devices. This data is subject to change without notice and revision of this document. For browser-based versions of this data sheet, refer to the left-hand navigation.

PACKAGING INFORMATION

| Orderable Device | Status (1) | Package Type | Package Drawing | Pins | Package Qty | Eco Plan (2) | Lead finish/ Ball material (6) | MSL Peak Temp (3) | Op Temp (°C) | Device Marking (4/5) | Samples |
|------------------|---------------|--------------|-----------------|------|-------------|-----------------|--------------------------------------|----------------------|--------------|-------------------------|-------------------------|
| LM4041A12IDBZR | ACTIVE | SOT-23 | DBZ | 3 | 3000 | RoHS & Green | NIPDAU SN | Level-1-260C-UNLIM | -40 to 85 | (4MK3, 4MKU) | Samples |
| LM4041A12IDBZT | ACTIVE | SOT-23 | DBZ | 3 | 250 | RoHS & Green | NIPDAU | Level-1-260C-UNLIM | -40 to 85 | (4MK3, 4MKU) | Samples |
| LM4041A12IDCKR | ACTIVE | SC70 | DCK | 5 | 3000 | RoHS & Green | NIPDAU | Level-1-260C-UNLIM | -40 to 85 | MKU | Samples |
| LM4041B12IDBZR | ACTIVE | SOT-23 | DBZ | 3 | 3000 | RoHS & Green | NIPDAU | Level-1-260C-UNLIM | -40 to 85 | (4ML3, 4MLU) | Samples |
| LM4041B12IDBZT | ACTIVE | SOT-23 | DBZ | 3 | 250 | RoHS & Green | NIPDAU | Level-1-260C-UNLIM | -40 to 85 | (4ML3, 4MLU) | Samples |
| LM4041B12IDCKR | ACTIVE | SC70 | DCK | 5 | 3000 | RoHS & Green | NIPDAU | Level-1-260C-UNLIM | -40 to 85 | MLU | Samples |
| LM4041BIDBZR | ACTIVE | SOT-23 | DBZ | 3 | 3000 | RoHS & Green | NIPDAU | Level-1-260C-UNLIM | -40 to 85 | (4MG3, 4MGU) | Samples |
| LM4041BIDBZT | ACTIVE | SOT-23 | DBZ | 3 | 250 | RoHS & Green | NIPDAU | Level-1-260C-UNLIM | -40 to 85 | (4MG3, 4MGU) | Samples |
| LM4041BIDCKR | ACTIVE | SC70 | DCK | 5 | 3000 | RoHS & Green | NIPDAU | Level-1-260C-UNLIM | -40 to 85 | MGU | Samples |
| LM4041BIDCKT | ACTIVE | SC70 | DCK | 5 | 250 | RoHS & Green | NIPDAU | Level-1-260C-UNLIM | -40 to 85 | MGU | Samples |
| LM4041C12IDBZR | ACTIVE | SOT-23 | DBZ | 3 | 3000 | RoHS & Green | NIPDAU | Level-1-260C-UNLIM | -40 to 85 | (4MM3, 4MMU) | Samples |
| LM4041C12IDBZT | ACTIVE | SOT-23 | DBZ | 3 | 250 | RoHS & Green | NIPDAU | Level-1-260C-UNLIM | -40 to 85 | (4MM3, 4MMU) | Samples |
| LM4041C12IDCKR | ACTIVE | SC70 | DCK | 5 | 3000 | RoHS & Green | NIPDAU | Level-1-260C-UNLIM | -40 to 85 | MMU | Samples |
| LM4041C12IDCKRE4 | ACTIVE | SC70 | DCK | 5 | 3000 | RoHS & Green | NIPDAU | Level-1-260C-UNLIM | -40 to 85 | MMU | Samples |
| LM4041C12IDCKRG4 | ACTIVE | SC70 | DCK | 5 | 3000 | RoHS & Green | NIPDAU | Level-1-260C-UNLIM | -40 to 85 | MMU | Samples |
| LM4041C12ILP | ACTIVE | TO-92 | LP | 3 | 1000 | RoHS & Green | SN | N / A for Pkg Type | -40 to 85 | NPC12I | Samples |
| LM4041C12ILPR | ACTIVE | TO-92 | LP | 3 | 2000 | RoHS & Green | SN | N / A for Pkg Type | -40 to 85 | NPC12I | Samples |
| LM4041C12QDBZR | ACTIVE | SOT-23 | DBZ | 3 | 3000 | RoHS & Green | NIPDAU | Level-1-260C-UNLIM | -40 to 125 | (4MS3, 4MSU) | Samples |
| LM4041C12QDBZT | ACTIVE | SOT-23 | DBZ | 3 | 250 | RoHS & Green | NIPDAU | Level-1-260C-UNLIM | -40 to 125 | (4MS3, 4MSU) | Samples |
| LM4041CIDBZR | ACTIVE | SOT-23 | DBZ | 3 | 3000 | RoHS & Green | NIPDAU | Level-1-260C-UNLIM | -40 to 85 | (4MH3, 4MHU) | Samples |

| Orderable Device | Status (1) | Package Type | Package Drawing | Pins | Package Qty | Eco Plan (2) | Lead finish/ Ball material (6) | MSL Peak Temp (3) | Op Temp (°C) | Device Marking (4/5) | Samples |
|------------------|---------------|--------------|-----------------|------|-------------|-----------------|--------------------------------------|----------------------|--------------|-------------------------|-------------------------|
| LM4041CIDBZT | ACTIVE | SOT-23 | DBZ | 3 | 250 | RoHS & Green | NIPDAU | Level-1-260C-UNLIM | -40 to 85 | (4MH3, 4MHU) | Samples |
| LM4041CIDCKR | ACTIVE | SC70 | DCK | 5 | 3000 | RoHS & Green | NIPDAU | Level-1-260C-UNLIM | -40 to 85 | MHU | Samples |
| LM4041CIDCKT | ACTIVE | SC70 | DCK | 5 | 250 | RoHS & Green | NIPDAU | Level-1-260C-UNLIM | -40 to 85 | MHU | Samples |
| LM4041CILP | LIFEBUY | TO-92 | LP | 3 | 1000 | RoHS & Green | SN | N / A for Pkg Type | -40 to 85 | NPCI | |
| LM4041CILPE3 | NRND | TO-92 | LP | 3 | 1000 | RoHS & Green | SN | N / A for Pkg Type | -40 to 85 | NPCI | |
| LM4041CILPR | LIFEBUY | TO-92 | LP | 3 | 2000 | RoHS & Green | SN | N / A for Pkg Type | -40 to 85 | NPCI | |
| LM4041CQDBZR | ACTIVE | SOT-23 | DBZ | 3 | 3000 | RoHS & Green | NIPDAU | Level-1-260C-UNLIM | -40 to 125 | (4MP3, 4MPU) | Samples |
| LM4041CQDBZT | ACTIVE | SOT-23 | DBZ | 3 | 250 | RoHS & Green | NIPDAU | Level-1-260C-UNLIM | -40 to 125 | (4MP3, 4MPU) | Samples |
| LM4041D12IDBZR | ACTIVE | SOT-23 | DBZ | 3 | 3000 | RoHS & Green | NIPDAU | Level-1-260C-UNLIM | -40 to 85 | (4MN3, 4MNU) | Samples |
| LM4041D12IDBZT | ACTIVE | SOT-23 | DBZ | 3 | 250 | RoHS & Green | NIPDAU | Level-1-260C-UNLIM | -40 to 85 | (4MN3, 4MNU) | Samples |
| LM4041D12IDCKR | ACTIVE | SC70 | DCK | 5 | 3000 | RoHS & Green | NIPDAU | Level-1-260C-UNLIM | -40 to 85 | MNU | Samples |
| LM4041D12ILP | ACTIVE | TO-92 | LP | 3 | 1000 | RoHS & Green | SN | N / A for Pkg Type | -40 to 85 | NPD12I | Samples |
| LM4041D12ILPE3 | ACTIVE | TO-92 | LP | 3 | 1000 | RoHS & Green | SN | N / A for Pkg Type | -40 to 85 | NPD12I | Samples |
| LM4041D12ILPR | ACTIVE | TO-92 | LP | 3 | 2000 | RoHS & Green | SN | N / A for Pkg Type | -40 to 85 | NPD12I | Samples |
| LM4041D12QDBZR | ACTIVE | SOT-23 | DBZ | 3 | 3000 | RoHS & Green | NIPDAU | Level-1-260C-UNLIM | -40 to 125 | (4MT3, 4MTU) | Samples |
| LM4041DIDBZR | ACTIVE | SOT-23 | DBZ | 3 | 3000 | RoHS & Green | NIPDAU | Level-1-260C-UNLIM | -40 to 85 | (4MJ3, 4MJU) | Samples |
| LM4041DIDBZRG4 | ACTIVE | SOT-23 | DBZ | 3 | 3000 | RoHS & Green | NIPDAU | Level-1-260C-UNLIM | -40 to 85 | (4MJ3, 4MJU) | Samples |
| LM4041DIDBZT | ACTIVE | SOT-23 | DBZ | 3 | 250 | RoHS & Green | NIPDAU | Level-1-260C-UNLIM | -40 to 85 | (4MJ3, 4MJU) | Samples |
| LM4041DIDCKR | ACTIVE | SC70 | DCK | 5 | 3000 | RoHS & Green | NIPDAU | Level-1-260C-UNLIM | -40 to 85 | MJU | Samples |
| LM4041DILP | LIFEBUY | TO-92 | LP | 3 | 1000 | RoHS & Green | SN | N / A for Pkg Type | -40 to 85 | NPDI | |
| LM4041DILPR | LIFEBUY | TO-92 | LP | 3 | 2000 | RoHS & Green | SN | N / A for Pkg Type | -40 to 85 | NPDI | |
| LM4041DQDBZR | ACTIVE | SOT-23 | DBZ | 3 | 3000 | RoHS & Green | NIPDAU | Level-1-260C-UNLIM | -40 to 125 | (4MR3, 4MRU) | Samples |
| LM4041DQDBZRG4 | ACTIVE | SOT-23 | DBZ | 3 | 3000 | RoHS & Green | NIPDAU | Level-1-260C-UNLIM | -40 to 125 | (4MR3, 4MRU) | Samples |

| Orderable Device | Status (1) | Package Type | Package Drawing | Pins | Package Qty | Eco Plan (2) | Lead finish/ Ball material (6) | MSL Peak Temp (3) | Op Temp (°C) | Device Marking (4/5) | Samples |
|------------------|---------------|--------------|-----------------|------|-------------|-----------------|--------------------------------------|----------------------|--------------|-------------------------|---------|
| LM4041DQDBZT | ACTIVE | SOT-23 | DBZ | 3 | 250 | RoHS & Green | NIPDAU | Level-1-260C-UNLIM | -40 to 125 | (4MR3, 4MRU) | Samples |

(1) The marketing status values are defined as follows:

ACTIVE: Product device recommended for new designs.

LIFEBUY: TI has announced that the device will be discontinued, and a lifetime-buy period is in effect.

NRND: Not recommended for new designs. Device is in production to support existing customers, but TI does not recommend using this part in a new design.

PREVIEW: Device has been announced but is not in production. Samples may or may not be available.

OBSELETE: TI has discontinued the production of the device.

(2) **RoHS:** TI defines "RoHS" to mean semiconductor products that are compliant with the current EU RoHS requirements for all 10 RoHS substances, including the requirement that RoHS substance do not exceed 0.1% by weight in homogeneous materials. Where designed to be soldered at high temperatures, "RoHS" products are suitable for use in specified lead-free processes. TI may reference these types of products as "Pb-Free".

RoHS Exempt: TI defines "RoHS Exempt" to mean products that contain lead but are compliant with EU RoHS pursuant to a specific EU RoHS exemption.

Green: TI defines "Green" to mean the content of Chlorine (Cl) and Bromine (Br) based flame retardants meet JS709B low halogen requirements of <=1000ppm threshold. Antimony trioxide based flame retardants must also meet the <=1000ppm threshold requirement.

(3) MSL, Peak Temp. - The Moisture Sensitivity Level rating according to the JEDEC industry standard classifications, and peak solder temperature.

(4) There may be additional marking, which relates to the logo, the lot trace code information, or the environmental category on the device.

(5) Multiple Device Markings will be inside parentheses. Only one Device Marking contained in parentheses and separated by a "~" will appear on a device. If a line is indented then it is a continuation of the previous line and the two combined represent the entire Device Marking for that device.

(6) Lead finish/Ball material - Orderable Devices may have multiple material finish options. Finish options are separated by a vertical ruled line. Lead finish/Ball material values may wrap to two lines if the finish value exceeds the maximum column width.

Important Information and Disclaimer:The information provided on this page represents TI's knowledge and belief as of the date that it is provided. TI bases its knowledge and belief on information provided by third parties, and makes no representation or warranty as to the accuracy of such information. Efforts are underway to better integrate information from third parties. TI has taken and continues to take reasonable steps to provide representative and accurate information but may not have conducted destructive testing or chemical analysis on incoming materials and chemicals. TI and TI suppliers consider certain information to be proprietary, and thus CAS numbers and other limited information may not be available for release.

In no event shall TI's liability arising out of such information exceed the total purchase price of the TI part(s) at issue in this document sold by TI to Customer on an annual basis.

TAPE AND REEL INFORMATION

QUADRANT ASSIGNMENTS FOR PIN 1 ORIENTATION IN TAPE


*All dimensions are nominal

| Device | Package Type | Package Drawing | Pins | SPQ | Reel Diameter (mm) | Reel Width W1 (mm) | A0 (mm) | B0 (mm) | K0 (mm) | P1 (mm) | W (mm) | Pin1 Quadrant |
|----------------|--------------|-----------------|------|------|--------------------|--------------------|---------|---------|---------|---------|--------|---------------|
| LM4041A12IDBZR | SOT-23 | DBZ | 3 | 3000 | 178.0 | 9.2 | 3.15 | 2.77 | 1.22 | 4.0 | 8.0 | Q3 |
| LM4041A12IDBZR | SOT-23 | DBZ | 3 | 3000 | 179.0 | 8.4 | 3.15 | 2.95 | 1.22 | 4.0 | 8.0 | Q3 |
| LM4041A12IDBZT | SOT-23 | DBZ | 3 | 250 | 178.0 | 9.2 | 3.15 | 2.77 | 1.22 | 4.0 | 8.0 | Q3 |
| LM4041A12IDBZT | SOT-23 | DBZ | 3 | 250 | 179.0 | 8.4 | 3.15 | 2.95 | 1.22 | 4.0 | 8.0 | Q3 |
| LM4041A12IDCKR | SC70 | DCK | 5 | 3000 | 179.0 | 8.4 | 2.2 | 2.5 | 1.2 | 4.0 | 8.0 | Q3 |
| LM4041B12IDBZR | SOT-23 | DBZ | 3 | 3000 | 179.0 | 8.4 | 3.15 | 2.95 | 1.22 | 4.0 | 8.0 | Q3 |
| LM4041B12IDBZR | SOT-23 | DBZ | 3 | 3000 | 178.0 | 9.2 | 3.15 | 2.77 | 1.22 | 4.0 | 8.0 | Q3 |
| LM4041B12IDBZT | SOT-23 | DBZ | 3 | 250 | 178.0 | 9.2 | 3.15 | 2.77 | 1.22 | 4.0 | 8.0 | Q3 |
| LM4041B12IDBZT | SOT-23 | DBZ | 3 | 250 | 179.0 | 8.4 | 3.15 | 2.95 | 1.22 | 4.0 | 8.0 | Q3 |
| LM4041B12IDCKR | SC70 | DCK | 5 | 3000 | 179.0 | 8.4 | 2.2 | 2.5 | 1.2 | 4.0 | 8.0 | Q3 |
| LM4041BIDBZR | SOT-23 | DBZ | 3 | 3000 | 179.0 | 8.4 | 3.15 | 2.95 | 1.22 | 4.0 | 8.0 | Q3 |
| LM4041BIDBZR | SOT-23 | DBZ | 3 | 3000 | 178.0 | 9.2 | 3.15 | 2.77 | 1.22 | 4.0 | 8.0 | Q3 |
| LM4041BIDBZT | SOT-23 | DBZ | 3 | 250 | 179.0 | 8.4 | 3.15 | 2.95 | 1.22 | 4.0 | 8.0 | Q3 |
| LM4041BIDBZT | SOT-23 | DBZ | 3 | 250 | 178.0 | 9.2 | 3.15 | 2.77 | 1.22 | 4.0 | 8.0 | Q3 |
| LM4041BIDCKR | SC70 | DCK | 5 | 3000 | 179.0 | 8.4 | 2.2 | 2.5 | 1.2 | 4.0 | 8.0 | Q3 |
| LM4041BIDCKT | SC70 | DCK | 5 | 250 | 179.0 | 8.4 | 2.2 | 2.5 | 1.2 | 4.0 | 8.0 | Q3 |
| LM4041C12IDBZR | SOT-23 | DBZ | 3 | 3000 | 178.0 | 9.2 | 3.15 | 2.77 | 1.22 | 4.0 | 8.0 | Q3 |
| LM4041C12IDBZR | SOT-23 | DBZ | 3 | 3000 | 179.0 | 8.4 | 3.15 | 2.95 | 1.22 | 4.0 | 8.0 | Q3 |

| Device | Package Type | Package Drawing | Pins | SPQ | Reel Diameter (mm) | Reel Width W1 (mm) | A0 (mm) | B0 (mm) | K0 (mm) | P1 (mm) | W (mm) | Pin1 Quadrant |
|----------------|--------------|-----------------|------|------|--------------------|--------------------|---------|---------|---------|---------|--------|---------------|
| LM4041C12IDBZT | SOT-23 | DBZ | 3 | 250 | 179.0 | 8.4 | 3.15 | 2.95 | 1.22 | 4.0 | 8.0 | Q3 |
| LM4041C12IDBZT | SOT-23 | DBZ | 3 | 250 | 178.0 | 9.2 | 3.15 | 2.77 | 1.22 | 4.0 | 8.0 | Q3 |
| LM4041C12IDCKR | SC70 | DCK | 5 | 3000 | 179.0 | 8.4 | 2.2 | 2.5 | 1.2 | 4.0 | 8.0 | Q3 |
| LM4041C12QDBZR | SOT-23 | DBZ | 3 | 3000 | 178.0 | 9.2 | 3.15 | 2.77 | 1.22 | 4.0 | 8.0 | Q3 |
| LM4041C12QDBZR | SOT-23 | DBZ | 3 | 3000 | 179.0 | 8.4 | 3.15 | 2.95 | 1.22 | 4.0 | 8.0 | Q3 |
| LM4041C12QDBZT | SOT-23 | DBZ | 3 | 250 | 178.0 | 9.2 | 3.15 | 2.77 | 1.22 | 4.0 | 8.0 | Q3 |
| LM4041C12QDBZT | SOT-23 | DBZ | 3 | 250 | 179.0 | 8.4 | 3.15 | 2.95 | 1.22 | 4.0 | 8.0 | Q3 |
| LM4041CIDBZR | SOT-23 | DBZ | 3 | 3000 | 178.0 | 9.2 | 3.15 | 2.77 | 1.22 | 4.0 | 8.0 | Q3 |
| LM4041CIDBZR | SOT-23 | DBZ | 3 | 3000 | 179.0 | 8.4 | 3.15 | 2.95 | 1.22 | 4.0 | 8.0 | Q3 |
| LM4041CIDBZT | SOT-23 | DBZ | 3 | 250 | 178.0 | 9.2 | 3.15 | 2.77 | 1.22 | 4.0 | 8.0 | Q3 |
| LM4041CIDBZT | SOT-23 | DBZ | 3 | 250 | 179.0 | 8.4 | 3.15 | 2.95 | 1.22 | 4.0 | 8.0 | Q3 |
| LM4041CIDCKR | SC70 | DCK | 5 | 3000 | 179.0 | 8.4 | 2.2 | 2.5 | 1.2 | 4.0 | 8.0 | Q3 |
| LM4041CIDCKT | SC70 | DCK | 5 | 250 | 179.0 | 8.4 | 2.2 | 2.5 | 1.2 | 4.0 | 8.0 | Q3 |
| LM4041CQDBZR | SOT-23 | DBZ | 3 | 3000 | 178.0 | 9.2 | 3.15 | 2.77 | 1.22 | 4.0 | 8.0 | Q3 |
| LM4041CQDBZR | SOT-23 | DBZ | 3 | 3000 | 179.0 | 8.4 | 3.15 | 2.95 | 1.22 | 4.0 | 8.0 | Q3 |
| LM4041CQDBZT | SOT-23 | DBZ | 3 | 250 | 178.0 | 9.2 | 3.15 | 2.77 | 1.22 | 4.0 | 8.0 | Q3 |
| LM4041CQDBZT | SOT-23 | DBZ | 3 | 250 | 179.0 | 8.4 | 3.15 | 2.95 | 1.22 | 4.0 | 8.0 | Q3 |
| LM4041D12IDBZR | SOT-23 | DBZ | 3 | 3000 | 179.0 | 8.4 | 3.15 | 2.95 | 1.22 | 4.0 | 8.0 | Q3 |
| LM4041D12IDBZR | SOT-23 | DBZ | 3 | 3000 | 178.0 | 9.2 | 3.15 | 2.77 | 1.22 | 4.0 | 8.0 | Q3 |
| LM4041D12IDBZT | SOT-23 | DBZ | 3 | 250 | 178.0 | 9.2 | 3.15 | 2.77 | 1.22 | 4.0 | 8.0 | Q3 |
| LM4041D12IDBZT | SOT-23 | DBZ | 3 | 250 | 179.0 | 8.4 | 3.15 | 2.95 | 1.22 | 4.0 | 8.0 | Q3 |
| LM4041D12IDCKR | SC70 | DCK | 5 | 3000 | 179.0 | 8.4 | 2.2 | 2.5 | 1.2 | 4.0 | 8.0 | Q3 |
| LM4041D12QDBZR | SOT-23 | DBZ | 3 | 3000 | 179.0 | 8.4 | 3.15 | 2.95 | 1.22 | 4.0 | 8.0 | Q3 |
| LM4041D12QDBZR | SOT-23 | DBZ | 3 | 3000 | 178.0 | 9.2 | 3.15 | 2.77 | 1.22 | 4.0 | 8.0 | Q3 |
| LM4041DIDBZR | SOT-23 | DBZ | 3 | 3000 | 179.0 | 8.4 | 3.15 | 2.95 | 1.22 | 4.0 | 8.0 | Q3 |
| LM4041DIDBZR | SOT-23 | DBZ | 3 | 3000 | 178.0 | 9.2 | 3.15 | 2.77 | 1.22 | 4.0 | 8.0 | Q3 |
| LM4041DIDBZT | SOT-23 | DBZ | 3 | 250 | 178.0 | 9.2 | 3.15 | 2.77 | 1.22 | 4.0 | 8.0 | Q3 |
| LM4041DIDCKR | SC70 | DCK | 5 | 3000 | 179.0 | 8.4 | 2.2 | 2.5 | 1.2 | 4.0 | 8.0 | Q3 |
| LM4041DQDBZR | SOT-23 | DBZ | 3 | 3000 | 179.0 | 8.4 | 3.15 | 2.95 | 1.22 | 4.0 | 8.0 | Q3 |
| LM4041DQDBZR | SOT-23 | DBZ | 3 | 3000 | 178.0 | 9.2 | 3.15 | 2.77 | 1.22 | 4.0 | 8.0 | Q3 |
| LM4041DQDBZT | SOT-23 | DBZ | 3 | 250 | 179.0 | 8.4 | 3.15 | 2.95 | 1.22 | 4.0 | 8.0 | Q3 |
| LM4041DQDBZT | SOT-23 | DBZ | 3 | 250 | 178.0 | 9.2 | 3.15 | 2.77 | 1.22 | 4.0 | 8.0 | Q3 |

TAPE AND REEL BOX DIMENSIONS


*All dimensions are nominal

| Device | Package Type | Package Drawing | Pins | SPQ | Length (mm) | Width (mm) | Height (mm) |
|----------------|--------------|-----------------|------|------|-------------|------------|-------------|
| LM4041A12IDBZR | SOT-23 | DBZ | 3 | 3000 | 180.0 | 180.0 | 18.0 |
| LM4041A12IDBZR | SOT-23 | DBZ | 3 | 3000 | 200.0 | 183.0 | 25.0 |
| LM4041A12IDBZT | SOT-23 | DBZ | 3 | 250 | 180.0 | 180.0 | 18.0 |
| LM4041A12IDBZT | SOT-23 | DBZ | 3 | 250 | 203.0 | 203.0 | 35.0 |
| LM4041A12IDCKR | SC70 | DCK | 5 | 3000 | 200.0 | 183.0 | 25.0 |
| LM4041B12IDBZR | SOT-23 | DBZ | 3 | 3000 | 203.0 | 203.0 | 35.0 |
| LM4041B12IDBZR | SOT-23 | DBZ | 3 | 3000 | 180.0 | 180.0 | 18.0 |
| LM4041B12IDBZT | SOT-23 | DBZ | 3 | 250 | 180.0 | 180.0 | 18.0 |
| LM4041B12IDBZT | SOT-23 | DBZ | 3 | 250 | 203.0 | 203.0 | 35.0 |
| LM4041B12IDCKR | SC70 | DCK | 5 | 3000 | 200.0 | 183.0 | 25.0 |
| LM4041BIDBZR | SOT-23 | DBZ | 3 | 3000 | 200.0 | 183.0 | 25.0 |
| LM4041BIDBZR | SOT-23 | DBZ | 3 | 3000 | 180.0 | 180.0 | 18.0 |
| LM4041BIDBZT | SOT-23 | DBZ | 3 | 250 | 200.0 | 183.0 | 25.0 |
| LM4041BIDBZT | SOT-23 | DBZ | 3 | 250 | 180.0 | 180.0 | 18.0 |
| LM4041BIDCKR | SC70 | DCK | 5 | 3000 | 200.0 | 183.0 | 25.0 |
| LM4041BIDCKT | SC70 | DCK | 5 | 250 | 203.0 | 203.0 | 35.0 |
| LM4041C12IDBZR | SOT-23 | DBZ | 3 | 3000 | 180.0 | 180.0 | 18.0 |
| LM4041C12IDBZR | SOT-23 | DBZ | 3 | 3000 | 200.0 | 183.0 | 25.0 |
| LM4041C12IDBZT | SOT-23 | DBZ | 3 | 250 | 200.0 | 183.0 | 25.0 |
| LM4041C12IDBZT | SOT-23 | DBZ | 3 | 250 | 180.0 | 180.0 | 18.0 |

| Device | Package Type | Package Drawing | Pins | SPQ | Length (mm) | Width (mm) | Height (mm) |
|----------------|--------------|-----------------|------|------|-------------|------------|-------------|
| LM4041C12IDCKR | SC70 | DCK | 5 | 3000 | 200.0 | 183.0 | 25.0 |
| LM4041C12QDBZR | SOT-23 | DBZ | 3 | 3000 | 180.0 | 180.0 | 18.0 |
| LM4041C12QDBZR | SOT-23 | DBZ | 3 | 3000 | 200.0 | 183.0 | 25.0 |
| LM4041C12QDBZT | SOT-23 | DBZ | 3 | 250 | 180.0 | 180.0 | 18.0 |
| LM4041C12QDBZT | SOT-23 | DBZ | 3 | 250 | 200.0 | 183.0 | 25.0 |
| LM4041CIDBZR | SOT-23 | DBZ | 3 | 3000 | 180.0 | 180.0 | 18.0 |
| LM4041CIDBZR | SOT-23 | DBZ | 3 | 3000 | 200.0 | 183.0 | 25.0 |
| LM4041CIDBZT | SOT-23 | DBZ | 3 | 250 | 180.0 | 180.0 | 18.0 |
| LM4041CIDBZT | SOT-23 | DBZ | 3 | 250 | 203.0 | 203.0 | 35.0 |
| LM4041CIDCKR | SC70 | DCK | 5 | 3000 | 200.0 | 183.0 | 25.0 |
| LM4041CIDCKT | SC70 | DCK | 5 | 250 | 200.0 | 183.0 | 25.0 |
| LM4041CQDBZR | SOT-23 | DBZ | 3 | 3000 | 180.0 | 180.0 | 18.0 |
| LM4041CQDBZR | SOT-23 | DBZ | 3 | 3000 | 200.0 | 183.0 | 25.0 |
| LM4041CQDBZT | SOT-23 | DBZ | 3 | 250 | 180.0 | 180.0 | 18.0 |
| LM4041CQDBZT | SOT-23 | DBZ | 3 | 250 | 200.0 | 183.0 | 25.0 |
| LM4041D12IDBZR | SOT-23 | DBZ | 3 | 3000 | 203.0 | 203.0 | 35.0 |
| LM4041D12IDBZR | SOT-23 | DBZ | 3 | 3000 | 180.0 | 180.0 | 18.0 |
| LM4041D12IDBZT | SOT-23 | DBZ | 3 | 250 | 180.0 | 180.0 | 18.0 |
| LM4041D12IDBZT | SOT-23 | DBZ | 3 | 250 | 203.0 | 203.0 | 35.0 |
| LM4041D12IDCKR | SC70 | DCK | 5 | 3000 | 200.0 | 183.0 | 25.0 |
| LM4041D12QDBZR | SOT-23 | DBZ | 3 | 3000 | 203.0 | 203.0 | 35.0 |
| LM4041D12QDBZR | SOT-23 | DBZ | 3 | 3000 | 180.0 | 180.0 | 18.0 |
| LM4041DIDBZR | SOT-23 | DBZ | 3 | 3000 | 200.0 | 183.0 | 25.0 |
| LM4041DIDBZR | SOT-23 | DBZ | 3 | 3000 | 180.0 | 180.0 | 18.0 |
| LM4041DIDBZT | SOT-23 | DBZ | 3 | 250 | 180.0 | 180.0 | 18.0 |
| LM4041DIDCKR | SC70 | DCK | 5 | 3000 | 200.0 | 183.0 | 25.0 |
| LM4041DQDBZR | SOT-23 | DBZ | 3 | 3000 | 200.0 | 183.0 | 25.0 |
| LM4041DQDBZR | SOT-23 | DBZ | 3 | 3000 | 180.0 | 180.0 | 18.0 |
| LM4041DQDBZT | SOT-23 | DBZ | 3 | 250 | 203.0 | 203.0 | 35.0 |
| LM4041DQDBZT | SOT-23 | DBZ | 3 | 250 | 180.0 | 180.0 | 18.0 |

GENERIC PACKAGE VIEW

LP 3

TO-92 - 5.34 mm max height

TRANSISTOR OUTLINE



Images above are just a representation of the package family, actual package may vary.
Refer to the product data sheet for package details.

4040001-2/F

LP0003A



PACKAGE OUTLINE

TO-92 - 5.34 mm max height

TO-92



4215214/B 04/2017

NOTES:

1. All linear dimensions are in millimeters. Any dimensions in parenthesis are for reference only. Dimensioning and tolerancing per ASME Y14.5M.
2. This drawing is subject to change without notice.
3. Lead dimensions are not controlled within this area.
4. Reference JEDEC TO-226, variation AA.
5. Shipping method:
 - a. Straight lead option available in bulk pack only.
 - b. Formed lead option available in tape and reel or ammo pack.
 - c. Specific products can be offered in limited combinations of shipping medium and lead options.
 - d. Consult product folder for more information on available options.

EXAMPLE BOARD LAYOUT

LP0003A

TO-92 - 5.34 mm max height

TO-92



LAND PATTERN EXAMPLE
STRAIGHT LEAD OPTION
NON-SOLDER MASK DEFINED
SCALE:15X



LAND PATTERN EXAMPLE
FORMED LEAD OPTION
NON-SOLDER MASK DEFINED
SCALE:15X

4215214/B 04/2017

TAPE SPECIFICATIONS

LP0003A

TO-92 - 5.34 mm max height

TO-92



FOR FORMED LEAD OPTION PACKAGE

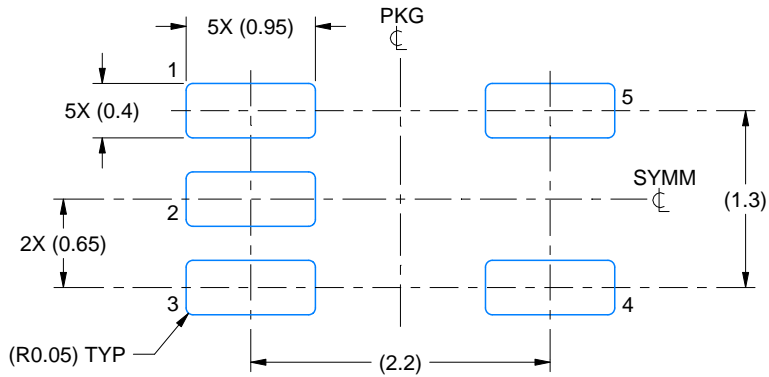
4215214/B 04/2017

EXAMPLE BOARD LAYOUT

DCK0005A

SOT - 1.1 max height

SMALL OUTLINE TRANSISTOR



LAND PATTERN EXAMPLE
EXPOSED METAL SHOWN
SCALE:18X



SOLDER MASK DETAILS

4214834/C 03/2023

NOTES: (continued)

- 4. Publication IPC-7351 may have alternate designs.
- 5. Solder mask tolerances between and around signal pads can vary based on board fabrication site.

EXAMPLE STENCIL DESIGN

DCK0005A

SOT - 1.1 max height

SMALL OUTLINE TRANSISTOR



SOLDER PASTE EXAMPLE
BASED ON 0.125 THICK STENCIL
SCALE:18X

4214834/C 03/2023

NOTES: (continued)

6. Laser cutting apertures with trapezoidal walls and rounded corners may offer better paste release. IPC-7525 may have alternate design recommendations.
7. Board assembly site may have different recommendations for stencil design.

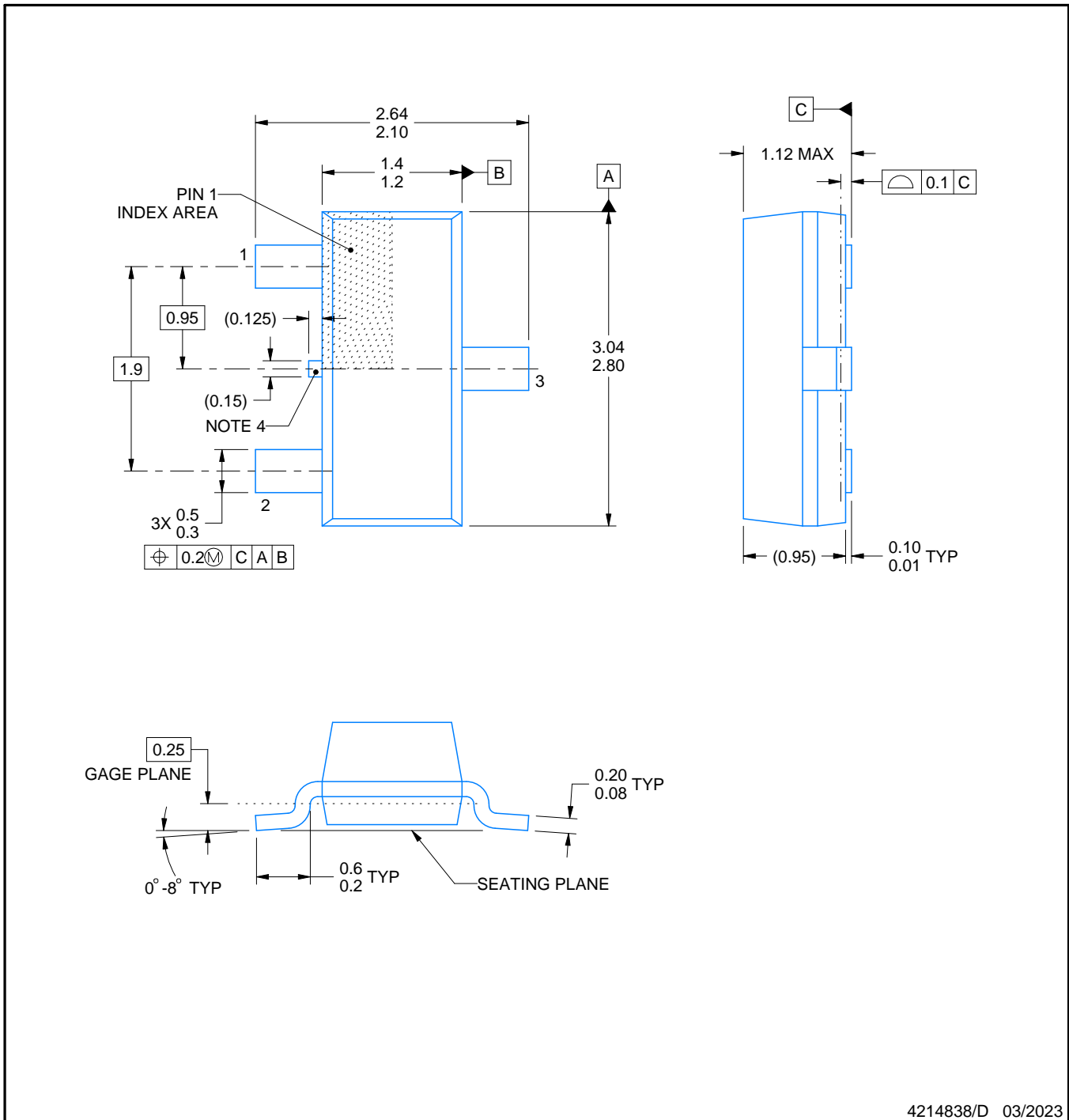
DBZ0003A



PACKAGE OUTLINE

SOT-23 - 1.12 mm max height

SMALL OUTLINE TRANSISTOR



4214838/D 03/2023

NOTES:

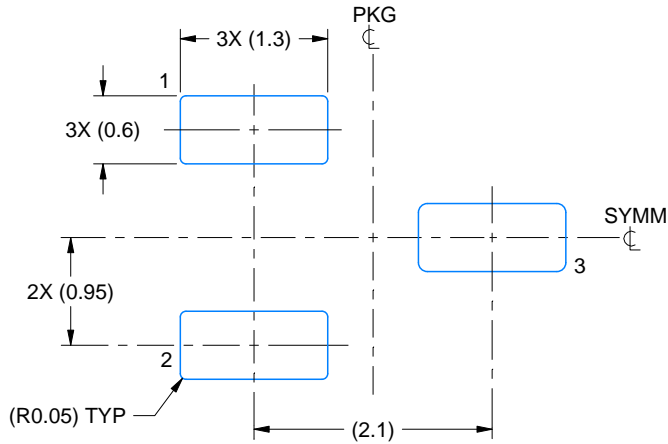
1. All linear dimensions are in millimeters. Any dimensions in parenthesis are for reference only. Dimensioning and tolerancing per ASME Y14.5M.
2. This drawing is subject to change without notice.
3. Reference JEDEC registration TO-236, except minimum foot length.
4. Support pin may differ or may not be present.

EXAMPLE BOARD LAYOUT

DBZ0003A

SOT-23 - 1.12 mm max height

SMALL OUTLINE TRANSISTOR



LAND PATTERN EXAMPLE
SCALE:15X



SOLDER MASK DETAILS

4214838/D 03/2023

NOTES: (continued)

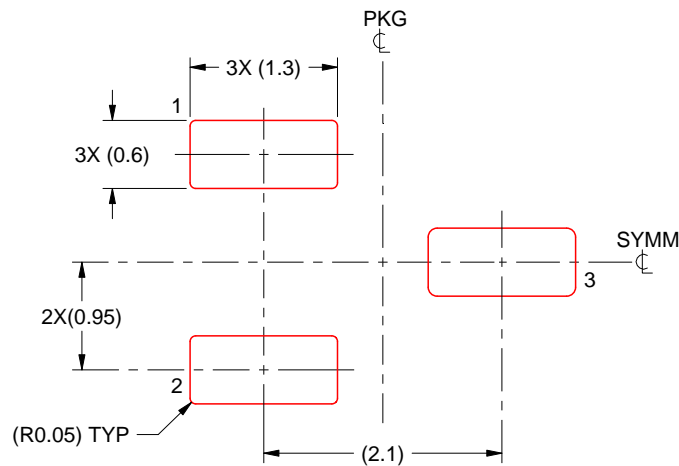
4. Publication IPC-7351 may have alternate designs.
5. Solder mask tolerances between and around signal pads can vary based on board fabrication site.

EXAMPLE STENCIL DESIGN

DBZ0003A

SOT-23 - 1.12 mm max height

SMALL OUTLINE TRANSISTOR



SOLDER PASTE EXAMPLE
BASED ON 0.125 THICK STENCIL
SCALE:15X

4214838/D 03/2023

NOTES: (continued)

6. Laser cutting apertures with trapezoidal walls and rounded corners may offer better paste release. IPC-7525 may have alternate design recommendations.
7. Board assembly site may have different recommendations for stencil design.

IMPORTANT NOTICE AND DISCLAIMER

TI PROVIDES TECHNICAL AND RELIABILITY DATA (INCLUDING DATA SHEETS), DESIGN RESOURCES (INCLUDING REFERENCE DESIGNS), APPLICATION OR OTHER DESIGN ADVICE, WEB TOOLS, SAFETY INFORMATION, AND OTHER RESOURCES "AS IS" AND WITH ALL FAULTS, AND DISCLAIMS ALL WARRANTIES, EXPRESS AND IMPLIED, INCLUDING WITHOUT LIMITATION ANY IMPLIED WARRANTIES OF MERCHANTABILITY, FITNESS FOR A PARTICULAR PURPOSE OR NON-INFRINGEMENT OF THIRD PARTY INTELLECTUAL PROPERTY RIGHTS.

These resources are intended for skilled developers designing with TI products. You are solely responsible for (1) selecting the appropriate TI products for your application, (2) designing, validating and testing your application, and (3) ensuring your application meets applicable standards, and any other safety, security, regulatory or other requirements.

These resources are subject to change without notice. TI grants you permission to use these resources only for development of an application that uses the TI products described in the resource. Other reproduction and display of these resources is prohibited. No license is granted to any other TI intellectual property right or to any third party intellectual property right. TI disclaims responsibility for, and you will fully indemnify TI and its representatives against, any claims, damages, costs, losses, and liabilities arising out of your use of these resources.

TI's products are provided subject to [TI's Terms of Sale](#) or other applicable terms available either on [ti.com](https://www.ti.com) or provided in conjunction with such TI products. TI's provision of these resources does not expand or otherwise alter TI's applicable warranties or warranty disclaimers for TI products.

TI objects to and rejects any additional or different terms you may have proposed.

Mailing Address: Texas Instruments, Post Office Box 655303, Dallas, Texas 75265
Copyright © 2023, Texas Instruments Incorporated