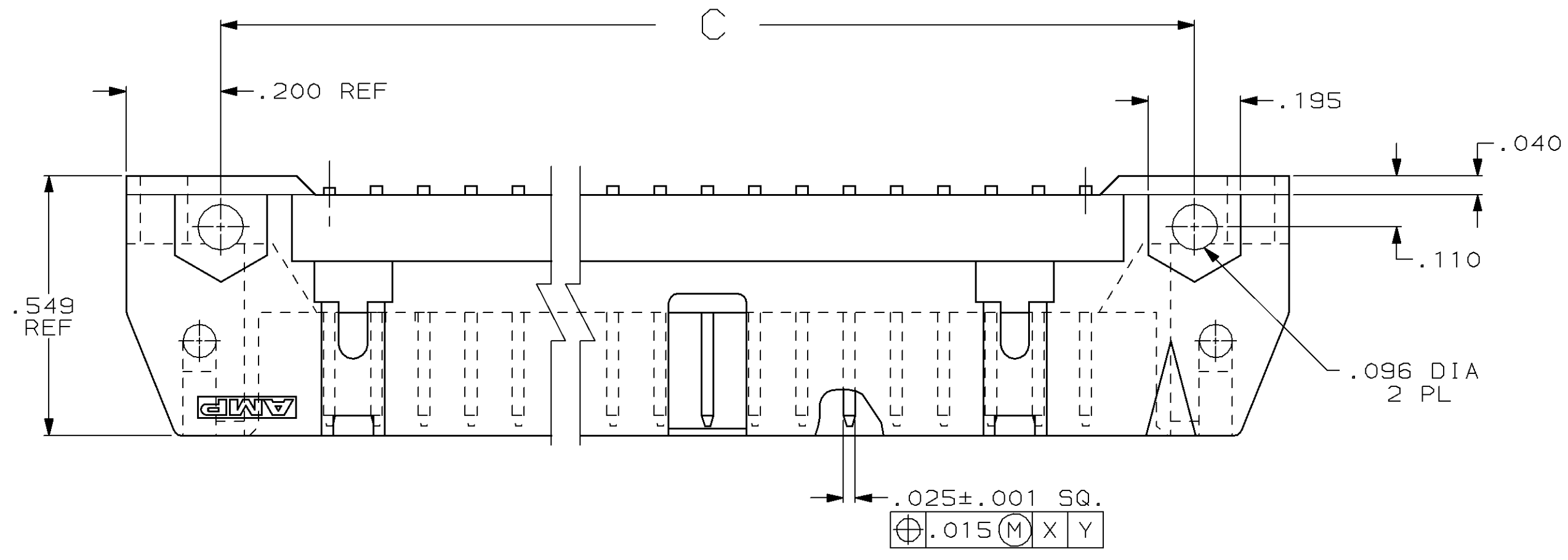
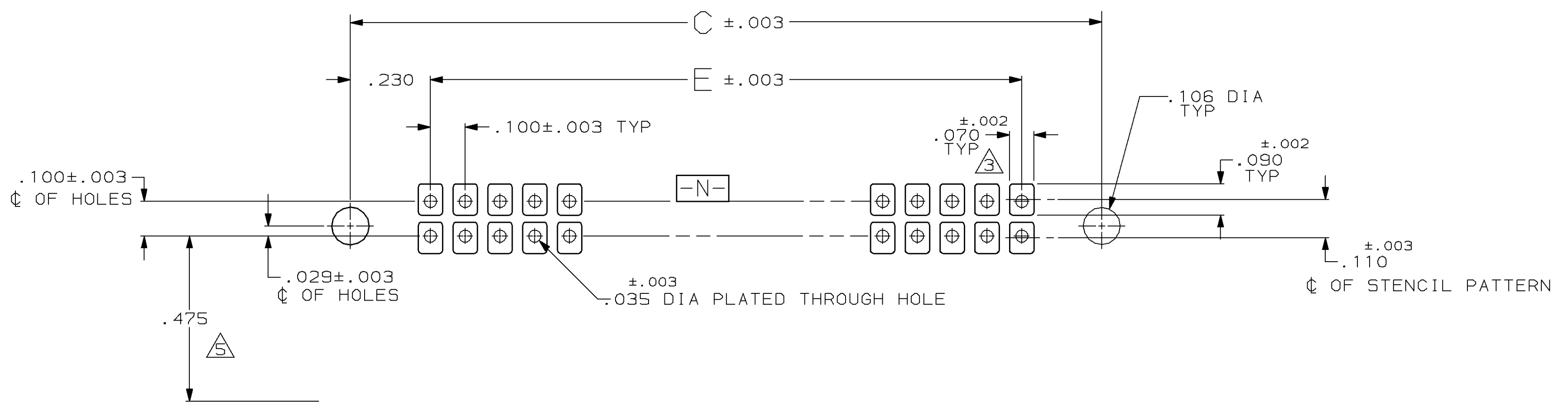
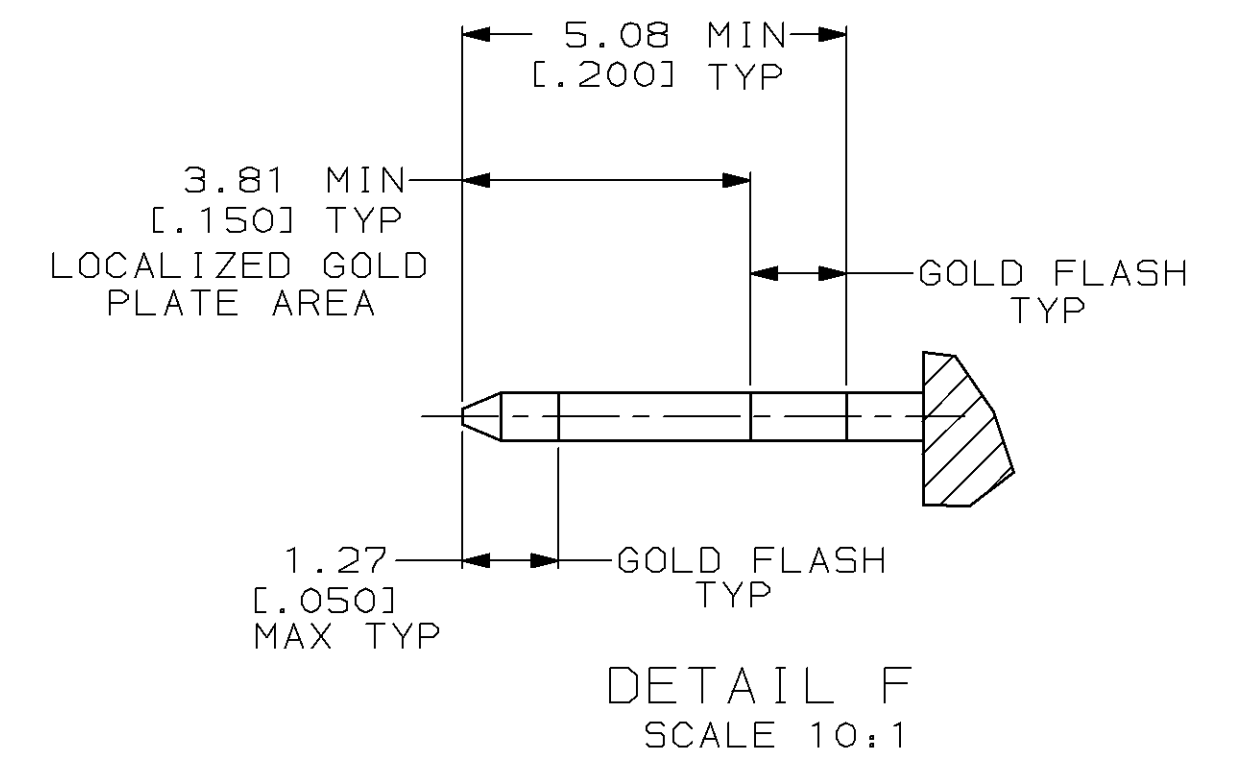
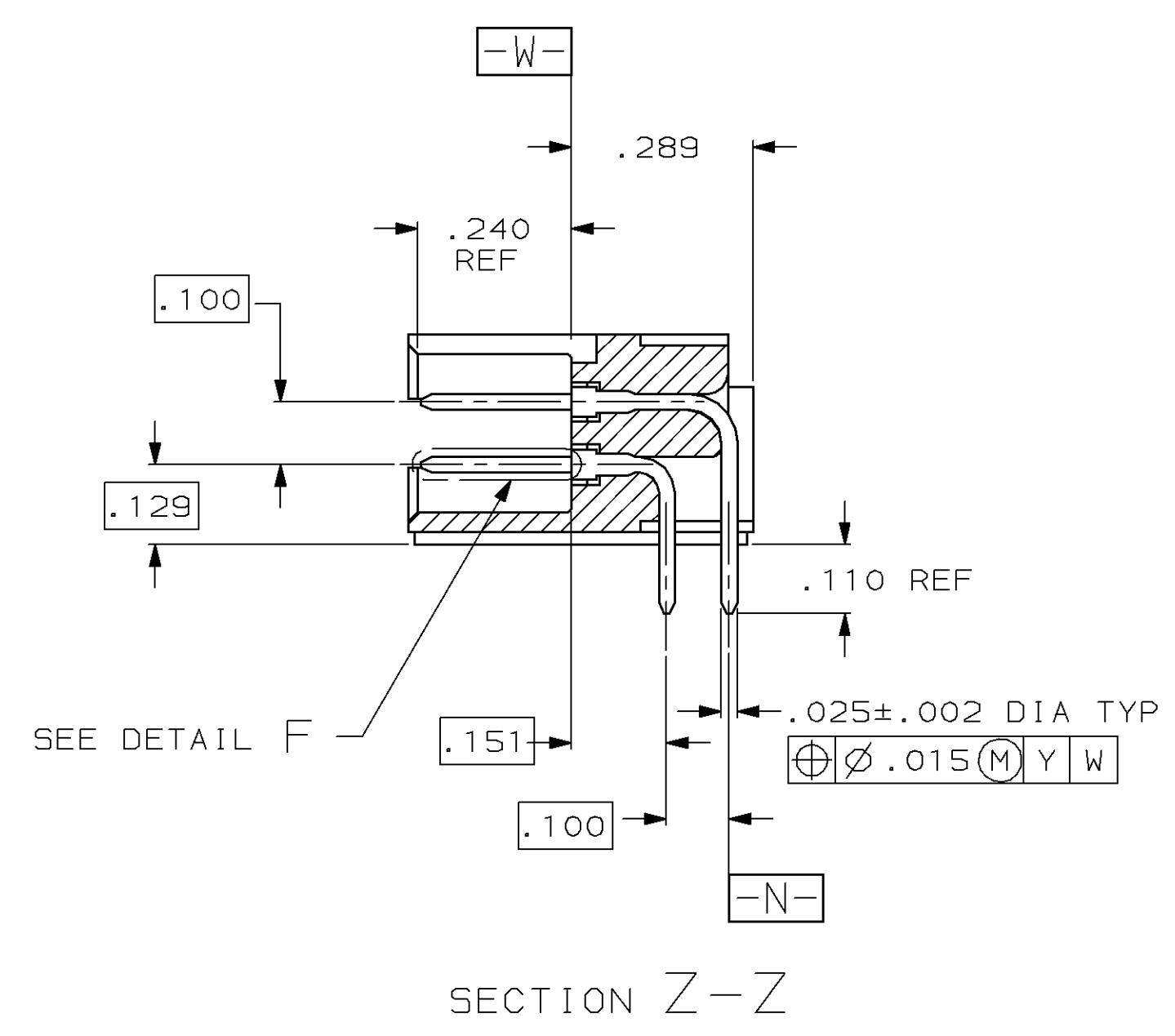
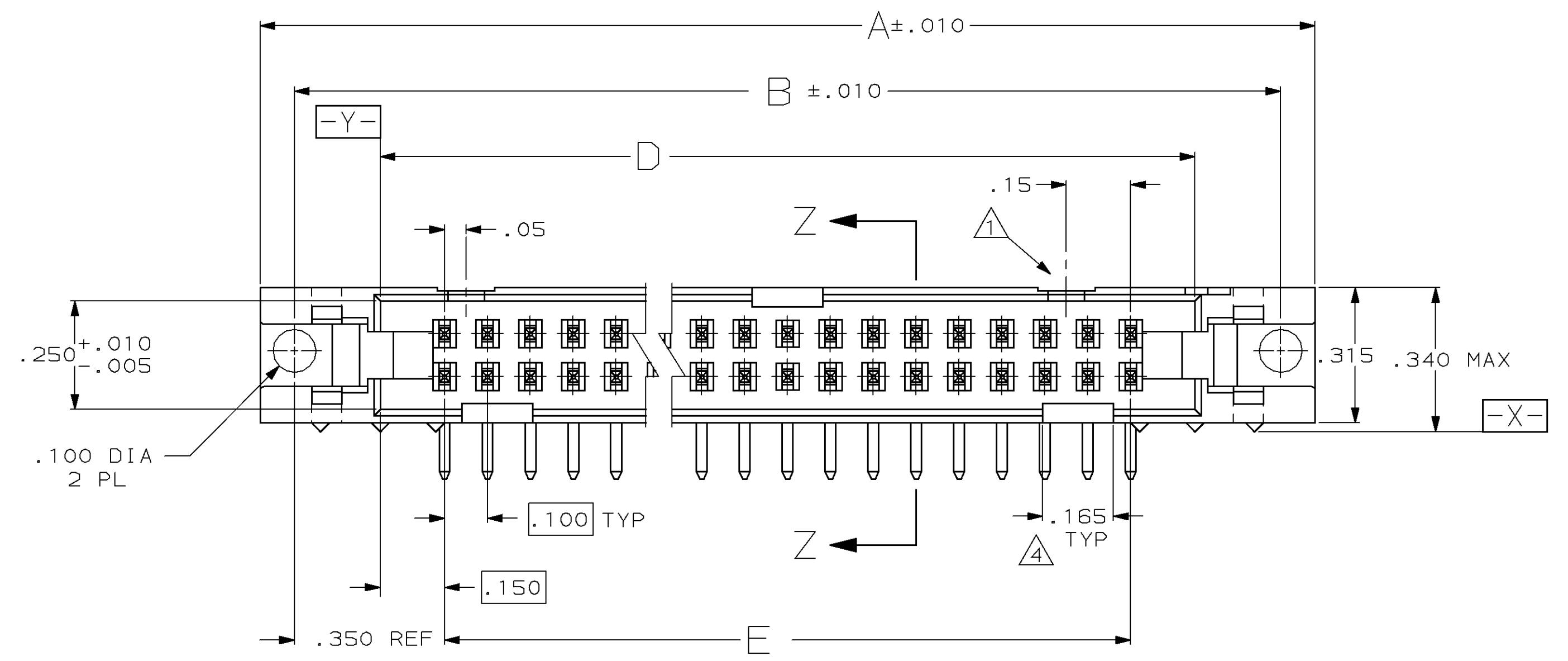


REVISIONS						
P	F	ZONE	LTR	DESCRIPTION	DATE	APPROVED
		0		* TYPICAL HEIC.150		
		A		REVSD/ECN CF-1706	07/88	DH
		B		REV ECN CF1757	10-10-88	
		C		OBS 1-111105-3 PER ECN BD5792	03/30/92	DK
		D		PER EC 0020-0330-96 T.S.	9-25-96	HR



- 1 NO SNAP-IN POLARIZING FEATURE ON THIS END FOR 10 & 14 POS. HEADERS.
- 2 PLATED WITH .000030 GOLD ON MATING AREA, AND .000150 MIN MATTE TIN LEAD ON SOLDER AREA, ALL OVER .000050 NICKEL UNDERPLATE.
- 3 RECOMMENDED STENCIL THICKNESS EQUALS .010
- 4 FOR 10 POS. HEADER ONLY, ONE SLOT LOCATED AS SHOWN.
- 5 MAXIMUM DISTANCE FROM EDGE OF PC BOARD FOR DAISY CHAIN APPLICATIONS
- 6 PLATED WITH GOLD FLASH OVER .000050 NICKEL.



OBSELETE	2.100	2.400	2.560	2.80	2.96	44	1-111105-3
	3.100	3.400	3.560	3.80	3.96	64	1-111105-2
	2.900	3.200	3.360	3.60	3.76	60	1-111105-1
	2.400	2.700	2.860	3.10	3.26	50	1-111105-0
	1.900	2.200	2.360	2.60	2.76	40	111105-9
	1.600	1.900	2.060	2.30	2.46	34	111105-8
	1.400	1.700	1.860	2.10	2.26	30	111105-7
	1.200	1.500	1.660	1.90	2.06	26	111105-6
	1.100	1.400	1.560	1.80	1.96	24	111105-5
	.900	1.200	1.360	1.60	1.76	20	111105-4
	.700	1.000	1.160	1.40	1.56	16	111105-3
	.600	.900	1.060	1.30	1.46	14	111105-2
	.400	.700	.860	1.10	1.26	10	111105-1
	E	D	C	B	A	NO. OF POSN	PART NO

RECOMMENDED  
P C BOARD MOUNTING DIMENSIONS

UNLESS OTHERWISE SPECIFIED DIMENSIONS ARE IN INCHES. TOLERANCES ON: DECIMALS ± .005 ANGLES ±	CONTRACT NO		<b>AMP</b> AMP INCORPORATED Harrisburg, Pa.			
	DR	J. GROFT 5/28/86				
	CHK	M L RUPERT 6-5-86	NAME			
	MATERIAL MOLDED PARTS: 94V-0 RATED THERMOPLASTIC COLOR: RED POST: PHOS BRONZE FINISH POST: $\Delta$		APPD	M L RUPERT 6-5-86	AMP-LATCH UNIVERSAL HEADER, .025 SQ POST, .100 X .100 C RIGHT-ANGLE. FOR VAPOR-PHASE APPLICATIONS	
		APPD	B STEPHENSON 6-5-86			
		DSGN APPD		SIZE	FSCM NO	DRAWING NO
		OTHER APPD		<b>D</b>	00779	111105
				SCALE	4:1	SHEET 1 OF 1