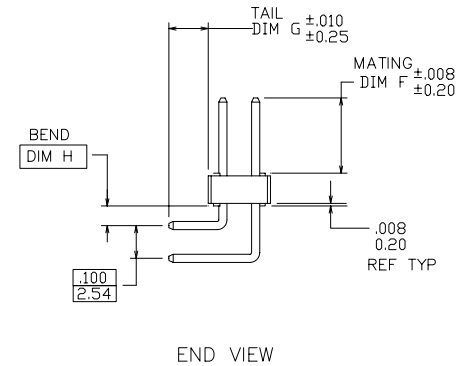
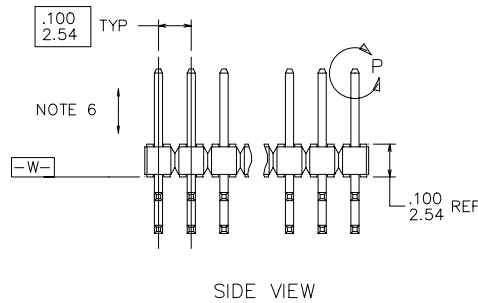
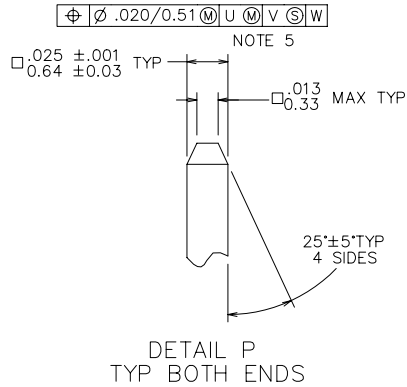
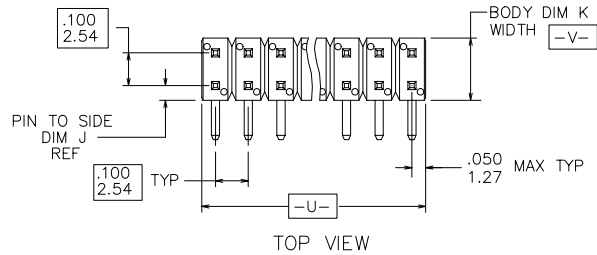


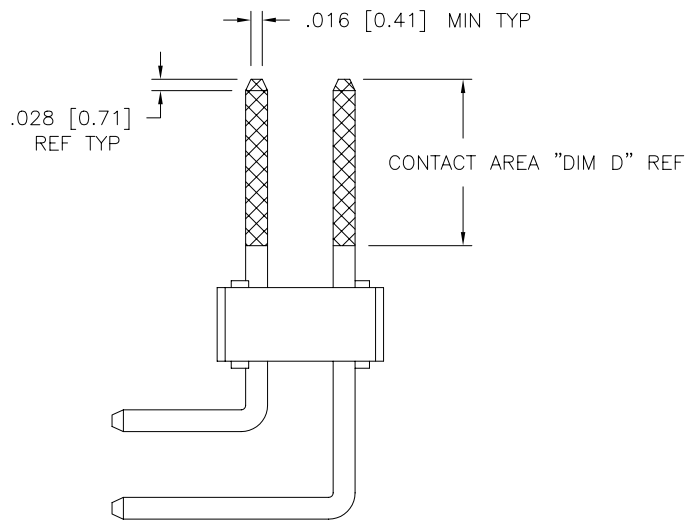
PRODUCT NO.  
XXXXX-YYY TLF

- LEAD FREE OPTION  
SEE NOTE 9 & 10
- TUBE PACKAGING OPTION  
SEE NOTE 8
- NO OF POSITIONS  
SEE NOTE 4
- PLATING NUMBER  
SEE SHEET 2
- BASE PART NO.



mat'l. code		surface		tolerance		projection		product family	
-		ISO 1302 <input checked="" type="checkbox"/>		ISO 406				BERGSTIK	
-				ISO 1101		INCH/MM		title	
A v41425 MSC 9/22/94		tolerances unless otherwise specified		.xx $\pm .01/.3$		scale 2:1		BERGSTIK® II HEADER DUPLEX	
B v61053 EPK 7/31/96		angles		linear				.100/2.54cc DR R/A	
C v61788 HTB 12/12/96		$\sigma \pm 2'$						dwg no	
D M05-0118 ERE 6/02/05		dr		T. BREWBAKER 7/20/94				sheet 1 of 3 size	
E M06-0270 AEA 7/14/06		enfr		T. HANNA 7/20/94				94646 A3	
		chr		J. MURPHY 7/20/94				type	
		appd		T. HANNA 7/22/94				Product Customer Drawing	
sheet index	revision sheet	E	E	E					
	1 2 3								

PLATING NUMBER	CONTACT AREA "DIM. D" (NOTE 3)
XXXX-1YY	30u"/0.76u Au OVER 50u"/1.27u Ni
XXXX-2YY	15u"/0.38u Au OVER 50u"/1.27u Ni



NOTES

- 1. BODY MATERIAL: GLASS FIBER REINFORCED PCT FLAME RETARDENT PER UL-94V-0. COLOR: BLACK.
- 2. PIN MATERIAL: PHOS-BRONZE.
- 3. FINISH:  
CONTACT AREA: SEE TABLE  
SOLDER TAIL: 100u"/2.54u TIN/LEAD (60/40) OVER 50u"/1.27u Ni  
LEAD FREE OPTION:  
SOLDER TAIL: 100u"/2.54u TIN OVER 50u"/1.27u Ni
- 4. ANY NUMBER OF POSITIONS FROM 2 (2X1) THRU 72 (2X36).
- 5. MEASURED WITH PART IN RESRAINED CONDITION.
- 6. 2LBS/0.9KG MIN PIN RETENTION IN EITHER DIRECTION.
- 7. PACKAGED IN POLY BAGS.
- 8. EIGHT DIGIT PART NUMBERS FOLLOWED BY A "1" ARE PACKAGED IN TUBES. SEE SPECIFIC PART NUMBERS FOR AVAILABILITY.
- 9. ADD "LF" SUFFIX AT THE END OF PART NUMBER FOR LEAD FREE OPTION.
- 10. THIS PRODUCT MEETS EUROPEAN UNION DIRECTIVES AND OTHER COUNTRY REGULATION AS DESCRIBED IN GS-22-008.
- 11. THE HOUSING WILL WITHSTAND EXPOSURE TO 260°C PEAK TEMPERATURE FOR 20 SECONDS IN A CONVECTION, INFRA-RED OR VAPOR PHASE REFLOW OVEN. OR FOR FOR 15 SECONDS IN A WAVE SOLDER APPLICATION WITH A 1.5mm MINIMUM THICK CIRCUIT BOARD. SEE APPLICATION NOTES/PROCEDURES IF THEY ARE AVAILABLE.



Copyright FCI

mat'l. code		surface		tolerance		projection		product family	
-		ISO 1302 ✓		ISO 406		⊕		BERGSTIK	
ltr		ecn		no		dr		date	
E									
		angles		linear		.xx ±.01/.3		title	
						.xxx ±.005/.13		BERGSTIK® II HDR DUPLEX	
		σ±2'				.xxxx ±.0020/.051		.100/2.54cc DR R/A	
		dr		E. KROPIEWNICKI		7/31/96		dwg no	
		enr		T. BREWBAKER		7/31/96		sheet 2 of 3	
		chr		T. BREWBAKER		7/31/96		size	
		app		T. BREWBAKER		7/31/96		A3	
sheet		revision						type	
index		sheet						Product Customer Drawing	

PRODUCT NO.	MATING LENGTH		TAIL LENGTH		BEND DIM.		PIN TO SIDE		BODY WIDTH		CONTACT AREA		PACKAGING
	DIM F	DIM F	DIM G	DIM G	DIM H	DIM H	DIM J	DIM J	DIM K	DIM K	DIM D	DIM D	
	ENGLISH	METRIC	ENGLISH	METRIC	ENGLISH	METRIC	ENGLISH	METRIC	ENGLISH	METRIC	ENGLISH	METRIC	
72466-YYY	0.390	9.91	0.100	2.54	0.060	1.52	0.070	1.78	0.240	6.10	0.250	6.35	POLY BAGS
94646-YYY	0.230	5.84	0.095	2.41	0.060	1.52	0.045	1.14	0.190	4.83	0.185	4.70	POLY BAGS
94648-YYY	0.230	5.84	0.120	3.05	0.060	1.52	0.045	1.14	0.190	4.83	0.185	4.70	POLY BAGS
94649-YYY	0.318	8.08	0.107	2.72	0.060	1.52	0.045	1.14	0.190	4.83	0.200	5.08	POLY BAGS
94650-YYY	0.318	8.08	0.150	3.81	0.060	1.52	0.045	1.14	0.190	4.83	0.200	5.08	POLY BAGS
94692-YYY	0.230	5.84	0.095	2.41	0.060	1.52	0.070	1.78	0.240	6.10	0.185	4.70	POLY BAGS
94693-YYY	0.230	5.84	0.120	3.05	0.060	1.52	0.070	1.78	0.240	6.10	0.185	4.70	POLY BAGS
94694-YYY	0.318	8.08	0.107	2.72	0.060	1.52	0.070	1.78	0.240	6.10	0.200	5.08	POLY BAGS
94695-YYY	0.318	8.08	0.150	3.81	0.060	1.52	0.070	1.78	0.240	6.10	0.200	5.08	POLY BAGS
72466-YYLF	0.390	9.91	0.100	2.54	0.060	1.52	0.070	1.78	0.240	6.10	0.250	6.35	POLY BAGS
94646-YYLF	0.230	5.84	0.095	2.41	0.060	1.52	0.045	1.14	0.190	4.83	0.185	4.70	POLY BAGS
94648-YYLF	0.230	5.84	0.120	3.05	0.060	1.52	0.045	1.14	0.190	4.83	0.185	4.70	POLY BAGS
94649-YYLF	0.318	8.08	0.107	2.72	0.060	1.52	0.045	1.14	0.190	4.83	0.200	5.08	POLY BAGS
94650-YYLF	0.318	8.08	0.150	3.81	0.060	1.52	0.045	1.14	0.190	4.83	0.200	5.08	POLY BAGS
94692-YYLF	0.230	5.84	0.095	2.41	0.060	1.52	0.070	1.78	0.240	6.10	0.185	4.70	POLY BAGS
94693-YYLF	0.230	5.84	0.120	3.05	0.060	1.52	0.070	1.78	0.240	6.10	0.185	4.70	POLY BAGS
94694-YYLF	0.318	8.08	0.107	2.72	0.060	1.52	0.070	1.78	0.240	6.10	0.200	5.08	POLY BAGS
94695-YYLF	0.318	8.08	0.150	3.81	0.060	1.52	0.070	1.78	0.240	6.10	0.200	5.08	POLY BAGS



FCIconnect.com

Copyright FCJ

mat'l. code		surface		tolerance		projection		product family	
-		ISO 1302 ✓		ISO 406		⊕		BERGSTIK	
ISO 1101		tolerances unless otherwise specified		.xx ±.01/.3		INCH/MM		title	
E		angles		.xxx ±.005/.13		scale 2:1		BERGSTIK® II HDR DUPLEX	
		linear		.xxxx ±.0020/.051				.100/2.54cc DR R/A	
		dr		E. KROPIEWICKI 7/31/96		FCJ		dwg no	
		enr		T. BREWBAKER 7/31/96				sheet 3 of 3	
		chr		T. BREWBAKER 7/31/96				size	
		app		T. BREWBAKER 7/31/96				A3	
sheet		revision						type	
index		sheet						Product Customer Drawing	

form: A3