

87988-3 ✓ ACTIVE

AMPMODU | AMPMODU MOD 1

TE Internal #: 87988-3

PCB Mount Receptacle, Right Angle, Board-to-Board, 3 Position,
3.96 mm [.156 in] Centerline, Fully Shrouded, Gold, AMPMODU
MOD 1

[View on TE.com >](#)



Connectors > PCB Connectors > PCB Headers & Receptacles



PCB Connector Assembly Type: **PCB Mount Receptacle**

PCB Mount Orientation: **Right Angle**

Connector System: **Board-to-Board**

Number of Positions: **3**

Number of Rows: **1**

Features

Product Type Features

Applied Pressure	Standard
PCB Connector Assembly Type	PCB Mount Receptacle
Connector System	Board-to-Board
Header Type	Fully Shrouded
Connector & Contact Terminates To	Printed Circuit Board

Configuration Features

Stackable	No
PCB Mount Orientation	Right Angle
Number of Positions	3
Number of Rows	1
Board-to-Board Configuration	Perpendicular

Electrical Characteristics

Insulation Resistance	5000 MΩ
-----------------------	---------

Body Features

Primary Product Color	Black
-----------------------	-------

Contact Features

PCB Contact Termination Area Plating Material Thickness	1.27 μm[50 μin]
Contact Layout	Inline



Mating Tab Width	1.58 mm[.062 in]
Mating Tab Thickness	.79 mm[.031 in]
PCB Contact Termination Area Plating Material	Gold Flash
Contact Base Material	Phosphor Bronze
Contact Mating Area Plating Material	Gold
Contact Mating Area Plating Material Thickness	.76 μ m[30 μ in]
Contact Type	Socket
Contact Current Rating (Max)	5 A

Termination Features

Rectangular Termination Post & Tail Thickness	.25 mm[.01 in]
Rectangular Termination Post & Tail Width	1.02 mm[.04 in]
Termination Post & Tail Length	3.68 mm[.145 in]
Termination Method to Printed Circuit Board	Through Hole - Solder

Mechanical Attachment

Mating Alignment	Without
PCB Mount Retention	Without
PCB Mount Alignment	Without
Connector Mounting Type	Board Mount

Housing Features

Centerline (Pitch)	3.96 mm[.156 in]
Housing Material	PA66

Dimensions

Connector Height	7.62 mm[.3 in]
PCB Thickness (Recommended)	1.4 – 2.62 mm[.055 – .103 in]

Usage Conditions

Operating Temperature Range	-65 – 105 °C[-85 – 221 °F]
-----------------------------	----------------------------

Operation/Application

Assembly Process Feature	None
Circuit Application	Signal

Industry Standards

Approved Standards	CSA LR16455, UL E28476
UL Flammability Rating	UL 94V-2



Packaging Features

Packaging Quantity	220
Packaging Type	Tube

Product Compliance

[For compliance documentation, visit the product page on TE.com>](#)

EU RoHS Directive 2011/65/EU	Compliant
EU ELV Directive 2000/53/EC	Compliant
China RoHS 2 Directive MIIT Order No 32, 2016	No Restricted Materials Above Threshold
EU REACH Regulation (EC) No. 1907/2006	Current ECHA Candidate List: JUNE 2023 (235) Candidate List Declared Against: JUNE 2023 (235) Does not contain REACH SVHC
Halogen Content	Not Low Halogen - contains Br or Cl > 900 ppm.
Solder Process Capability	Wave solder capable to 240°C

Product Compliance Disclaimer

This information is provided based on reasonable inquiry of our suppliers and represents our current actual knowledge based on the information they provided. This information is subject to change. The part numbers that TE has identified as EU RoHS compliant have a maximum concentration of 0.1% by weight in homogenous materials for lead, hexavalent chromium, mercury, PBB, PBDE, DBP, BBP, DEHP, DIBP, and 0.01% for cadmium, or qualify for an exemption to these limits as defined in the Annexes of Directive 2011/65/EU (RoHS2). Finished electrical and electronic equipment products will be CE marked as required by Directive 2011/65/EU. Components may not be CE marked. Additionally, the part numbers that TE has identified as EU ELV compliant have a maximum concentration of 0.1% by weight in homogenous materials for lead, hexavalent chromium, and mercury, and 0.01% for cadmium, or qualify for an exemption to these limits as defined in the Annexes of Directive 2000/53/EC (ELV). Regarding the REACH Regulation, the information TE provides on SVHC in articles for this part number is based on the latest European Chemicals Agency (ECHA) 'Guidance on requirements for substances in articles' posted at this URL: <https://echa.europa.eu/guidance-documents/guidance-on-reach>

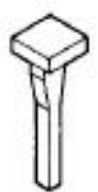
Compatible Parts



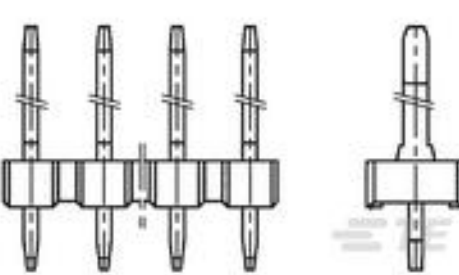
TE Part # 87247-8
08 MOD1 HDR SRST .156CL



TE Part # 87258-3
03 MOD1 HDR SRRA .156CL



TE Part # 86181-2
MOD1 KEYING PLUG



TE Part # 3-826546-0
30P MOD1 UNSHROUDED HEADER, ST, 0.4 Au



TE Part # 3-826547-0
30P MOD1 UNSHROUDED HEADER,
ST, 0.4 Au

TE Part # 3-826548-0
30P MOD1 UNSHROUDED HEADER,
ST, 0.4 Au

TE Part # 3-826549-0
30P MOD1 UNSHROUDED HEADER,
ST, 0.4 Au

TE Part # 827873-3
3P MOD1 UNSHRD HDR, P 5.08, ST,
0.8 Au

TE Part # 85829-3
03 MOD1 HDR SRST .156CL

TE Part # 85839-3
03 MOD1 HDR SRST .156CL

TE Part # 85923-3
03 MOD1 HDR SRST .156CL

TE Part # 87258-8
08 MOD1 HDR SRRA .156CL

TE Part # 87632-3
03 MOD1 HDR SRRA .156CL

TE Part # 87632-8
08 MOD1 HDR SRRA .156CL

TE Part # 87633-3
03 MOD1 HDR SRST .156CL

TE Part # 87633-8
08 MOD1 HDR SRST .156CL

TE Part # 966835-3
MOD1 STIFTLIS 3P

TE Part # 3-826550-0
30P MOD1 STIFT LEI

TE Part # 827235-8
8P MOD1 STIFTLEIST

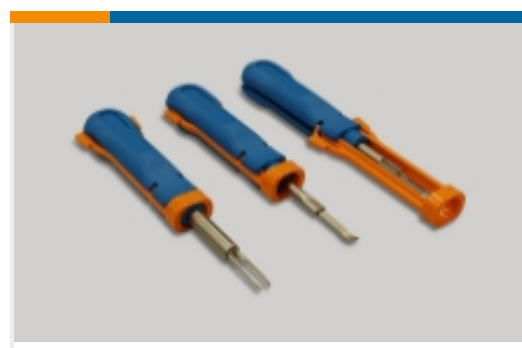
Also in the Series | **AMPMODU MOD 1**

Automotive Terminals(4)

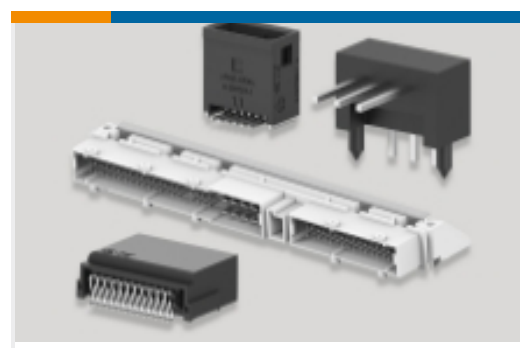
Board-to-Board Connector Contacts
(106)

Board-to-Board Jumpers & Shunts(5)

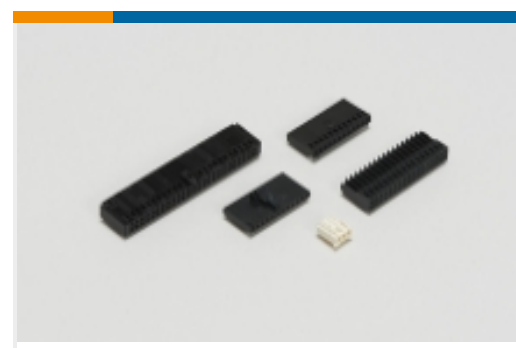
Connector Hardware(2)



Insertion & Extraction Tools(1)

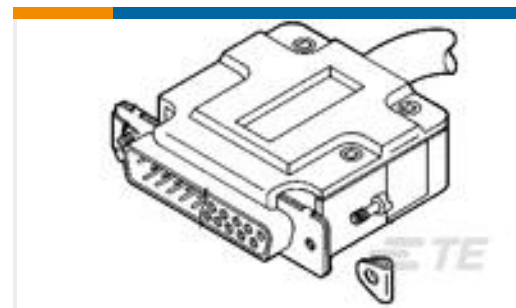
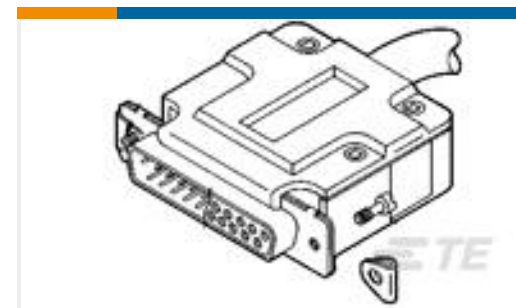


PCB Headers & Receptacles(341)

Wire-to-Board Connector Assemblies
& Housings(32)

Wire-to-Board Connector Contacts(2)

Customers Also Bought

TE Part #1-5745967-4
25 RCPT SP/FMS SCRLKTE Part #1-5747150-6
09 RCPT SP/FMS SCRLKTE Part #5207908-7
STRAIN REL W/SCRW RET KIT, SZ 3TE Part #5207908-1
STRAIN RELIEF W/SCREW RET KITTE Part #535070-5
048 EURO TYPE C RECEPT ST ASSYTE Part #170725-2
SOLIS RINGTE Part #8-1879354-5
RR03 5% 1K0 AMMOTE Part #531230-2
SHUNT, .200 C/L, LP, 2 POS, 15AUTE Part #350180-2
TEST PROBE REC130L SPCL RED
GPBRTE Part #354647-E
STVD 32 F AC GG 7-02 0606 4,5 * 247
E 17

Documents

Product Drawings

[03 MODI BDMNT RCPT SR .156CL](#)

English

Datasheets & Catalog Pages

[AMPMODU_INTERCONNECTION_SYSTEM_SECTION_6_7AND8](#)

English

Product Specifications

87988-3

PCB Mount Receptacle, Right Angle, Board-to-Board, 3 Position, 3.96 mm [.156 in]
Centerline, Fully Shrouded, Gold, AMPMODU MOD 1



Product Specification

English