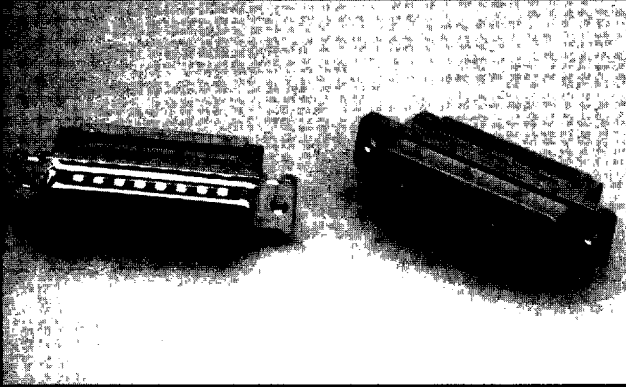




K98/K99 Series IDC Termination



Features

- UL Recognized Material
- Meets EIA, RS232C and RS449 Standards for Data Communication Input/Output Connectors
- Bright Tin Shells for Exceptional Conductivity and Grounding
- Indentations (Dimples) for Exceptional Grounding and Mating Retention
- D Shape Connector Mating and Polarization
- Four (4) Shell Sizes

Performance Specifications

Materials and Finish

Shell

K98 Series: PBT Thermoplastic

K99 Series: Steel Material, Tin Finish

Contact Material

Pin: Brass .040 (1.02) Diameter

Socket: Phosphor Bronze

Contact Finish

0.000005 (0.000127) Gold on Contact Wiping Area, All Other Areas are 0.0001 (0.00254) Tin Over 0.0001 (0.00254) Nickel

Riveted Insert

Brass Material, Nickel Finish

Mechanical Characteristics

Contact Separation Force

4 Ounces Min

Contact Engagement Force

9 Ounces Max

Electrical Characteristics

Contact Current Rating

1 Amp

Contact Resistance

8 Milliohms Max

Dielectric Withstanding Voltage

1000 V AC Min

Insulation Resistance

1000 Megohms Min

Temperature Rating

-55° To + 125°C

Wire Accommodation

Flat Cable or Discrete Wire 26 or 28 AWG Stranded or Solid, and 30 AWG Solid Wires on .050 (1.27) Centers

Ordering Information

K98	-	25	-	S	-	K	-	SR	-	BLK
Series		Number of Contacts		Contact Type		Mounting Options		Strain Relief		Color Options
Series										
K98-KYCON IDC D-Subminiature Connector, Plastic Construction										
K99-KYCON IDC D-Subminiature Connector, Metal Construction										
Number of Contacts										
9, 15, 25, 37										
Contact Type										
P-Pin Contact (Plug)										
S-Socket Contact (Receptacle)										
Mounting Options (For K99 Series Only)										
K-With Riveted Threaded (4-40) Bushing										
Strain Relief Option										
SR-With Strain Relief										
Color Option										
BLU: Blue Color										
BLK: Black Color										

9005174 0000023 266

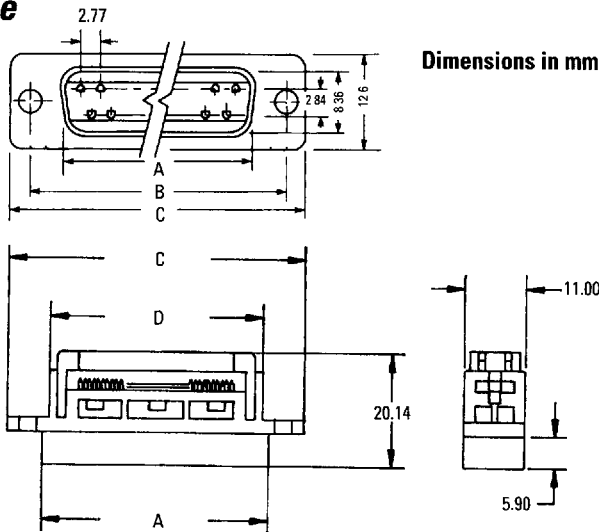
KYCON D-Subminiature Connectors



K98/K99 Series Dimensions

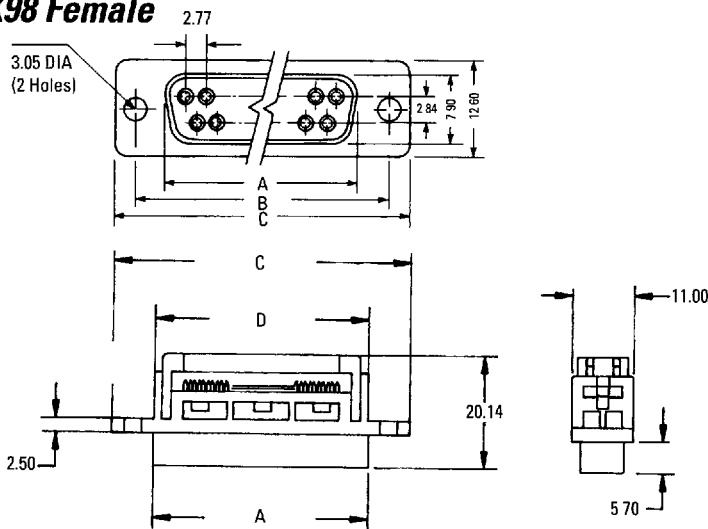
9, 15, 25, 37, Positions IDC Termination

K98 Male



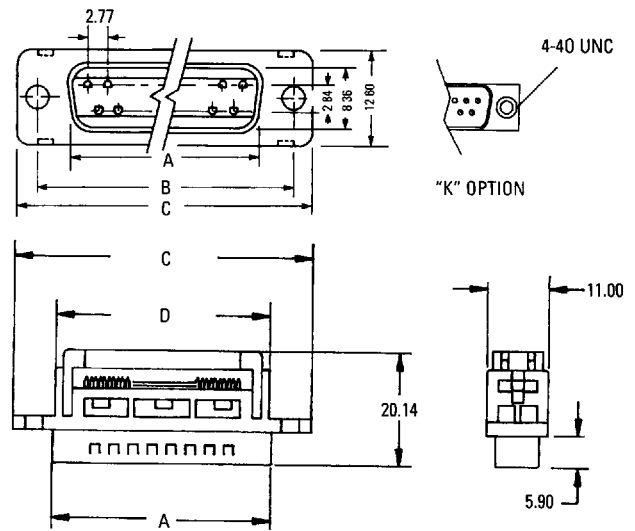
Shell-Size	A	B	C	D
9 (E)	16.92 .666	24.99 .984	30.81 1.212	18.60 .732
15 (A)	25.25 .994	33.32 1.312	39.10 1.539	26.60 1.047
25 (B)	38.96 1.534	47.04 1.852	53.09 2.090	40.90 1.610
37 (C)	55.45 2.183	63.50 2.500	69.40 2.732	57.10 2.248

K98 Female



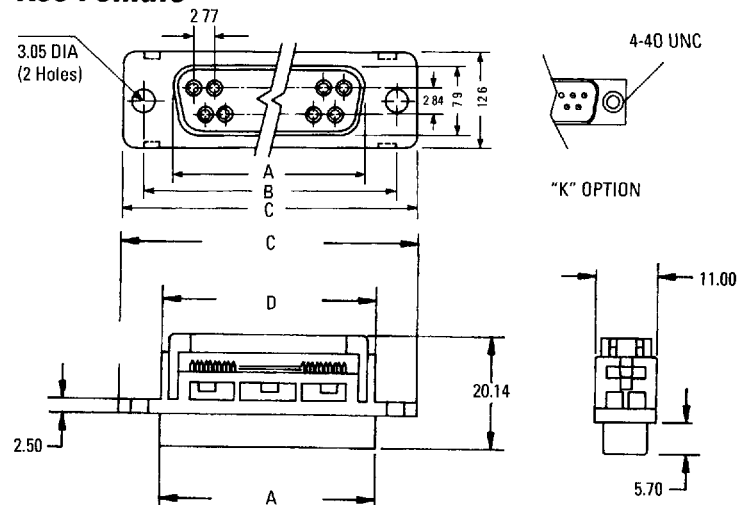
Shell Size	A	B	C	D
9 (E)	16.33 .643	24.99 .984	30.81 1.212	18.60 .732
15 (A)	24.66 .971	33.32 1.312	39.10 1.539	26.60 1.047
25 (B)	38.38 1.511	47.04 1.852	53.09 2.090	40.90 1.610
37 (C)	54.84 2.159	63.50 2.500	69.40 2.732	57.10 2.248

K99 Male



Shell Size	A	B	C	D
9 (E)	16.92 .666	24.99 .984	30.81 1.212	18.60 .732
15 (A)	25.25 .994	33.32 1.312	39.10 1.539	26.60 1.047
25 (B)	38.96 1.534	47.04 1.852	53.09 2.090	40.90 1.610
37 (C)	55.45 2.183	63.50 2.500	69.40 2.732	57.10 2.248

K99 Female



Shell Size	A	B	C	D
9 (E)	16.33 .643	24.99 .984	30.81 1.212	18.60 .732
15 (A)	24.66 .971	33.32 1.312	39.10 1.539	26.60 1.047
25 (B)	38.38 1.511	47.04 1.852	53.09 2.090	40.90 1.610
37 (C)	54.84 2.159	63.50 2.500	69.40 2.732	57.10 2.248