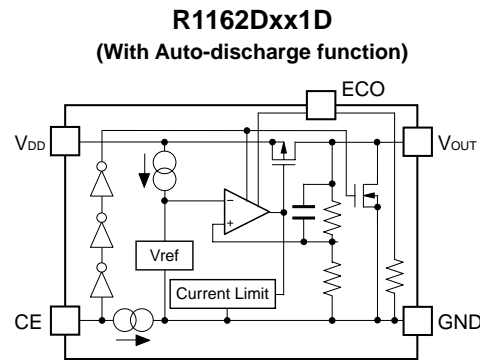
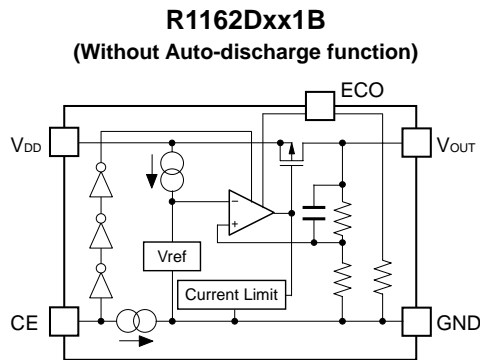


The R1162D Series are CMOS-based manual mode switching LDO regulators with ECO pin featuring 150mA output. By inputting control signals to the ECO pin, the mode of the regulator can be switched to low power mode or fast response mode, thus making both active and sleep modes available for the system. The CE pin can switch the regulator into standby mode. The version with the auto-discharge function is also available. Ceramic capacitors can be used.

FEATURES

- Supply Current (I_{SS1}) Typ. 70 μ A (Fast mode, $V_{IN}=V_{SET}+1.0V$)
- Supply Current (I_{SS2}) Typ. 5.5 μ A (Low power mode, same as above)
- Standby Current ($I_{standby}$) Typ. 0.1 μ A (Same as above, CE="L")
- Dropout Voltage (V_{DIF}) Typ. 0.25V (Fast mode, $I_{OUT}=150mA$, $V_{SET}=2.8V$)
Typ. 0.25V (Low power mode, $I_{OUT}=150mA$, $V_{SET}=2.8V$)
- Ripple Rejection (RR) Typ. 70dB ($f=1kHz$, Fast mode)
- Input Voltage Range (V_{IN}) 2.0V to 6.0V
- Output Voltage Range (V_{OUT}) 1.5V to 4.0V (Internally fixed)
- Output Voltage Accuracy $\pm 2\%$ (Fast mode)
 $\pm 3\%$ (Low power mode)
- Temp. coeff. of Output Voltage Typ. $\pm 100ppm/^{\circ}C$
- Line Regulation Typ. 0.02%/V (Fast mode)
- Fold-back Protection Circuit Current limit Typ. 40mA
- Auto-discharge Function D Version
- Package SON1612-6
- Ceramic Capacitor can be used. $C_{IN}=1\mu F$ or more,
 $C_{OUT}=0.47\mu F$ or more

BLOCK DIAGRAMS



SELECTION GUIDE

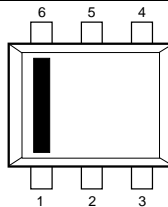
Halogen Free	Package	Q'ty per Reel	Part No.
H/F	SON1612-6	4,000 pcs	R1162Dxx1* -TR-FE

xx : Specify the output voltage within the range of 1.5V (15) to 4.0V (40) in 0.1V steps.

* : Select from (B) without auto-discharge function or (D) with auto-discharge function.

PACKAGE (Top View)

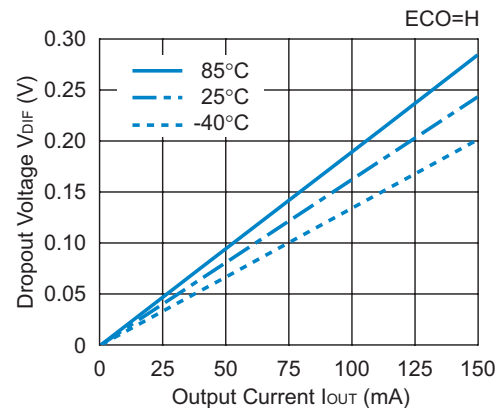
SON1612-6



1	CE
2	GND
3	VDD
4	VOUT
5	GND
6	ECO

TYPICAL CHARACTERISTIC

R1162D281x Dropout Voltage vs. Output Current (Fast Response Mode)



APPLICATIONS

- Power source for hand-held communication equipment, cameras, and VCRs
- Power source for battery-powered equipment
- Very stable voltage reference



1. The products and the product specifications described in this document are subject to change or discontinuation of production without notice for reasons such as improvement. Therefore, before deciding to use the products, please refer to Ricoh sales representatives for the latest information thereon.
2. The materials in this document may not be copied or otherwise reproduced in whole or in part without prior written consent of Ricoh.
3. Please be sure to take any necessary formalities under relevant laws or regulations before exporting or otherwise taking out of your country the products or the technical information described herein.
4. The technical information described in this document shows typical characteristics of and example application circuits for the products. The release of such information is not to be construed as a warranty of or a grant of license under Ricoh's or any third party's intellectual property rights or any other rights.
5. The products listed in this document are intended and designed for use as general electronic components in standard applications (office equipment, telecommunication equipment, measuring instruments, consumer electronic products, amusement equipment etc.). Those customers intending to use a product in an application requiring extreme quality and reliability, for example, in a highly specific application where the failure or misoperation of the product could result in human injury or death (aircraft, spacevehicle, nuclear reactor control system, traffic control system, automotive and transportation equipment, combustion equipment, safety devices, life support system etc.) should first contact us.
6. We are making our continuous effort to improve the quality and reliability of our products, but semiconductor products are likely to fail with certain probability. In order to prevent any injury to persons or damages to property resulting from such failure, customers should be careful enough to incorporate safety measures in their design, such as redundancy feature, firecontainment feature and fail-safe feature. We do not assume any liability or responsibility for any loss or damage arising from misuse or inappropriate use of the products.
7. Anti-radiation design is not implemented in the products described in this document.
8. Please contact Ricoh sales representatives should you have any questions or comments concerning the products or the technical information.



For the conservation of the global environment, Ricoh is advancing the decrease of the negative environmental impact material.
After Apr. 1, 2006, we will ship out the lead free products only. Thus, all products that will be shipped from now on comply with RoHS Directive. Basically after Apr. 1, 2012, we will ship out the Power Management ICs of the Halogen Free products only. (Ricoh Halogen Free products are also Antimony Free.)

RICOH RICOH COMPANY, LTD. Electronic Devices Company

<http://www.ricoh.com/LSI/>

RICOH COMPANY, LTD.

Electronic Devices Company

● Higashi-Shinagawa Office (International Sales)

3-32-3, Higashi-Shinagawa, Shinagawa-ku, Tokyo 140-8655, Japan
Phone: +81-3-5479-2857 Fax: +81-3-5479-0502

RICOH EUROPE (NETHERLANDS) B.V.

● Semiconductor Support Centre

"Nieuw Kronenburg" Prof. W.H. Keesomlaan 1, 1183 DJ, Amstelveen, The Netherlands
P.O.Box 114, 1180 AC Amstelveen
Phone: +31-20-5474-309 Fax: +31-20-5474-791

RICOH ELECTRONIC DEVICES KOREA Co., Ltd.

11 floor, Haesung 1 building, 942, Daechidong, Gangnamgu, Seoul, Korea
Phone: +82-2-2135-5700 Fax: +82-2-2135-5705

RICOH ELECTRONIC DEVICES SHANGHAI Co., Ltd.

Room403, No.2 Building, 690#Bi Bo Road, Pu Dong New district, Shanghai 201203,
People's Republic of China
Phone: +86-21-5027-3200 Fax: +86-21-5027-3299

RICOH COMPANY, LTD.

Electronic Devices Company

● Taipei office

Room109, 10F-1, No.51, Hengyang Rd., Taipei City, Taiwan (R.O.C.)
Phone: +886-2-2313-1621/1622 Fax: +886-2-2313-1623