

# ADAM TECH

ADAM TECHNOLOGIES INC.

## D-SUBMINIATURE RIGHT ANGLE .318" [8.08] MOUNT DPL / DSL SERIES

### INTRODUCTION:

Adam Tech .318" Mount Right Angle D-Subs are the industry's most popular PC board mounted I/O connectors. They are used primarily as a cable-to-board interface. Applications include computer peripheral, data processing, telecommunications and industrial control equipment. Their industry-standard configuration provides reliable mating with a variety of options. Our design conforms to all applicable requirements of MIL-C-24308 D, ISO 2110, EIA standards RS232, RS442, RS449 and IEC 48-B-106 standards. Our low profile metal shell provides long-term cycle life and EMI/ESD reductions which meet FCC Part 15, Subpart J emission limits.

### FEATURES:

- Available in many mounting and grounding configurations
- Dimples on metal male shell ensure continuity with receptacle
- Multiple contact plating options
- Automated assembly for consistent quality and lower cost
- Board locks secure connector to board prior to soldering

### MATING OPTIONS:

Mates with Adam Tech D-Sub Series DPD, DSD, DPF, DSF and all industry standard D-Subminiature connectors

### SPECIFICATIONS:

#### Material:

Shell: Steel, tin-plated

Insulator: Polybutylene Terephthalate (PBT), glass reinforced thermoplastic, rated UL 94V-0

Insulator color: Black

Contacts: Plug - Brass; Socket - Phosphor Bronze

Ground Strap or Boardlocks: Brass, tin-plated

Rivet insert: Brass, nickel-plated

#### Plating:

5  $\mu$ m gold nom. (optional 30  $\mu$ m) to MIL-G-45204, Type II, Grade C on contact area over 50  $\mu$ m nickel underplate to QQ-N-290, Class 2, Grade C, gold flash on solder tails

#### Electrical:

Operation voltage: 600 VDC max

Current rating: 5 Amps max

Contact resistance: 20 m $\Omega$  max

Insulation resistance: 5000 M $\Omega$  min @ 1000 VDC between adjacent contacts (75°F and 50% R.H.)

Dielectric withstanding voltage: 1000 VAC min rms (sea level)

Capacitance: 2 pF max between adjacent contacts

#### Mechanical:

Insertion force: 10 ozs. max with .041" dia. pin

Withdrawal force: 7.1 ozs. min with .039" dia. pin

#### Environmental:

Operating temperature: -65°C to +125°C

#### ACCESSORIES:

Dustcovers, hardware, etc. Page 69

#### PACKAGING:

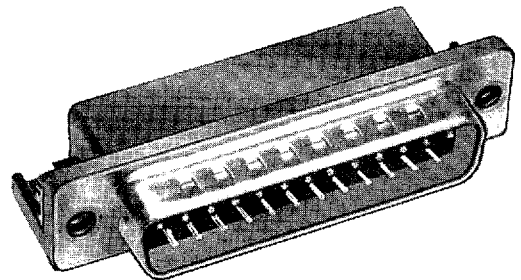
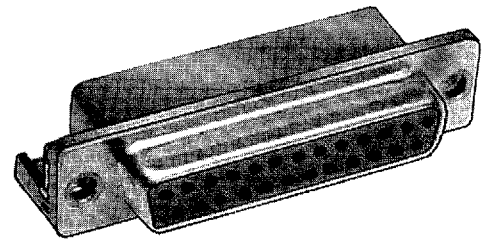
Anti-static plastic trays

#### APPROVALS AND CERTIFICATIONS:

Recognized under the component program

of Underwriters Laboratories, Inc. No. E167232

Certified by Canadian Standards Association No. LR75112



### ORDERING INFORMATION



#### SHELL SIZE/ POSITIONS

DE09 = 9 Position

DA15 = 15 Position

DB25 = 25 Position

DC37 = 37 Position

#### MATING FACE MOUNTING OPTIONS

3 = #4-40 fixed jackscrews

4 = #4-40 flush threaded inserts

5 = #4-40 flush threaded inserts with removeable jackscrews installed

6 = .120" non-threaded mounting holes

#### CONTACT TYPE

PL = Plug, .318" Footprint

SL = Socket, .318" Footprint

#### BOARD MOUNTING OPTIONS

1 = Wrap around ground straps with holes

2 = Forked board locks

3 = Top side only ground straps with holes

4 = Top side only ground straps with #4-40 threaded screw holes



#### OPTIONS:

Add as suffix to basic part number

30 = 30  $\mu$ m gold plating in contact area

EMI = Ferrite filtered version for EMI/RFI suppression

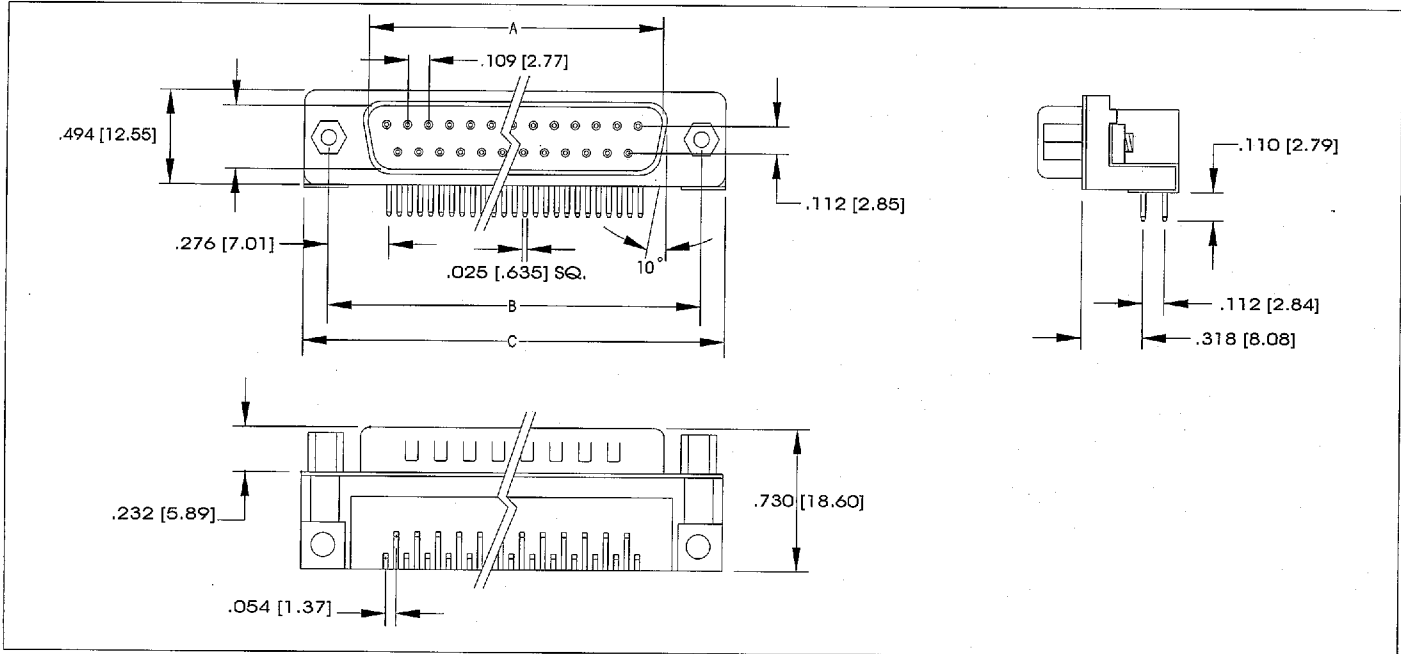
LPJ = Loose packed jackscrews

F = Superior retention 4 prong boardlocks

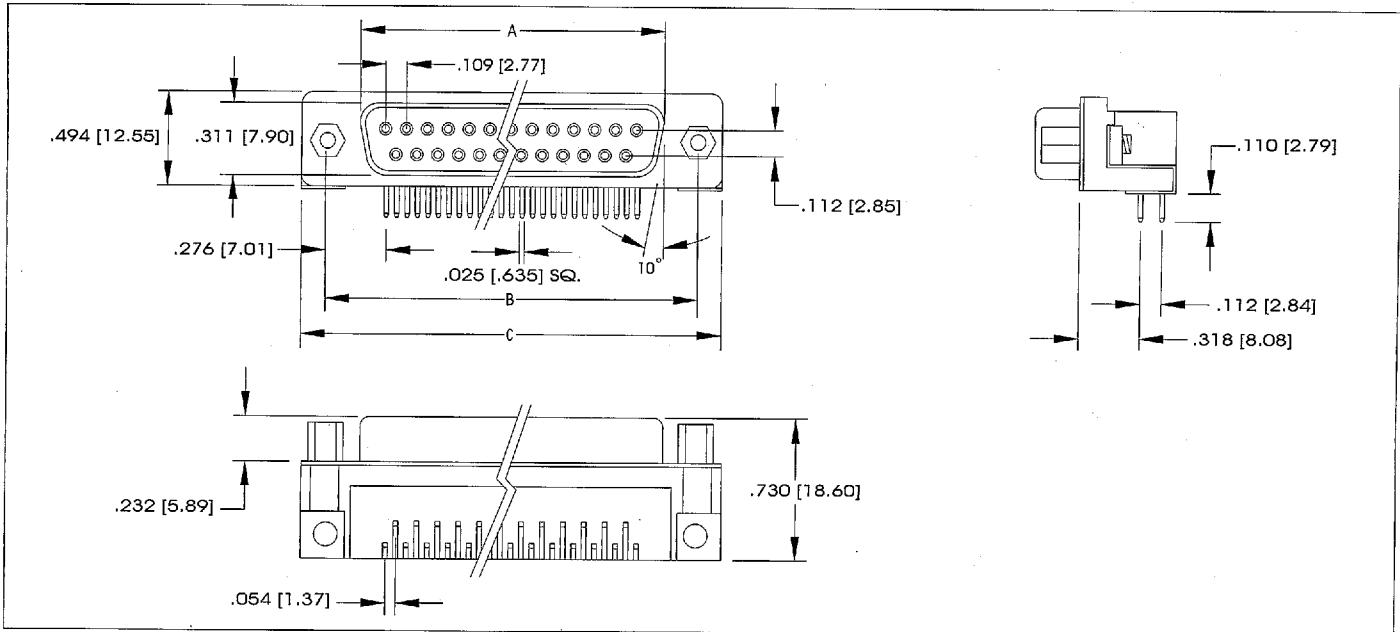
HT = Hi-Temp insulator for IR reflow or Vapor Phase soldering process

9017931 0000045 516

### PLUG ASSEMBLY



### SOCKET ASSEMBLY



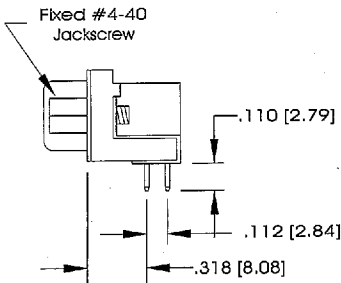
Unit: Inch / mm

Dimensional: Socket Assembly				Dimensional: Plug Assembly			
CONTACTS	A	B	C	CONTACTS	A	B	C
9	.643 (16.33)	.984 (24.99)	1.213 (30.81)	9	.666 (16.92)	.984 (24.99)	1.213 (30.81)
15	.971 (24.66)	1.312 (33.32)	1.541 (39.14)	15	.994 (25.25)	1.312 (33.32)	1.541 (39.14)
25	1.511 (38.38)	1.852 (47.04)	2.088 (53.04)	25	1.534 (38.96)	1.852 (47.04)	2.088 (53.04)
37	2.159 (54.84)	2.500 (63.50)	2.729 (69.32)	37	2.182 (55.42)	2.500 (63.50)	2.729 (69.32)

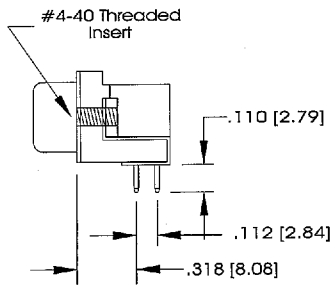
9017931 0000046 452

### MATING FACE MOUNTING OPTIONS

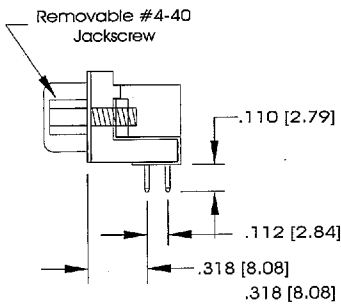
**Option 3**



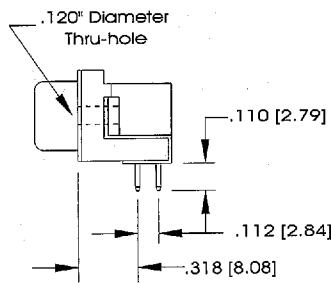
**Option 4**



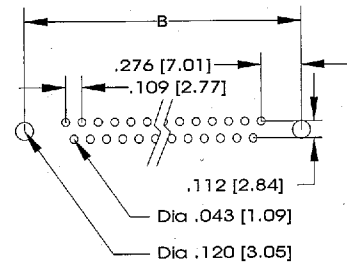
**Option 5**



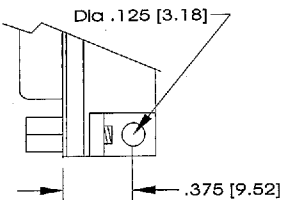
**Option 6**



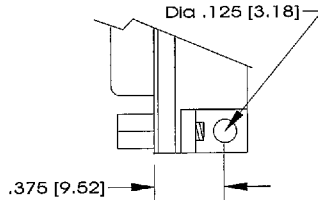
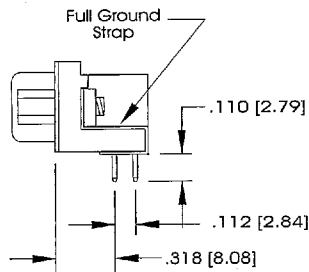
**PC Board Layout**



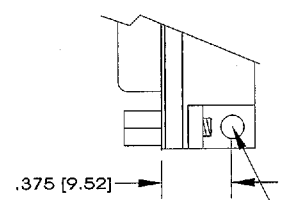
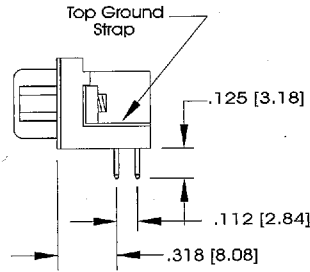
### PC BOARD MOUNTING OPTIONS



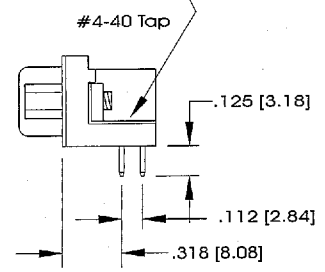
**Option 1**



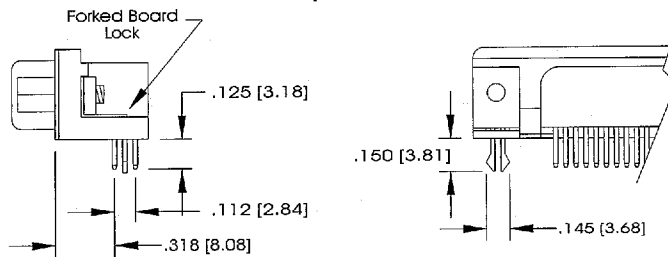
**Option 3**



**Option 4**



**Option 2**



9017931 000047 399