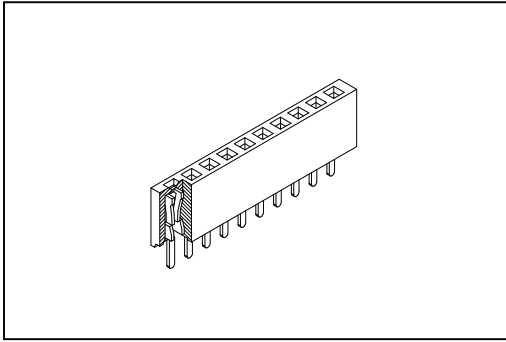


# 2043 Series

## P.C.B. Socket 2.54mm(0.100")



### Material:

Housing: Thermoplastic Polyester Glass Filled UL94V-0.

Contacts: Copper Alloy.

### Electrical Characteristics:

Current Rating: 2 A.

Dielectric Withstanding Voltage: AC 1000V.

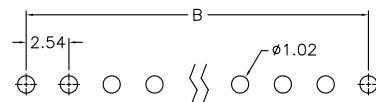
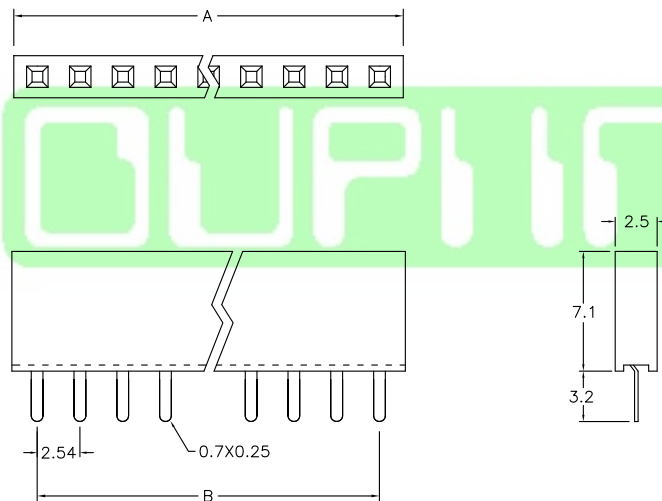
Insulator Resistance: 1000MΩ min.

Contact Resistance: 20mΩ max.

Operating Temperature: -55°C~+105°C.

### Features:

- \* Available in Straight.
  - \* Low profile 7.10mm (0.280").
  - \* Dual beam contacts offer ultimate performance.
  - \* Additional plating options available.
- Mates with: 2011,2012,2015.



P.C. Board Layout

Position Dimension	2 Thru 40
A	2.54 X No. of Positions
B	2.54 X No. of Positions -2.54

## Ordering information

2043- 1 X 40 G 00 S A  
 Series Single Row No. of Pin Per Row G: Gold Plated 00: G/F S: Straight A: Tray Package