

BOARD MOUNT SOCKET (Straight / Dual Entry)

FEATURES

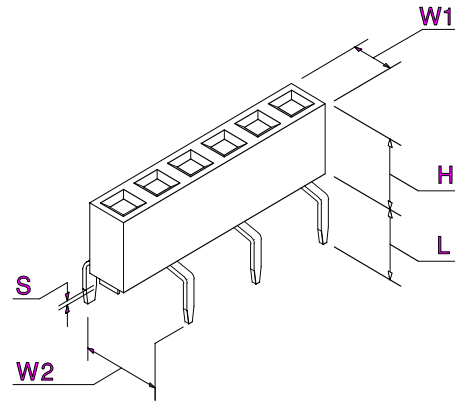
- Bottom mount sockets accept 0.025" square posts
- Allows soldering and plugging from same side of board
- Excellent for low profile (0.197" / 5,00mm) applications
- Dual-beam folded contact features lower insertion force
- Mates with Crane's PEG, MPEG, TPEG, and DPEG Headers

STANDARD PART DIMENSIONS

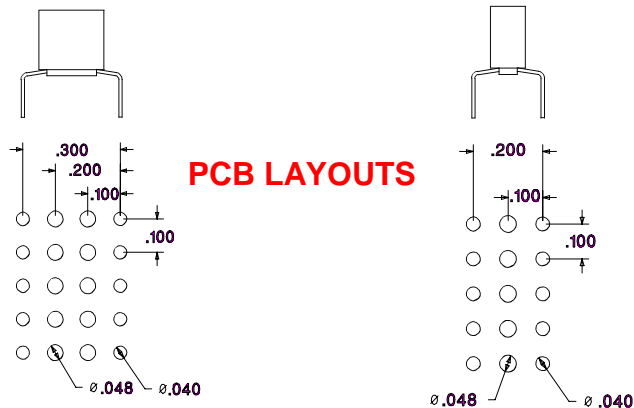
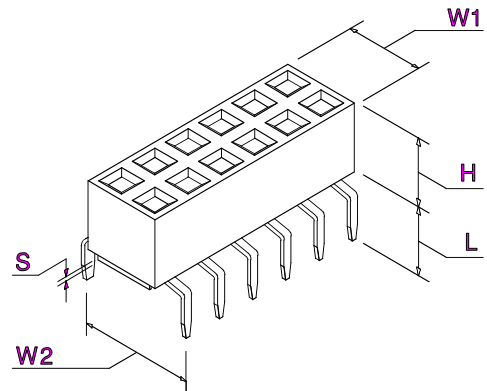
INSULATOR BODY		Single Row	Dual Row
W1	WIDTH	0.100" / 2,54mm	0.200" / 5,08mm
H	HEIGHT	0.197" / 5,00mm	0.197" / 5,00mm
S	STANDOFF	0.020" / 0,51mm	0.020" / 0,51mm
PC TAIL		Single Row	Dual Row
L	LENGTH	0.120" / 3,05mm	0.120" / 3,05mm
W2	WIDTH	0.200" / 5,08mm	0.300" / 7,62mm
WIDTH X THICKNESS		0.032" x 0.010" (0,80mm x 0,25mm)	
MATERIALS			
INSULATOR BODY		Glass Filled Polyester (UL94V-O)	
CONTACT		Phosphor Bronze	

See SPECIFICATIONS and PERFORMANCE DATA for more information.

SINGLE ROW (2 to 40 Positions)



DUAL ROW (4 to 80 Positions)



Crane's **BBP** Series Sockets can be used for **TOP** or **BOTTOM** entry

SAMPLE HOTLINE: 1-800-676-7644

0.100" (2,54mm) Centers To Mate With 0.025" (0,64mm) Square Mating Posts	HOW TO ORDER CRANE'S BBP SERIES								OPT.
	STANDARD PART NUMBER								
					--				
PRODUCT SERIES	BBP								
TOTAL NUMBER OF POSITIONS	SINGLE	02-40							
	DUAL	04-80							
NUMBER OF ROWS	SINGLE	S							
	DUAL	D							
TYPE OF SOCKET	STRAIGHT		S						
CONTACT PLATING	CHOOSE G, T or H, F								
	NOTE: Some platings may be subject to minimums								
TAIL PLATING	SAME AS CONTACT							C	
	TIN / LEAD (USED WITH GOLD CONTACT)							T	
CONTACT SPACING	DUAL ROW	0.100" x 0.300" (2,54mm x 7,62mm)						A	
	SINGLE ROW	0.100" x 0.200" (2,54mm x 5,08mm)							
BOARD RETENTION OPTION	KINKED TAILS								K

SAMPLE HOTLINE: 1-800-676-7644

CRANE CONNECTORS - PLATING SPECIFICATIONS

PLATING OPTIONS		CONTACT AREA Inches (Millimeters)	PC TAIL Inches (Millimeters)	UNDERPLATE Inches (Millimeters)
G	Selective	15 _μ " (0,00038) Gold	100 _μ " (0,00254) Tin/Lead - Min	50 _μ " (0,00127) Nickel - Min.
T	Tin / Lead	100 _μ " (0,00254) Tin / Lead	100 _μ " (0,00254) Tin/Lead - Min	50 _μ " (0,00127) Nickel - Min.
M	Selective	50 _μ " (0,00127) Gold	100 _μ " (0,00254) Tin/Lead - Min	50 _μ " (0,00127) Nickel - Min.
H	Selective	30 _μ " (0,00076) Gold	100 _μ " (0,00254) Tin/Lead - Min	50 _μ " (0,00127) Nickel - Min.
L	Selective	10 _μ " (0,00025) Gold	100 _μ " (0,00254) Tin/Lead - Min	50 _μ " (0,00127) Nickel - Min.
F	Selective	3 _μ " (0,00008) Gold	100 _μ " (0,00254) Tin/Lead - Min	50 _μ " (0,00127) Nickel - Min.



SAMPLE HOTLINE: 1-800-676-7644