

- NOTES:
- ⊕ REPRESENTS A CRITICAL DIMENSION.
 - PUSHOUT FORCE TO BE: 2 lb. (32oz) MIN.
 - ORIENTATION OF PART IN T&R MAY VARY DEPENDING ON POCKET.
 - MAX CUT FLASH .030 ON TAIL AND POST.

LEAD STYLE	"B"	TERMINAL	"C"
-01	.230 [5.84]	T-1S6-08-X-2	.180 [4.57]
-02	.320 [8.13]	T-1S6-15-X-2	.190 [4.83]
-03	.420 [10.67]	T-1S6-09-X-2	.190 [4.83]
-04	.120 [3.05]	T-1S6-07-X-2	.190 [4.83]

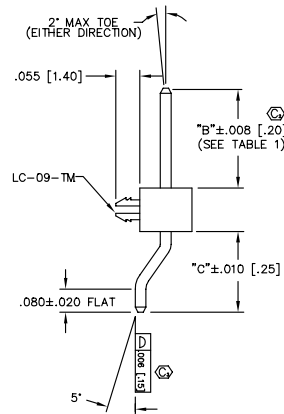
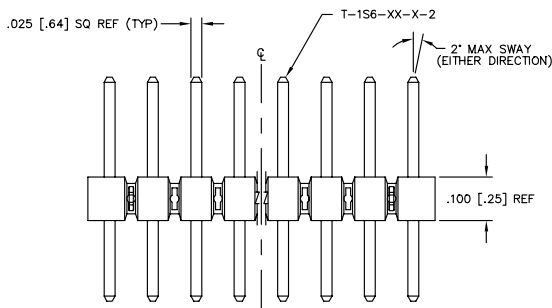
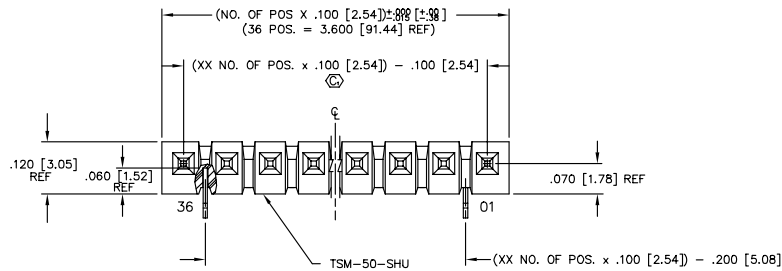


FIG. 1
-LC: LOCKING CLIP OPTION
CLIPS N/A WITH -A OPTION.

TSM-1XX-XX-XXX-SH-XX-XXX-XX

NO. OF POSITIONS
-02 THRU -36

LEAD STYLE
SEE TABLE 1

PLATING SPEC.

- T: TIN
- S: SELECTIVE
- G: GOLD
- L: SELECTIVE
- F: FLASH SELECTIVE
- H: HEAVY GOLD
- P: GOLD FLASHED PALLADIUM NICKEL
- TL: TIN/LEAD (-01 LEAD STYLE ONLY)
- STL: SELECTIVE TIN/LEAD (-01 LEAD STYLE ONLY)
- TM: MATTE TIN
- SM: HEAVY SELECTIVE GOLD, MATTE TIN TAIL
- LM: LIGHT SELECTIVE GOLD, MATTE TIN TAIL
- FM: FLASH SELECTIVE GOLD, MATTE TIN TAIL

ROW SPECIFICATION

- SH: SINGLE HORIZONTAL

OPTION #3

- P: PICK & PLACE PAD (SEE FIG. 3)
USE PPP-08 (-03 THRU -36 POSITION OR 02 & 03 POSITION WITH -TR ONLY)
- TR: TAPE & REEL (-02 THRU -30 POSITION)
(LEADS MAY NOT BE VISIBLE FOR CUSTOMER VISUAL INSPECTION ON SMALLER POSITION PARTS WHEN USED WITH -P OPTION.)
- K: POLYAMIDE FILM (SEE FIG. 6, SHT. 2)
(-04 THRU -36 POSITION)
(-02 & -03 POSITIONS WITH -TR ONLY)

OPTION #2

- XXX: POLARIZED POSITION
SPECIFY OMITTED PIN

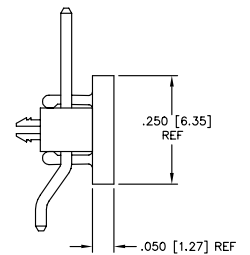
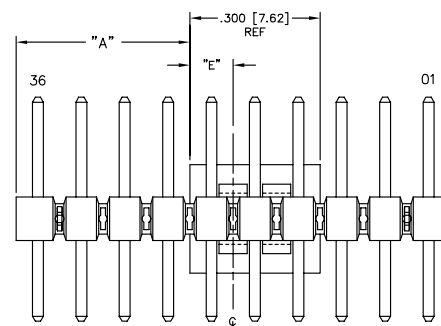
OPTION #1

- LC: LOCKING CLIP (SEE FIG. 1)
USE LC-09-TM (-03 THRU -36 POS USE 2 PER STRIP)
(-02 POS USE 1 PER STRIP)
(USE TSM-50-SHU)
 - A: ALIGNMENT PIN
(USE TSM-XX-SH-A BODY FOR MOLDED -A PINS, POS -02, SEE FIG 2, SHEET 2)
(USE TSM-50-SHU-XX BODY FOR MOLDED -A PINS, POS -03 THRU -50, SEE FIG 2, SHEET 2)
(USE TSM-50-SHU BODY FOR STAKED -A PINS, POS -04 THRU -50, SEE FIG 4, SHEET 2)
- LEAVE BLANK FOR NO HOLD DOWN OPTION (USE TSM-50-SHU SEE FIG. 1, CAN BE CUT TO POSITION) N/A ON STYLE -03

DIFFERENT AS SHOWN. OTHERWISE SAME AS FIG. 1.

TABLE 3

POS.	"E"
ODD	.150 [3.81]
EVEN	.100 [2.54]



FOR ODD: "A" = $\frac{(\text{NO. OF POS X } .100 [2.54]) - .300 [7.26]}{2}$

FOR EVEN: "A" = $\left[\frac{(\text{NO. OF POS X } .100 [2.54]) - .300 [7.26]}{2} \right] + .050 [1.27]$

FIG. 3
-P: PICK & PLACE PAD
USE PACKAGING TUBE PT-1-24-07-29
PLACE PPP-08 ON ⊕ AS SHOWN

MATERIAL:
BODIES:
LIQUID CRYSTAL POLYMER
COLOR: BLACK
TERMINALS:
PHOSPHOR BRONZE

samtec

EXSPROD/ASSEMBLY/100
TSMASHAM
520 PARK EAST BLVD. NEW ALBANY, INDIANA 47150
PHONE (812) 944-8733 P.O. BOX 1147
CODE 55322

MADE BY:
REIDINGER 7-19-91

TSM-1XX-XX-XXX-SH-XX-XXX-XX
SHEET 1 OF 2