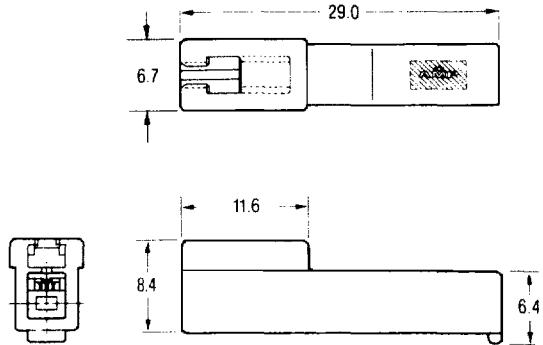


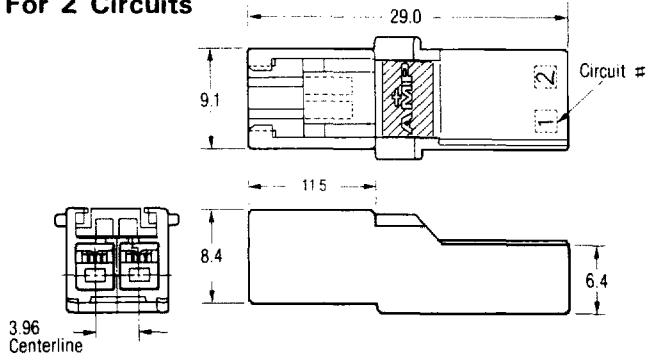
Free-Hanging Type Cap Housings

(Applicable Contact P/N: 175149-□, 175150-□)

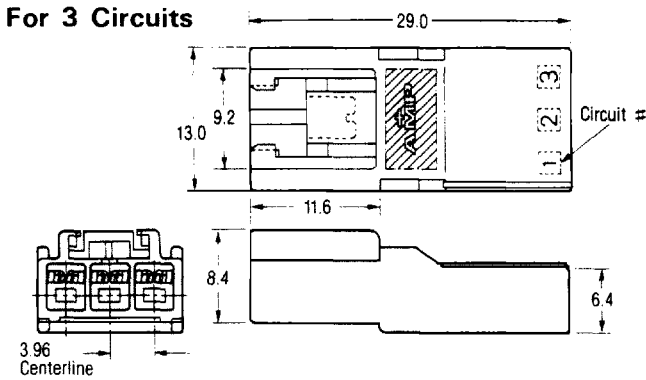
For 1 Circuit



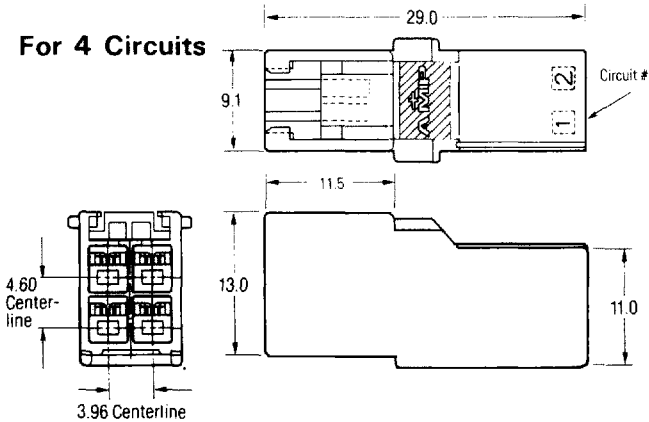
For 2 Circuits



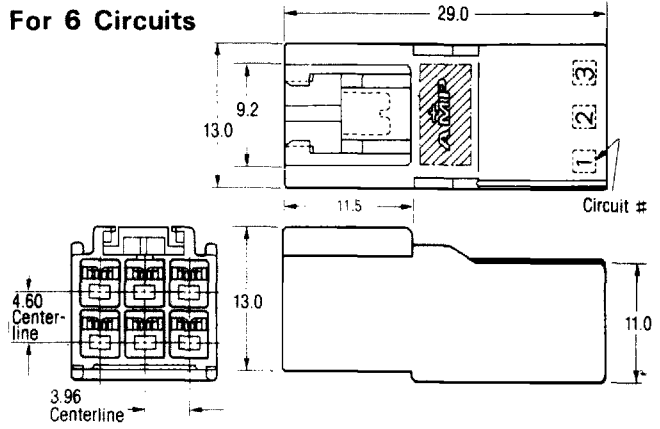
For 3 Circuits



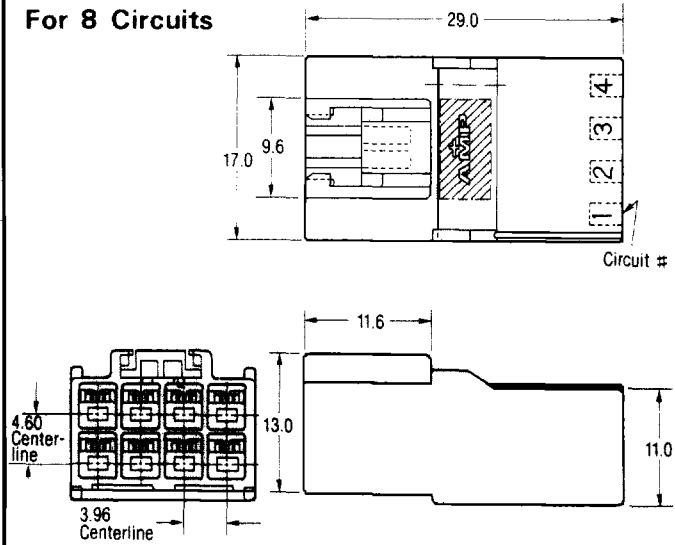
For 4 Circuits



For 6 Circuits



For 8 Circuits



Material : 94V-0 rated, 6/6 Nylon

No. of Circuit	Part Numbers	Housing Color (for suffixed no.)
1	176281-□	-1-Natural
2	176282-□	-2-Red
3	176283-□	-4-Yellow
4	176284-□	-6-Blue
6	176285-□	-9-Black
8	176286-□	

Free-Hanging Type Cap Housings (Cont'd)

(Applicable Contact P/N: 175149-□, 175150-□)

For 9 Circuits

Material:

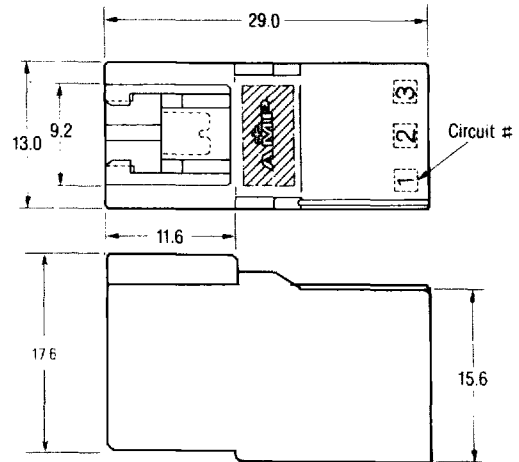
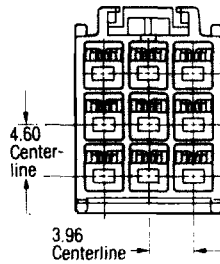
UL 94V-0 rated, 6/6 Nylon

Part Number: 176287-□

Housing Color

(for suffixed no.)

- 1—Natural
- 2—Red
- 4—Yellow
- 6—Blue
- 9—Black



For 10 Circuits

Material:

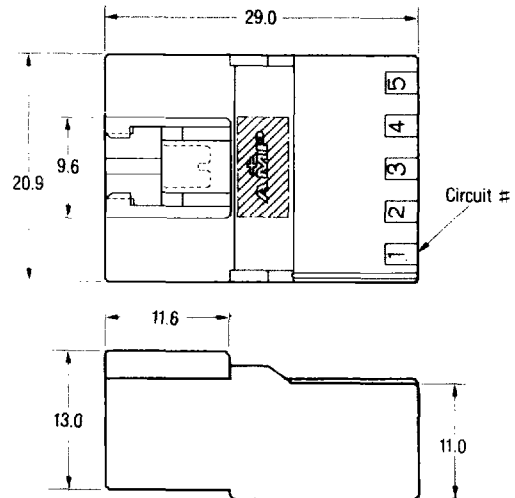
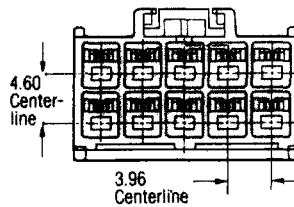
UL 94V-0 rated, 6/6 Nylon

Part Number: 176288-□

Housing Color

(for suffixed no.)

- 1—Natural
- 2—Red
- 4—Yellow
- 6—Blue
- 9—Black



For 12 Circuits

Material:

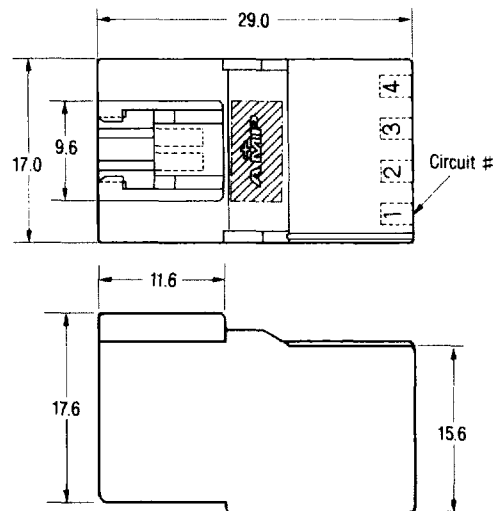
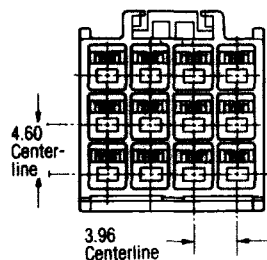
UL 94V-0 rated, 6/6 Nylon

Part Number: 176289-□

Housing Color

(for suffixed no.)

- 1—Natural
- 2—Red
- 4—Yellow
- 6—Blue
- 9—Black



Free-Hanging Type Cap Housings (Cont'd)

(Applicable Contact P/N: 175149-□, 175150-□)

For 15 Circuits

Material:

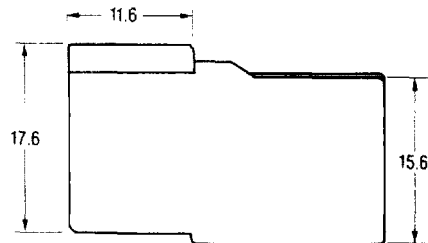
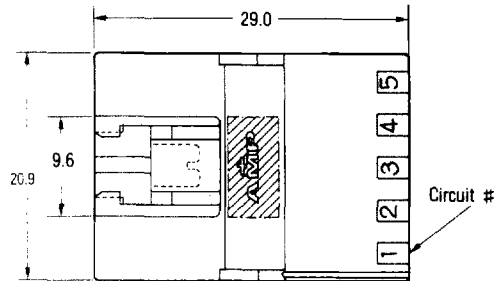
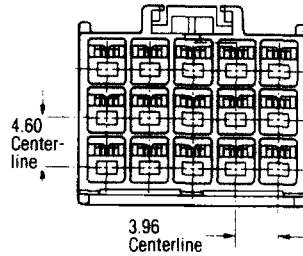
UL 94V-0 rated, 6/6 Nylon

Part Number: 176290-□

Housing Color

(for suffixed no.)

- 1—Natural
- 2—Red
- 4—Yellow
- 6—Blue
- 9—Black



For 18 Circuits

Material:

UL 94V-0 rated, 6/6 Nylon

Part Number: 176291-□

Housing Color

(for suffixed no.)

- 1—Natural
- 2—Red
- 4—Yellow
- 6—Blue
- 9—Black

