



# MINIATURE CIRCUIT BOARD INDICATOR

LED T-1 (3 mm) BLOCK ASSEMBLY

RED  
AMBER  
GREEN  
YELLOW  
BLUE

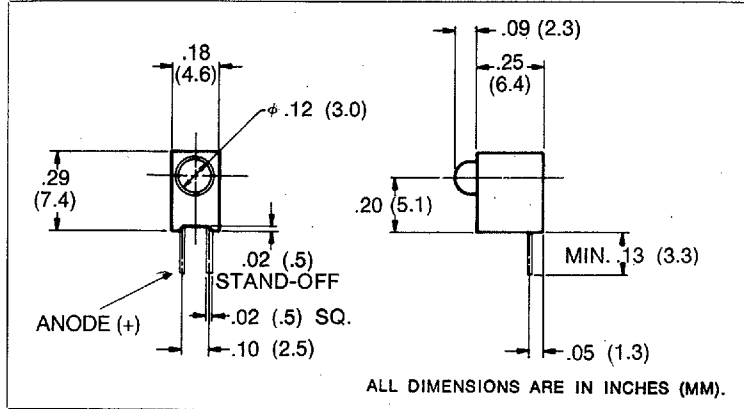
## SERIES 5650F, 5652F

### FEATURES

- T-1 size right angle block pre assembled & tested
- Super-Brite & High Brite LEDs - High light output - diffused lens



### OUTLINE DIMENSIONS



Alternate LEDs are also available in this package as standard variations.

SPECIFICATIONS	COLOR	TYPICAL INTENSITY	RATED CURRENT	CONTINUOUS FORWARD CURRENT-MAX	FORWARD VOLTAGE TYP	FORWARD VOLTAGE MAX	PEAK FORWARD CURRENT AT 1 Ms-300PPS	REVERSE BREAKDOWN VOLTAGE MIN	PEAK WAVE LENGTH	FOR MORE COMPLETE LED DATA
MODEL NO.		mcd	mA	mA	V	V	A	V	nm	PAGE
5650F1	RED	6.0	10	30	2.0	3.0	1.0	5	635	3-19
5650F3	AMB	5.0	10	25	2.0	3.0	.08	5	603	3-19
5650F5	GRN	12.0	20	30	2.2	3.0	.09	5	562	3-19
5650F6	BLUE	1.3	30	35	3.2	3.5	—	5	470	3-19
5650F7	YEL	20.0	20	30	2.1	3.0	1.0	5	585	3-19
5650F1LC	RED	1.8	2.0	7	1.8	2.2	.007	5	635	3-16
5650F5LC	GRN	1.6	1.0	7	1.8	2.2	.007	5	565	3-16
5650F7LC	YEL	1.8	2.0	7	1.9	2.7	.007	5	583	3-16
5652F1-5V	RED	8.0	13.0	20	5	7.5	—	3	655	3-18
5652F3-5V	AMB	8.0	10.0	15	5	7.5	—	3	583	3-18
5652F5-5V	GRN	8.0	12.0	15	5	7.5	—	3	565	3-18

LOW CURRENT

BUILT-IN RESISTOR 5 VOLTS