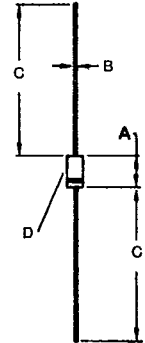


case 103

61 DE 1989963 0000154 5

3.0-6.0 Amperes

General Purpose Silicon Power Rectifier



A	.375 (9.53) MAX
B	.050 (1.27)
C	1.25 (31.8) MIN
D	.200 (5.08) MAX DIA

Dimensions In Inches (mm).

	CR3-005	CR3-010	CR3-020	CR3-040	CR3-060	CR3-080	CR3-100	CR3-120
V_{RRM} (volts)	50	100	200	400	600	800	1000	1200
V_R (volts)	50	100	200	400	600	800	1000	1200
V_R (RMS)(volts)	35	70	140	280	420	560	700	840

Maximum Ratings (@ $T_A = 25^\circ\text{C}$)

	SYMBOL	CR3 SERIES	CR5 SERIES	CR6 SERIES	UNITS
Average Forward Current	I_O	3.0	5.0	6.0	A
Peak Forward Surge Current	I_{FSM}	300	300	300	A
Operating & Storage Junction Temp	T_J, T_{STG}		-65 to +175		$^\circ\text{C}$

Electrical Characteristics (@ $T_A = 25^\circ\text{C}$)

	SYMBOL	CR3 SERIES	CR5 SERIES	CR6 SERIES	UNITS
Max. Forward Voltage Drop @ $I_F = \text{Rated } I_O$	V_F	1.1	1.1	1.1	V
Max. Reverse Current @ Rated V_{RRM}	I_R	5.0	5.0	5.0	μA

Fast and very fast recovery types available.
See Selection Guide pages 4-5.
For detailed specification sheets, consult factory.

CASE OUTLINE DRAWINGS

D



CASE A

CBR1 Series
CBR2 Series



CASE B

CBR1-L Series
CBR2-L Series



CASE C

CBR3-P Series



CASE D

CBR4-L Series



CASE E

CBR8 Series



CASE F

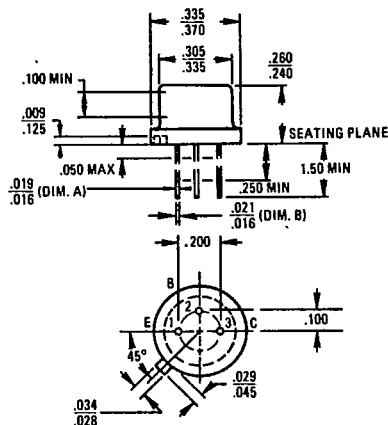
CBR10 Series, CBR25 Series
CBR12 Series, CBR30 Series

All Dimensions in Inches (Millimeters)
Drawings Not To Scale

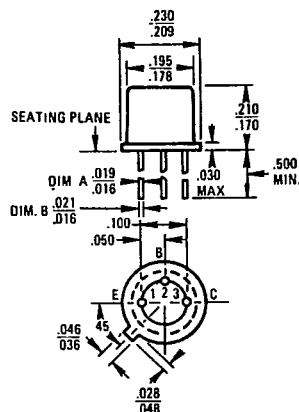
f

MECHANICAL OUTLINE DRAWINGS

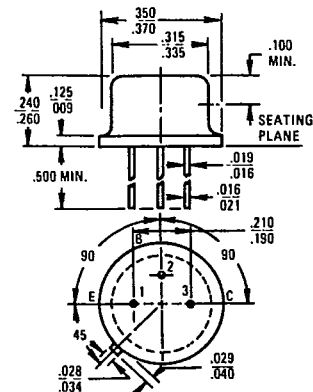
TO-5



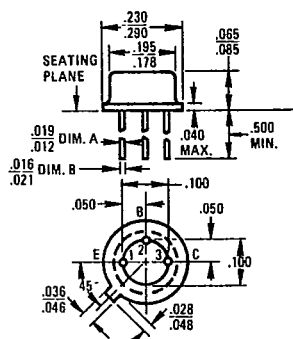
TO-18



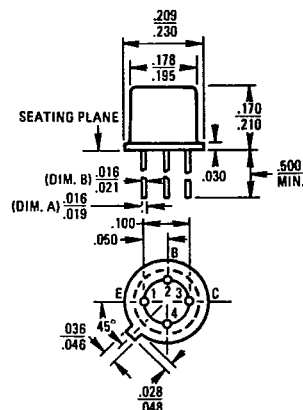
TO-39



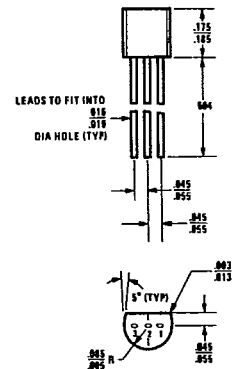
TO-46



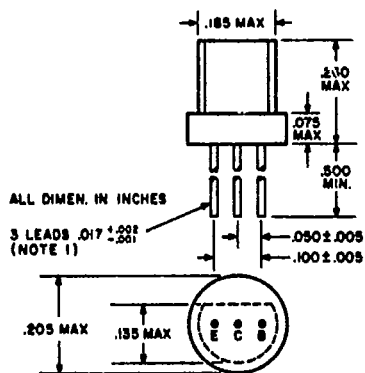
TO-72



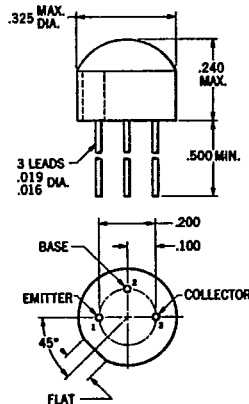
TO-92



TO-98



TO-105



TO-106

