

2.54mm (0.1") Shrouded Header with Ejector

(Straight & Right Angle)

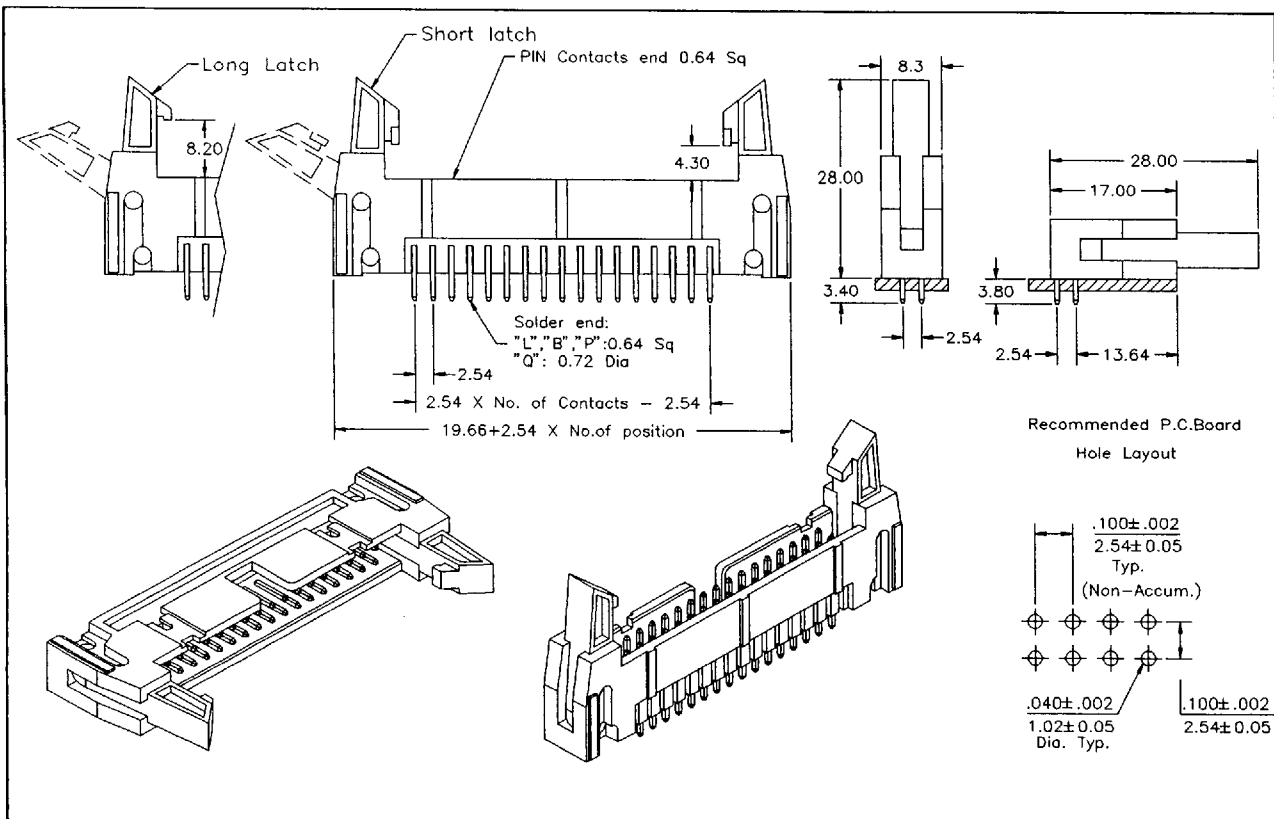
2301 Series

APPLICATION AND FEATURES

1. Provides fast connection/disconnection of flat cable assembly (I.D.C socket)
2. Assures reliable flat cable-to-P.C.Board interconnection.
3. Fully shrouded.
4. Optional latching features positions coupling/uncoupling.

SPECIFICATIONS

Current Rating: 3 Amps
 Insulator resistance: 5000 Megohms Min.
 Dielectric withstanding: AC 500 V
 Operating Temperature: -40°C to +105°C
 Contact Material: Brass or Phosphor bronze
 Insulator Material: Polyester, UL 94V-0



Order Information 2301 Series

Example: 2301-34-S-02-3.4-S

| Series No. | Connector Type | Contact Plating | Pin Length mm | Latch Type |
|---|---|--|---|---|
| 2301 | Straight <input type="checkbox"/> S Right Angle <input type="checkbox"/> R | Tin Plated <input type="checkbox"/> 01 Gold Plated <input type="checkbox"/> 02 Flash <input type="checkbox"/> 10 10 μ" <input type="checkbox"/> 10 30 μ" <input type="checkbox"/> 30 | S-L R-L <input type="checkbox"/> 3.4 <input type="checkbox"/> 3.8 | Optional Long latch <input type="checkbox"/> L Short latch <input type="checkbox"/> S Without latch <input type="checkbox"/> N |
| Number of Contacts 10,12,14,16,20,24,26, 30,34,40,50,60,64 | | | | |

SINGATRON ENT. CO., LTD. Tel.: (909) 464-1883 Fax.: (909) 464-1884

9011184 000095 684