

**PRODUCT NUMBER**  
98424-X52-XX-XXXLF

- PLATING \_\_\_\_\_
- S = 0.38µm GOLD/GXT ON CONTACT AREA  
2µm MIN MATTE TIN ON TAIL
  - G = 0.76µm GOLD/GXT ON CONTACT AREA  
2µm MIN MATTE TIN ON TAIL
  - F = GOLD FLASH ON CONTACT AREA  
2µm MIN MATTE TIN ON TAIL
  - T = 2.0-6.0µm FULL MATTE TIN
  - 1.27µm Ni MIN UNDERLAYER
- RoHS COMPATIBLE, SEE NOTE 8
- POLARIZATION (SEE NOTE 7)
- PACKAGING OPTIONAL LETTER (SEE NOTE 5)
- TOTAL NB OF POSITIONS, 04 TO 50
- COLOR OPTION NOTE 1

**NOTES:**

1. MATERIAL HOUSING: HIGH TEMP. THERMOPLASTIC UL-94VO  
- = STANDARD COLOR CREAM  
B = OPTIONAL COLOR BLACK
2. MATERIAL TERMINAL: COPPER ALLOY
3. TO DETERMINE DIMENSIONS:  
N = NUMBER OF POSITIONS PER ROW
4. 7N MIN. PIN RETENTION IN EITHER DIRECTION.
5. PACKAGING:  
= STANDARD PACKAGING IN POLYBAGS  
- = POLYBAGS PACKAGING WHEN POLARISATION FEATURE APPLICABLE  
U = TUBE AVAILABLE FROM 08 TO 50 POS  
A = TAPE AND REEL WITH PICK UP CAP INSTALLED IN THE CENTER OF THE PRODUCT FOR PICK AND PLACE, SEE TA884 FOR AVAILABILITY.  
K = TAPE AND REEL WITHOUT PICK UP CAP  
C = TAPE AND REEL WITH SPECIAL LARGE CAP, ONLY FOR 98424-Y52-06CLF FOR ALL SPECIAL PACKAGING, FCI TO BE CONTACTED  
UV = TUBE WITHOUT PICK UP CAP FOR CUSTOMER DEDICATED PART  
AV = TAPE & REEL WITH PICK UP CAP FOR CUSTOMER DEDICATED PART  
KV = TAPE & REEL WITHOUT PICK UP CAP FOR CUSTOMER DEDICATED PART

6. DIM "C" = (N x 2) + 1.4  
EXAMPLE: N = 7  
DIM "C" = (7 x 2) + 1.4 = 15.4 mm

7. FOR POLARIZATION, SPECIFIED PIN  
EXAMPLE : A03 = ROW A, POSITION 03 TO OMIT PIN  
OMIT FROM PRODUCT NUMBER IF THIS FEATURE IS NOT APPLICABLE

**8. RoHS COMPATIBLE PRODUCT SPECIFICATIONS**

**a - PLATING:**

- "LF" MEANS THE PRODUCT IS LEAD-FREE,  
2µm MINIMUM MATTE TIN OVER 1.27µm  
MINIMUM NICKEL UNDERPLATE.

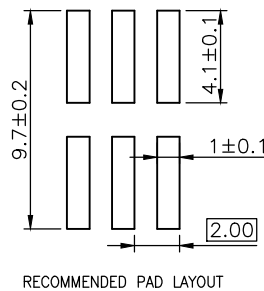
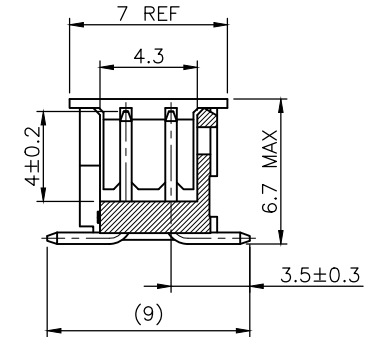
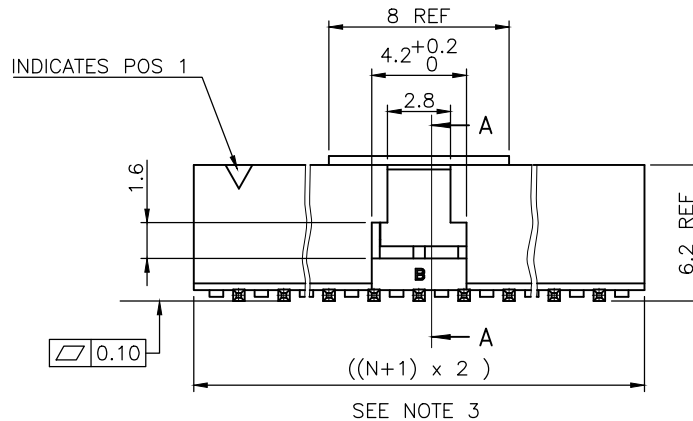
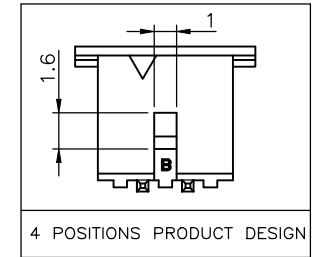
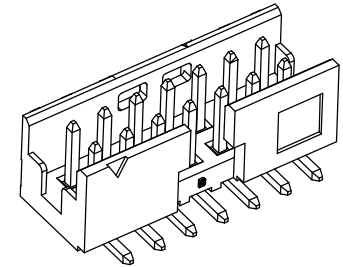
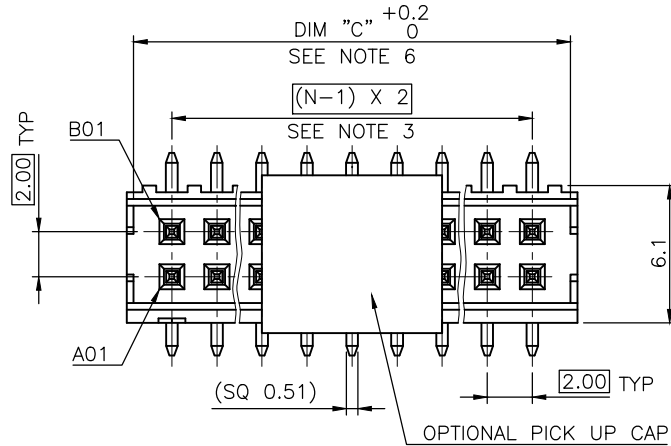
**b - MANUFACTURING PROCESS COMPATIBILITY**

- THE HOUSING WILL WITHSTAND EXPOSURE TO  
260°C PEAK TEMPERATURE FOR 30 SECONDES  
MAX IN A CONVECTION, INFRA-RED OR VAPOR  
PHASE OR REFLOW OVEN.

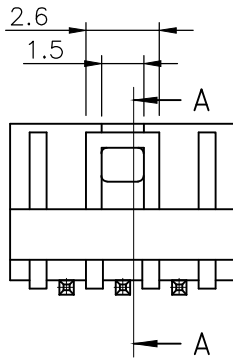
**c - LABELLING:**

- MEETS PACKAGING SPECS AS PER GS-14-920

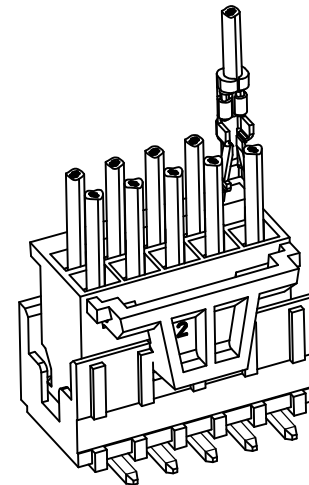
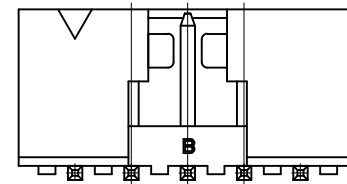
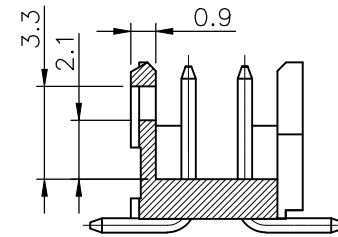
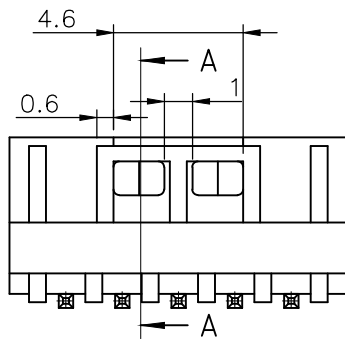
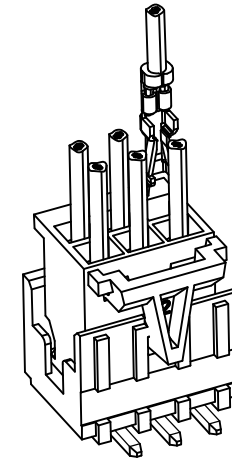
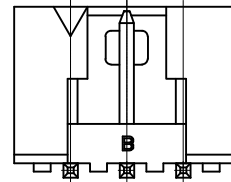
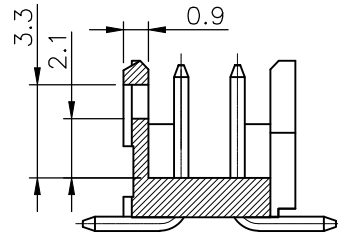
**d - THIS PRODUCT MEETS EUROPEAN DIRECTIVES  
AND OTHER COUNTRY REGULATIONS AS DISCRIBED  
IN GS-47-0004.**



mat'l. code SEE NOTES		surface ISO 1302 ✓	tolerance ISO 406 ISO 101	projection mm	product family MINITEK
ltr	ecn no dr date	tolerances unless otherwise specified		scale 1:1	title SHR HEADER 2.00 VERTICAL SMT
N	F10-0007 JCO 10.01.28	angles	X.X ±0.3		dwg no 98424
P	F11-0071 JCO 11.06.17	linear	X.XX ±0.13	FCI	type CUSTOMER Drawing
R	B-18975 LMU 14.10.01	dr	X.XXX ±0.05		
S	B-19190 LMU 14.10.24	engr	L.MULIN 04.09.27	sheet index	
T	B-19797 AMA 14.12.16	chr	J.COMPAGNON 04.09.27	revision	U A
U	B-19988 LMU 15.01.13	appd	JMC 04.09.27	1 2	



2x3 POS AND 2x4 POS CONFIGURATION  
NO LATCHING AVAILABLE FOR 2x2 POS



2x5 POS UP TO 2x25 POS CONFIGURATION

LATCHING FEATURES WHEN USED IN COMBINATION  
WITH ACTIVE LATCH HOUSING 10073599

mat'l. code		surface		tolerance		projection		product family	
SEE NOTES		ISO 1302 ✓		ISO 406 ISO		101		MINITEK	
ltr	ecn no	dr	date	tolerances unless otherwise specified					
A	F08-0113	LMU	08.01.17	angles	linear	X.X ±0.3	mm		title
						X.XX ±0.13	← mm →		SHR HEADER
						X.XXX ±0.05	scale 1:1		2.00 VERTICAL SMT
		dr	L.MULIN	07.11.06					dwg no
		enr	J.COMPAGNON	07.11.06					sheet 2 of - size
		chr							98424 A3
		appd	JM.C	07.11.06					type
		CUSTOMER Drawing							
sheet	revision								
index	sheet								



Copyright FCI