

*** 1055 Series ***

RoHS COMPLIANT

Material:

* Insulator: Thermalplastic PA46 UL94V-0

* Terminal: Phosphor bronze C5191

Electrical:

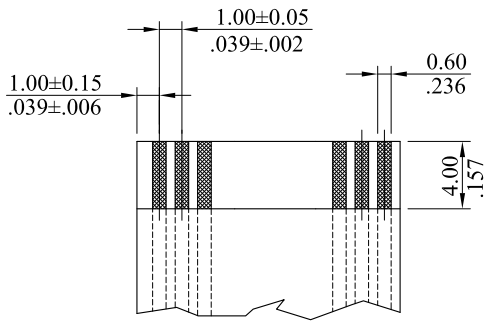
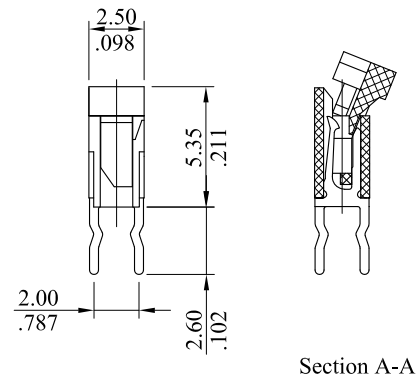
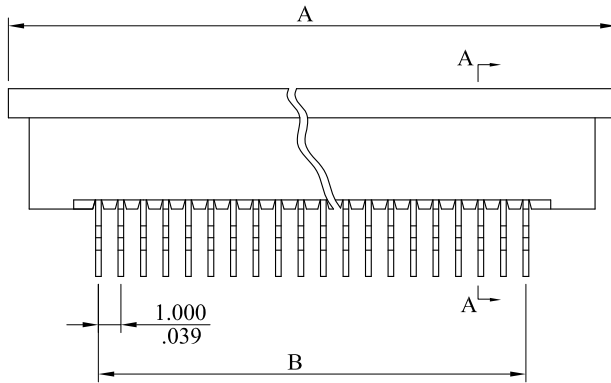
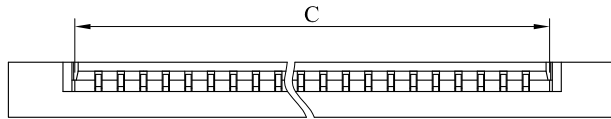
* Current rating: 0.5A

* Contact resistance: 30 mΩ Max.

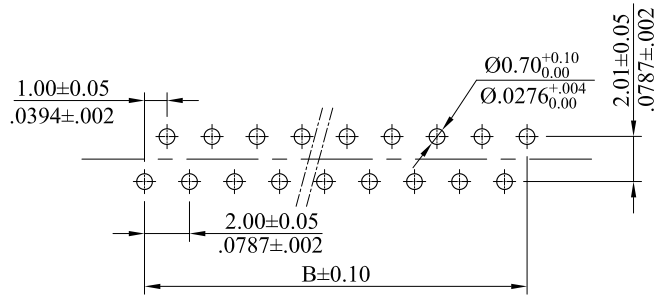
* Withstanding voltage: 500V

* Insulator resistance: 500MΩ Min.

* Temperature rating : -20°C to +85°C



Recommended FFC/FPC Pattern
Thickness 0.3mm (.012")



PCB Layout

				leoco LEOCO CORPORATION		APPROVED:		PART NO.:			
				GENERAL TOLERANCES: (UNLESS SPECIFIED)		DATE:		1055S**VT00			
						CHECKED:		TITLE:			
						DATE:		1.0mm(.039") Pitch FFC/FPC Connector			
						DRAWN:		DRAWING NO.:			
						DATE:		105501S			
B	ES101209			1 PLACE	± 0.30	± --	UNITS	SCALE	SIZE	SHEET	REV.
A	DWG REL			2 PLACES	± 0.20	± .012					
				3 PLACES	± 0.10	± .008	mm	3:1	A4	1/2	B
REV.	ECO. NO.	CHG.	APP.	4 PLACES	± --	± .004	inch				
				ANGULAR ± (1°)							

Ordering Information :

RoHS COMPLIANT


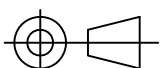
1055S ** V T 0 0
1 2

1. No. of circuits

2. Plating:

T= Tin plated 100~200u" over 50~100u" nickel overall

Circuits	Dim.A	Dim.B	Dim.C
04	11.00(.433)	3.00(.118)	5.10(.201)
05	12.00(.472)	4.00(.157)	6.10(.240)
06	13.00(.512)	5.00(.197)	7.10(.280)
07	14.00(.551)	6.00(.236)	8.10(.319)
08	15.00(.591)	7.00(.276)	9.10(.358)
09	16.00(.630)	8.00(.315)	10.10(.398)
10	17.00(.669)	9.00(.354)	11.10(.437)
11	18.00(.709)	10.00(.394)	12.10(.476)
12	19.00(.748)	11.00(.433)	13.10(.516)
13	20.00(.787)	12.00(.472)	14.10(.555)
14	21.00(.827)	13.00(.512)	15.10(.594)
15	22.00(.866)	14.00(.551)	16.10(.634)
16	23.00(.906)	15.00(.591)	17.10(.673)
17	24.00(.945)	16.00(.630)	18.10(.713)
18	25.00(.984)	17.00(.669)	19.10(.752)
19	26.00(1.024)	18.00(.709)	20.10(.791)
20	27.00(1.063)	19.00(.748)	21.10(.831)
21	28.00(1.102)	20.00(.787)	22.10(.870)
22	29.00(1.142)	21.00(.827)	23.10(.909)
23	30.00(1.181)	22.00(.866)	24.10(.949)
24	31.00(1.220)	23.00(.906)	25.10(.988)
25	32.00(1.260)	24.00(.945)	26.10(1.028)
26	33.00(1.299)	25.00(.984)	27.10(1.067)
27	34.00(1.339)	26.00(1.024)	28.10(1.106)
28	35.00(1.378)	27.00(1.063)	29.10(1.146)
29	36.00(1.417)	28.00(1.102)	30.10(1.185)
30	37.00(1.457)	29.00(1.142)	31.10(1.224)
31	38.00(1.496)	30.00(1.181)	32.10(1.268)
32	39.00(1.535)	31.00(1.220)	33.10(1.303)
33	40.00(1.575)	32.00(1.260)	34.10(1.343)
34	41.00(1.614)	33.00(1.299)	35.10(1.382)
35	42.00(1.654)	34.00(1.339)	36.10(1.421)

				 LEOCO CORPORATION	APPROVED:		PART NO.:						
					GENERAL TOLERANCES: (UNLESS SPECIFIED)		DATE:		1055S**VT00				
					mm	inch	CHECKED:		TITLE:				
				1 PLACE	± 0.30	± --	DATE:		1.0mm(.039") Pitch FFC/FPC Connector				
				2 PLACES	± 0.20	± .012	DRAWN:		DRAWING NO.:				
				3 PLACES	± 0.10	± .008	DATE:		105501S				
				4 PLACES	± --	± .004			UNITS	SCALE	SIZE	SHEET	REV.
REV.	ECO. NO.	CHG.	APP.	ANGULAR ± (1°)					$\frac{mm}{inch}$	3:1	A4	2/2	B