

SPECIFICATIONS

Mechanical

Contact Mating Force: 3.1kg (6.8Lb) max.
Contact Unmating Force: 0.2kg (0.4Lb) min.
Contact Retention Force: 1.82kg (4.0Lb) min.

Electrical

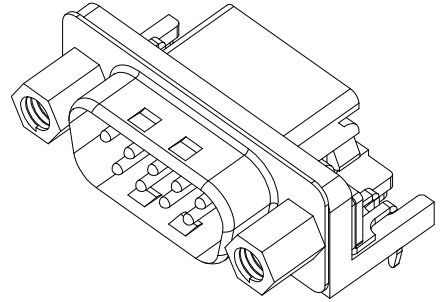
Current Rating: 2.0A
Contact Resistance: 35mW max.
Dielectric Withstanding Voltage: 1000V AC/1min min.
Insulation Resistance: 5000MW

Physical

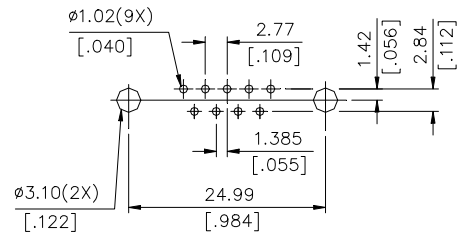
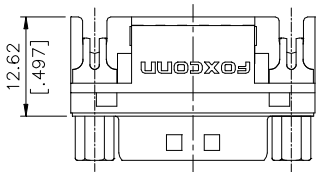
Housing: Thermoplastic, UL 94V-0 rated in Teal 322C Color
Contact: Copper alloy
Plating: See "ORDERING INFORMATION"
Solder Pad: Copper alloy
Operating Temperature: -55 to +105

D-SUB Connector

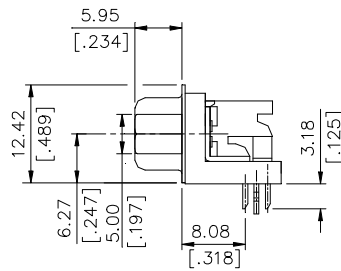
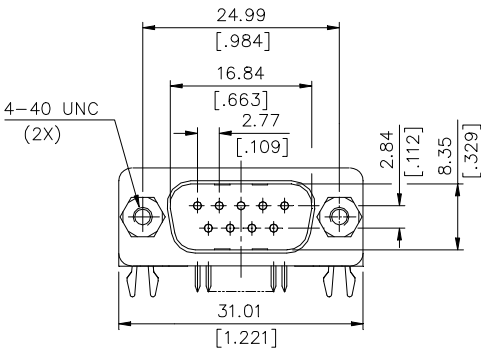
DT Series
Right Angle Type, T/H
2.77mm [.109"] Pitch
9 Pos.



DRAWING



RECOMMENDED P.C.B. LAYOUT



ORDERING INFORMATION

