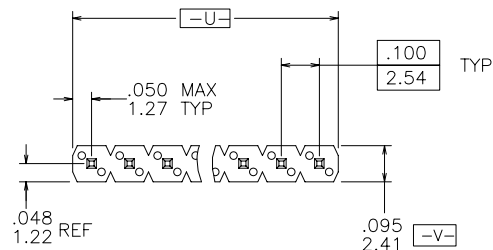


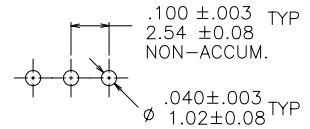
PRODUCT NUMBER

XXXXX-YYY HTLF

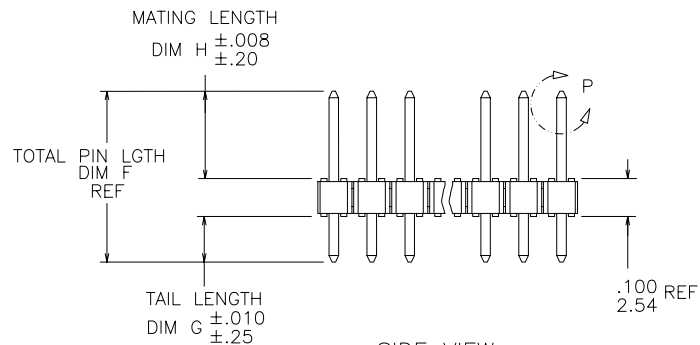
- LEAD FREE OPTION
(SEE NOTES 1)
- PACKAGING OPTIONS
(SEE NOTE 1)
- HIGH TEMPERATURE PLASTIC
(SEE NOTE 1)
- NO. OF POSITIONS
(SEE NOTE 1)
- PIN PLATING
(SEE SHEET 2)
- BASE PART NO.



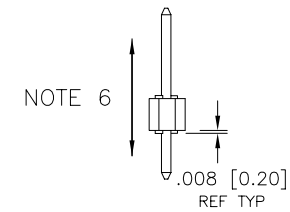
TOP VIEW



RECOMMENDED HOLE PATTERN



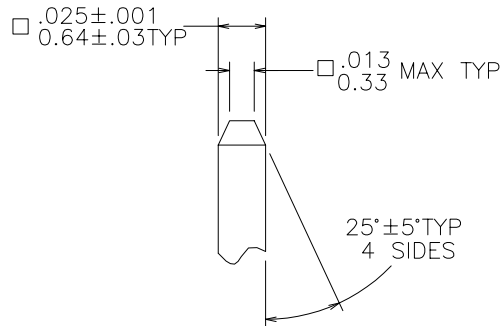
SIDE VIEW



END VIEW

⊕ Ø.020/.51 (M) U (M) V (S)

NOTE 4



DETAIL P
TYP BOTH ENDS

| | | | | | | | | | |
|--------------------------------|----------|---------------------------------------|----------|----------------------------------|------------------|-----------------------|----|---|----|
| mat'l. code SEE NOTES 2 & 3 | | surface ISO 1302 ✓ | | tolerance ISO 406 ISO 1101 | | projection INCH/MM | | product family BERGSTIK | |
| ltr ecn no dr date | | tolerances unless otherwise specified | | angles linear | | scale 1:1 | | title BERGSTIK® II HEADER .100/2.54cc SR STRAIGHT | |
| CG | V20790 | GIP | 04/23/02 | | .xx±.01/0.3 | | | dwg no 68000 | |
| CH | V21800 | TAB | 12/16/02 | | .xxx±.005/0.13 | | | sheet 1 of 8 size A3 | |
| CJ | M04-0234 | MHT | 12/29/04 | 0°±2' | .xxx±.0020/0.051 | | | type Product Customer Drawing | |
| CK | M05-0072 | MHT | 5/03/05 | dr | T.BREWBAKER | 01/05/95 | | | |
| CL | M06-0039 | MHT | 1/18/06 | engr | T.HANNA | 01/05/95 | | | |
| CM | M06-0268 | MHT | 7/17/06 | chr | J.MURPHY | 01/05/95 | | | |
| CN | M06-0346 | MHT | 9/04/06 | appd | T.HANNA | 01/05/95 | | | |
| sheet index | revision | CN | CN | CN | CN | CN | CN | CN | CN |
| | sheet | 1 | 2 | 3 | 4 | 5 | 6 | 7 | 8 |

| PIN PLATING CODES: | |
|--------------------|---|
| XXXX-1YY | 30u"/0.76u MIN (SEE NOTE 13) OVER 50u"/1.27u MIN Ni |
| XXXX-2YY | 15u"/0.38u MIN (SEE NOTE 13) OVER 50u"/1.27u MIN Ni |
| XXXX-3YY | 50u"/1.27u MIN Au OVER 50u"/1.27u MIN Ni |
| XXXX-4YY | 100u"/2.54u MIN Sn OVER 50u"/1.27u MIN Ni (SEE NOTE 14) |
| XXXX-4YYHLF | |
| XXXX-5YY | 15u"/0.38u MIN (SEE NOTE 13) OVER 50u"/1.27u MIN Ni |
| XXXX-6YY | 30u"/0.76u MIN (SEE NOTE 13) OVER 50u"/1.27u MIN Ni |
| XXXX-7YY | 30u"/0.76u MIN Au OVER 50u"/1.27u MIN Ni |
| XXXX-8YY | 15u"/0.38u MIN Au OVER 50u"/1.27u MIN Ni |
| XXXX-9YY | 15u"/0.38u MIN GXT OVER 50u"/1.27u MIN Ni |
| XXXX-0YY | 30u"/0.76u MIN GXT OVER 50u"/1.27u MIN Ni |

NOTES

1. PART NUMBER OPTIONS:

PIN PLATING CODES (SEE ABOVE)

HIGH TEMP. MATERIAL:

FOR HIGH-TEMPERATURE APPLICATIONS, SPECIFY AN "H" AT THE END OF THE PART NUMBER.

NUMBER OF POSITIONS :

ANY NUMBER OF POSITIONS FROM 1 THRU 36.
 -X00H INDICATES BERGSTRIIP PRODUCT. SEE PAGE 3 FOR SPECIAL GEOMETRY OF THIS CONTINUOUS STRIP PRODUCT.
 AUTOMATED REELS WILL CONTAIN 36,000 PINS.
 SEE SPECIFIC PART NUMBERS FOR AVAILABILITY.

PACKAGING :

NO INDICATOR IS STANDARD PACKAGING IN POLY BAGS.
 EIGHT DIGIT PART NUMBERS FOLLOWED BY A "T" ARE PACKAGED IN TUBES. SEE SPECIFIC PART NUMBERS FOR AVAILABILITY.
 EIGHT DIGIT PART NUMBERS FOLLOWED BY A "C" ARE PACKAGED IN TUBES WITH PICKUP CAP APPLIED. (NOT TOOLED)

BERGSTRIIP™ PART NUMBERS FOLLOWED BY A "B" ARE BULK PRICED.

LEAD FREE :

ADD "HLF" SUFFIX AT THE END OF PART NUMBER FOR LEAD FREE OPTION, NOT AVAILABLE FOR -5YY,-5YYH, -6YY & -6YYH

- 2. BODY MATERIAL :
 BERGSTIK: MANUFACTURER'S OPTION OF NYLON OR PCT, GLASS FIBER REINFORCED, FLAME RETARDENT PER UL-94V-0. COLOR : BLACK
 BERGSTRIIP™: PRODUCED WITH HIGH TEMPERATURE LCP THERMOPLASTIC, FLAME RETARDENT PER UL-94V-0. COLOR : BLACK
 PART NUMBERS WITH "H" SUFFIX WILL WITHSTAND EXPOSURE TO 260°C PEAK TEMPERATURE FOR 20 SECONDS IN WAVE SOLDER, INFRA-RED OR VAPOR PHASE SOLDER PROCESS.
 PART NUMBERS WITHOUT "H" SUFFIX WILL WITHSTAND EXPOSURE TO 260°C PEAK TEMPERATURE FOR WAVE SOLDER PROCESS.
- 3. PIN MATERIAL : PHOS-BRONZE.
- 4. MEASURED WITH PART IN RESTRAINED CONDITION.
- 5. TWO SIDES OF PIN TIPS NOT PLATED. TYPICAL BOTH ENDS.
- 6. 2LBS/0.9KG MIN PIN RETENTION IN EITHER DIRECTION.
- 7. PIN CANNOT PROTRUDE PAST EDGE OF HOUSING. MUST BE .005±.005/.13±.13 FROM END OF HOUSING HOLE.
- 8. MILITARY BERGSTIK HEADER
 P/N XXXXX-YYY-MIL.
 NOT AVAILABLE.
- 9. ±.010/0.25 TOL APPLIES TO ALL "G" TAILS EXCEPT INDICATED PARTS ON TABLE WHERE +.010/0.25 -.000/0.00 APPLIES.
- 10. INDICATED PART NUMBERS ARE PRODUCED AND SOLD IN THE TAIWAN/SINGAPORE AREAS. THESE ARE NOT AVAILABLE IN BERGSTRIIP™ CONTINUOUS STRIP.
- 11. NOTCH CONFIGURATION WILL VARY PER VENDOR'S DISCRETION.
- 12. THESE PRODUCTS MEETS EUROPEAN UNION DIRECTIVES AND OTHER COUNTRY REGULATION AS DESCRIBED IN GS-22-008.
- 13. PLATING OPTIONS:
 MAY BE EITHER GOLD OR GXT PLATED AT MANUFACTURER'S OPTION.
- 14. "THIS PRODUCT HAS 100% TIN PLATING IN THE INTERFACE AND HAS NOT BEEN TESTED FOR WHISKER GROWTH IN ALL INTERCONNECT ENVIRONMENTS."



FCIconnect.com

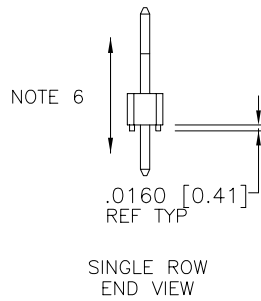
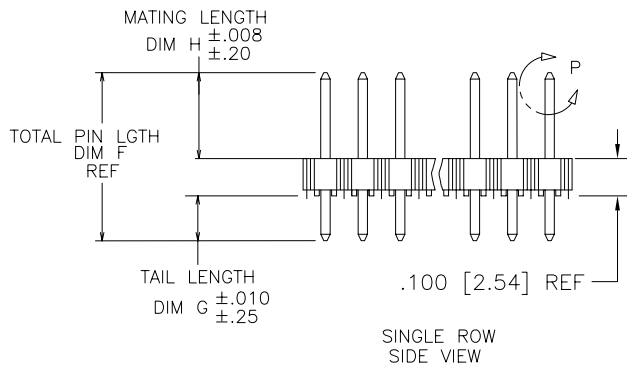
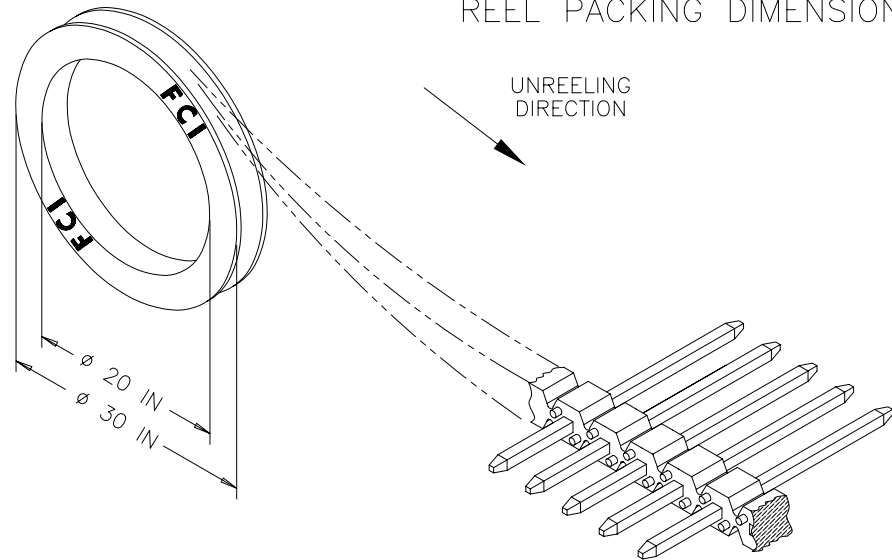
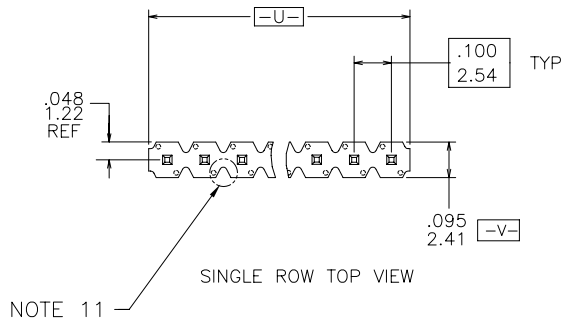
Copyright FCI

| | | | | | | | | | |
|--------------------------------|----------------|-----------------------|----|----------------------------------|-------------|---------------------------------------|-----------|----------------------------|-------------------------------|
| mat'l. code SEE NOTES 2 & 3 | | surface ISO 1302 ✓ | | tolerance ISO 406 ISO 1101 | | projection ⊕ | | product family BERGSTIK | |
| ltr | ecn | no | dr | date | | tolerances unless otherwise specified | | title | |
| CN | | | | angles | linear | .xx±.01/0.3 | INCH/MM | | BERGSTIK® II HEADER |
| | | | | 0'±2' | | .xxx±.005/0.13 | scale 1:1 | | .100/2.54cc SR STRAIGHT |
| | | | | dr | T.BREWBAKER | 01/05/95 | FCI | | dwg no |
| | | | | enrg | T.HANNA | 01/05/95 | | | sheet 2 of 8 size |
| | | | | chr | J.MURPHY | 01/05/95 | | | 68000 A3 |
| | | | | appd | T.HANNA | 01/05/95 | | | type Product Customer Drawing |
| sheet index | revision sheet | | | | | | | | |

1 | 2 | 3 | 4 | 5 | 6

BERGSTRIPTM HEADER

REEL PACKING DIMENSIONS



FCJ
 FCJconnect.com
 Copyright FCJ

| | | | | | |
|--------------------------------|----------------|---------------------------------------|----------------------------------|-----------------|---|
| mat'l. code SEE NOTES 2 & 3 | | surface ISO 1302 ✓ | tolerance ISO 406 ISO 1101 | projection ⊕ | product family BERGSTIK |
| ltr ecn no dr date | | tolerances unless otherwise specified | | INCH/MM | title BERGSTIK® II HEADER .100/2.54cc SR STRAIGHT |
| CN | | angles | .XX±.01/0.3 | scale 1:1 | dwg no 68000 |
| | | linear | .xxx±.005/0.13 | | sheet 3 of 8 size A3 |
| | | 0°±2' | .xxx±.0020/0.051 | | type Product Customer Drawing |
| | | dr | T.BREWBAKER 01/05/95 | FCJ | |
| | | enr | T.HANNA 01/05/95 | | |
| | | chr | J.MURPHY 01/05/95 | | |
| | | appd | T.HANNA 01/05/95 | | |
| sheet index | revision sheet | | | | |

form: A3 | 1 | 2 | 3 | 4 | 5 | 6

| PRODUCT NUMBER | TOTAL PIN LGTH | | TAIL LENGTH | | MATING LENGTH | | | | BERGSTRIPTM | LF OPTION |
|----------------|----------------|--------|-------------|--------|---------------|--------|-----------------|-----------|-------------|--------------|
| | DIM F | DIM F | DIM G | DIM G | DIM H | DIM H | | AVAILABLE | | |
| | ENGLISH | METRIC | ENGLISH | METRIC | ENGLISH | METRIC | PACKAGING | NOTES | | |
| 55492-XYH | 0.315 | 8.00 | 0.095 | 2.41 | 0.120 | 3.05 | POLY BAGS | - | NO | NOTE 1,12 |
| 60017-XYH | 0.640 | 16.26 | 0.210 | 5.33 | 0.310 | 7.87 | POLY BAGS | - | NO | |
| 60018-XYH | 0.660 | 16.76 | 0.250 | 6.35 | 0.310 | 7.87 | POLY BAGS | - | NO | |
| 63334-XYH | 0.435 | 11.05 | 0.095 | 2.41 | 0.240 | 6.10 | POLY BAGS | - | NO | |
| 68000-XY | 0.425 | 10.80 | 0.095 | 2.41 | 0.230 | 5.84 | POLY BAGS | - | YES | |
| 68001-XY | 0.450 | 11.43 | 0.120 | 3.05 | 0.230 | 5.84 | POLY BAGS/TUBES | - | YES | |
| 68002-XY | 0.480 | 12.19 | 0.150 | 3.81 | 0.230 | 5.84 | POLY BAGS | - | YES | |
| 68003-XY | 0.525 | 13.34 | 0.195 | 4.95 | 0.230 | 5.84 | POLY BAGS | - | NO | |
| 68004-XY | 0.525 | 13.34 | 0.107 | 2.72 | 0.318 | 8.08 | POLY BAGS | - | YES | |
| 68024-XY | 0.568 | 14.43 | 0.150 | 3.81 | 0.318 | 8.08 | POLY BAGS | - | YES | |
| 68031-XY | 0.513 | 13.03 | 0.183 | 4.65 | 0.230 | 5.84 | POLY BAGS | - | NO | |
| 68032-XY | 0.543 | 13.79 | 0.213 | 5.41 | 0.230 | 5.84 | POLY BAGS | - | NO | |
| 68033-XY | 0.708 | 17.98 | 0.473 | 12.01 | 0.135 | 3.43 | POLY BAGS | - | NO | |
| 68415-XY | 0.615 | 15.62 | 0.115 | 2.92 | 0.400 | 10.16 | POLY BAGS | - | NO | |
| 68416-XY | 0.813 | 20.65 | 0.483 | 12.27 | 0.230 | 5.84 | POLY BAGS | - | NO | |
| 68418-XY | 0.730 | 18.54 | 0.400 | 10.16 | 0.230 | 5.84 | POLY BAGS | - | NO | |
| 68422-XY | 0.631 | 16.03 | 0.213 | 5.41 | 0.318 | 8.08 | POLY BAGS | - | NO | |
| 68443-XY | 0.755 | 19.18 | 0.425 | 10.80 | 0.230 | 5.84 | POLY BAGS | - | NO | |
| 68456-XY | 0.825 | 20.96 | 0.115 | 2.92 | 0.610 | 15.49 | POLY BAGS | - | NO | |
| 68457-XY | 0.548 | 13.92 | 0.130 | 3.30 | 0.318 | 8.08 | POLY BAGS | - | NO | |
| 68465-XY | 0.925 | 23.50 | 0.595 | 15.11 | 0.230 | 5.84 | POLY BAGS | - | NO | |
| 68466-XY | 0.925 | 23.50 | 0.128 | 3.25 | 0.697 | 17.70 | POLY BAGS | - | NO | |
| 68472-XY | 0.913 | 23.19 | 0.413 | 10.49 | 0.400 | 10.16 | POLY BAGS | - | NO | |
| 68479-XY | 0.718 | 18.24 | 0.388 | 9.86 | 0.230 | 5.84 | POLY BAGS | - | NO | |
| 68483-XY | 0.835 | 21.21 | 0.417 | 10.59 | 0.318 | 8.08 | POLY BAGS | - | NO | |
| 68487-XY | 0.705 | 17.91 | 0.110 | 2.79 | 0.495 | 12.57 | POLY BAGS | - | NO | |
| 68489-XY | 1.095 | 27.81 | 0.765 | 19.43 | 0.230 | 5.84 | POLY BAGS | - | NO | |
| 68490-XY | 1.025 | 26.04 | 0.695 | 17.65 | 0.230 | 5.84 | POLY BAGS | - | NO | |
| 68497-XY | 0.612 | 15.54 | 0.085 | 2.16 | 0.427 | 10.85 | POLY BAGS | - | NO | |
| 68603-XY | 0.555 | 14.10 | 0.120 | 3.05 | 0.335 | 8.51 | POLY BAGS | - | NO | |
| 68604-XY | 0.600 | 15.24 | 0.120 | 3.05 | 0.380 | 9.65 | POLY BAGS | - | NO | |



FCIconnect.com

Copyright FCI

| | | | | | |
|--------------------------------|----------------|-----------------------|----------------------------------|----------------|---|
| mat'l. code SEE NOTES 2 & 3 | | surface ISO 1302 ✓ | tolerance ISO 406 ISO 1101 | projection | product family BERGSTIK |
| ltr | ecn | no | dr | date | tolerances unless otherwise specified |
| CN | | | | | angles .XX±.01/0.3 linear .xxx±.005/0.13 |
| | | | | | 0'±2' .xxx±.0020/0.051 |
| | | | dr | T.BREWBAKER | 01/05/95 |
| | | | enr | T.HANNA | 01/05/95 |
| | | | chr | J.MURPHY | 01/05/95 |
| | | | appd | T.HANNA | 01/05/95 |
| sheet index | revision sheet | | | | |



title
BERGSTIK® II HEADER
.100/2.54cc SR STRAIGHT

scale 1:1

dwg no 68000 sheet 4 of 8 size A3

type Product Customer Drawing

| PRODUCT NUMBER | TOTAL PIN LGTH | | TAIL LENGTH | | MATING LENGTH | | PACKAGING | NOTES | BERGSTRIPTM AVAILABLE | LF OPTION |
|----------------|----------------|--------|-------------|--------|---------------|--------|-----------|-------|--------------------------|--------------|
| | DIM F | DIM F | DIM G | DIM G | DIM H | DIM H | | | | |
| | ENGLISH | METRIC | ENGLISH | METRIC | ENGLISH | METRIC | | | | |
| 68629-YYY | 0.621 | 15.77 | 0.203 | 5.16 | 0.318 | 8.08 | POLY BAGS | - | NO | NOTE 1,12 |
| 68630-YYY | 0.603 | 15.32 | 0.273 | 6.93 | 0.230 | 5.84 | POLY BAGS | - | NO | |
| 68631-YYY | 0.703 | 17.86 | 0.203 | 5.16 | 0.400 | 10.16 | POLY BAGS | - | NO | |
| 68632-YYY | 0.743 | 18.87 | 0.413 | 10.49 | 0.230 | 5.84 | POLY BAGS | - | NO | |
| 68633-YYY | 0.643 | 16.33 | 0.225 | 5.72 | 0.318 | 8.08 | POLY BAGS | - | NO | |
| 68634-YYY | 1.013 | 25.73 | 0.683 | 17.35 | 0.230 | 5.84 | POLY BAGS | - | NO | |
| 68642-YYY | 0.913 | 23.19 | 0.583 | 14.81 | 0.230 | 5.84 | POLY BAGS | - | NO | |
| 68652-YYY | 1.470 | 37.34 | 0.670 | 17.02 | 0.700 | 17.78 | POLY BAGS | - | NO | |
| 68653-YYY | 0.735 | 18.67 | 0.095 | 2.41 | 0.540 | 13.72 | POLY BAGS | - | NO | |
| 68654-YYY | 1.050 | 26.67 | 0.670 | 17.02 | 0.280 | 7.11 | POLY BAGS | - | NO | |
| 68655-YYY | 0.708 | 17.98 | 0.290 | 7.37 | 0.318 | 8.08 | POLY BAGS | - | NO | |
| 68656-YYY | 1.113 | 28.27 | 0.613 | 15.57 | 0.400 | 10.16 | POLY BAGS | - | NO | |
| 68657-YYY | 0.588 | 14.94 | 0.368 | 9.35 | 0.120 | 3.05 | POLY BAGS | - | NO | |
| 68658-YYY | 0.820 | 20.83 | 0.130 | 3.30 | 0.590 | 14.99 | POLY BAGS | - | NO | |
| 68659-YYY | 0.608 | 15.44 | 0.398 | 10.11 | 0.110 | 2.79 | POLY BAGS | - | NO | |
| 68686-YYY | 1.016 | 25.81 | 0.458 | 11.63 | 0.458 | 11.63 | POLY BAGS | - | NO | |
| 68689-YYY | 0.913 | 23.19 | 0.213 | 5.41 | 0.600 | 15.24 | POLY BAGS | - | NO | |
| 68705-YYY | 0.395 | 10.03 | 0.095 | 2.41 | 0.200 | 5.08 | POLY BAGS | - | NO | |
| 68717-YYY | 0.615 | 15.62 | 0.285 | 7.24 | 0.230 | 5.84 | POLY BAGS | - | NO | |
| 68730-YYY | 0.555 | 14.10 | 0.225 | 5.72 | 0.230 | 5.84 | POLY BAGS | - | NO | |
| 68731-YYY | 0.880 | 22.35 | 0.440 | 11.18 | 0.340 | 8.64 | POLY BAGS | - | NO | |
| 68735-YYY | 1.016 | 25.81 | 0.520 | 13.21 | 0.396 | 10.06 | POLY BAGS | - | NO | |
| 68755-YYY | 1.166 | 29.62 | 0.533 | 13.54 | 0.533 | 13.54 | POLY BAGS | - | NO | |
| 68760-YYY | 0.803 | 20.40 | 0.353 | 8.97 | 0.350 | 8.89 | POLY BAGS | - | NO | |
| 68762-YYY | 0.588 | 14.94 | 0.213 | 5.41 | 0.275 | 6.99 | POLY BAGS | - | NO | |
| 68771-YYY | 0.470 | 11.94 | 0.100 | 2.54 | 0.270 | 6.86 | POLY BAGS | - | NO | |
| 68781-YYY | 0.691 | 17.55 | 0.273 | 6.93 | 0.318 | 8.08 | POLY BAGS | - | NO | |



FCIconnect.com

Copyright FCI

| | | | | | |
|--------------------------------|----------------|---|----------------------------------|---------------------------------------|-------------------------------|
| mat'l. code SEE NOTES 2 & 3 | | surface ISO 1302 <input checked="" type="checkbox"/> | tolerance ISO 406 ISO 1101 | projection | product family BERGSTIK |
| ltr | ecn no | dr | date | tolerances unless otherwise specified | title |
| CN | | | | angles linear .XX±.01/0.3 | BERGSTIK® II HEADER |
| | | | | 0'±2' .xxx±.005/0.13 | .100/2.54cc SR STRAIGHT |
| | | | | .xxxx±.0020/0.051 | scale 1:1 |
| | | dr | T.BREWBAKER | 01/05/95 | dwg no |
| | | enr | T.HANNA | 01/05/95 | sheet 5 of 8 size |
| | | chr | J.MURPHY | 01/05/95 | 68000 A3 |
| | | appd | T.HANNA | 01/05/95 | type Product Customer Drawing |
| sheet index | revision sheet | | | | |



form: A3

| PRODUCT NUMBER | TOTAL PIN LGTH | | TAIL LENGTH | | MATING LENGTH | | PACKAGING | NOTES | BERGSTRIPTM AVAILABLE | LF OPTION |
|----------------|----------------|--------|---------------|--------|---------------|--------|-----------------|---------|--------------------------|--------------|
| | DIM F | DIM F | DIM G | DIM G | DIM H | DIM H | | | | |
| | ENGLISH | METRIC | ENGLISH | METRIC | ENGLISH | METRIC | | | | |
| 68795-YYY | 0.500 | 12.70 | 0.062 | 1.57 | 0.338 | 8.59 | POLY BAGS | - | NO | NOTE 1,12 |
| 68796-YYY | 0.633 | 16.08 | 0.423 | 10.74 | 0.110 | 2.79 | POLY BAGS | - | NO | |
| 68797-YYY | 0.413 | 10.49 | 0.213 | 5.41 | 0.100 | 2.54 | POLY BAGS | - | NO | |
| 69148-YYY | 0.442 | 11.43 | 0.000 | 0.00 | 0.350 | 8.89 | POLY BAGS | - | NO | |
| 69152-YYY | 0.720 | 18.29 | 0.120 | 3.05 | 0.500 | 12.70 | POLY BAGS/TUBES | - | NO | |
| 69173-YYY | 0.530 | 13.46 | 0.135 | 3.43 | 0.295 | 7.49 | POLY BAGS | - | NO | |
| 69188-YYY | 0.751 | 19.08 | 0.333 | 8.46 | 0.318 | 8.08 | POLY BAGS | - | NO | |
| 69751-YYY | 0.440 | 11.18 | 0.170 | 4.32 | 0.170 | 4.32 | POLY BAGS | NOTE 10 | NO | |
| 71417-YYY | 0.664 | 16.87 | 0.115 | 2.92 | 0.449 | 11.40 | POLY BAGS | NOTE 10 | NO | |
| 72260-XXYH | 0.930 | 23.62 | 0.090 | 2.29 | 0.740 | 18.80 | POLY BAGS | - | NO | |
| 72323-XXYH | 1.200 | 30.48 | 0.100 | 2.54 | 1.000 | 25.40 | POLY BAGS | - | NO | |
| 72457-XXYH | 1.100 | 27.94 | 0.090 | 2.29 | 0.910 | 23.11 | POLY BAGS | - | NO | |
| 73698-XXYH | 1.100 | 27.94 | 0.120 | 3.05 | 0.880 | 22.35 | POLY BAGS | - | NO | |
| 74464-XXYH | 1.028 | 26.11 | 0.610 | 15.49 | 0.318 | 8.08 | POLY BAGS | - | NO | |
| 78240-YYY | 0.663 | 16.84 | 0.333 | 8.46 | 0.230 | 5.84 | POLY BAGS | - | NO | |
| 78287-YYY | 0.678 | 17.22 | 0.120 | 3.05 | 0.458 | 11.63 | POLY BAGS | - | NO | |
| 78290-YYY | 1.250 | 31.75 | 0.500 | 12.70 | 0.650 | 16.51 | POLY BAGS | - | NO | |
| 78511-YYY | 0.538 | 13.67 | 0.120 | 3.05 | 0.318 | 8.08 | POLY BAGS/TUBES | - | YES | |
| 78595-YYY | | | NOT AVAILABLE | | | | | - | - | |
| 78931-YYY | | | NOT AVAILABLE | | | | | - | - | |
| 78958-YYY | | | NOT AVAILABLE | | | | | - | - | |
| 78959-YYY | | | NOT AVAILABLE | | | | | - | - | |
| 78977-YYY | | | NOT AVAILABLE | | | | | - | - | |
| 78998-YYY | 0.430 | 10.92 | 0.155 | 3.94 | 0.175 | 4.45 | POLY BAGS | - | NO | |
| 78999-YYY | | | NOT AVAILABLE | | | | | - | - | |
| 79428-YYY | 0.695 | 17.65 | 0.120 | 3.05 | 0.475 | 12.07 | POLY BAGS | - | NO | |
| 79849-YYY | 0.620 | 15.75 | 0.120 | 3.05 | 0.400 | 10.16 | POLY BAGS | - | NO | |



FCIconnect.com

Copyright FCI

| | | | | | | | | | |
|--------------------------------|----------------|---------------------------------------|--|----------------------------------|--|-----------------|--|-------------------------------|--|
| mat'l. code SEE NOTES 2 & 3 | | surface ISO 1302 ✓ | | tolerance ISO 406 ISO 1101 | | projection ⊕ | | product family BERGSTIK | |
| ltr ecn no dr date | | tolerances unless otherwise specified | | angles linear | | INCH/MM | | title | |
| CN | | .XX±.01/0.3 | | 0°±2' | | scale 1:1 | | BERGSTIK® II HEADER | |
| | | .XXX±.005/0.13 | | | | | | .100/2.54cc SR STRAIGHT | |
| | | .XXX±.0020/0.051 | | | | | | dwg no sheet 6 of 8 size | |
| | | dr T.BREWBAKER 01/05/95 | | | | FCI | | 68000 A3 | |
| | | enr T.HANNA 01/05/95 | | | | | | type Product Customer Drawing | |
| | | chr J.MURPHY 01/05/95 | | | | | | | |
| | | appd T.HANNA 01/05/95 | | | | | | | |
| sheet index | revision sheet | | | | | | | | |

| PRODUCT NUMBER | TOTAL PIN LGTH | | TAIL LENGTH | | MATING LENGTH | | PACKAGING | NOTES | BERGSTRIPTM AVAILABLE | LF OPTION |
|----------------|----------------|---------------|-------------|--------|---------------|--------|-----------|---------|--------------------------|--------------|
| | DIM F | DIM F | DIM G | DIM G | DIM H | DIM H | | | | |
| | ENGLISH | METRIC | ENGLISH | METRIC | ENGLISH | METRIC | | | | |
| 84918-XYH | 0.340 | 8.64 | 0.120 | 3.05 | 0.120 | 3.05 | POLY BAGS | - | YES | NOTE 1,12 |
| 84921-XYH | 0.370 | 9.40 | 0.150 | 3.81 | 0.120 | 3.05 | POLY BAGS | - | YES | |
| 86506-XY | 0.440 | 11.18 | 0.120 | 3.05 | 0.220 | 5.59 | POLY BAGS | - | YES | |
| 86579-XY | 0.450 | 11.43 | 0.120 | 3.05 | 0.230 | 5.84 | POLY BAGS | NOTE 9 | NO | |
| 86634-XY | | NOT AVAILABLE | | | | | | - | - | |
| 86635-XY | | NOT AVAILABLE | | | | | | - | - | |
| 86636-XY | | NOT AVAILABLE | | | | | | - | - | |
| 86637-XY | | NOT AVAILABLE | | | | | | - | - | |
| 86638-XY | | NOT AVAILABLE | | | | | | - | - | |
| 86793-XY | 0.900 | 22.86 | 0.100 | 2.54 | 0.700 | 17.78 | POLY BAGS | NOTE 10 | NO | |
| 86899-XY | 1.020 | 25.91 | 0.120 | 3.05 | 0.800 | 20.32 | POLY BAGS | - | NO | |
| 87185-XY | 1.238 | 31.45 | 0.095 | 2.41 | 1.043 | 26.49 | POLY BAGS | NOTE 10 | NO | |
| 87204-XY | 0.895 | 22.73 | 0.120 | 3.05 | 0.675 | 17.15 | POLY BAGS | - | NO | |
| 87241-XY | 1.000 | 25.40 | 0.120 | 3.05 | 0.780 | 19.81 | POLY BAGS | - | NO | |
| 87502-XYH | 1.130 | 28.70 | 0.110 | 2.79 | 0.920 | 23.37 | POLY BAGS | - | NO | |
| 87827-XY | 0.380 | 9.65 | 0.120 | 3.05 | 0.160 | 4.06 | POLY BAGS | - | NO | |
| 87916-XY | 1.058 | 26.87 | 0.128 | 3.25 | 0.830 | 21.08 | POLY BAGS | - | NO | |
| 88005-XY | 0.536 | 13.61 | 0.095 | 2.41 | 0.341 | 8.66 | POLY BAGS | NOTE 10 | NO | |
| 88706-XY | 0.900 | 22.86 | 0.100 | 2.54 | 0.700 | 17.78 | POLY BAGS | - | NO | |
| 89232-XY | 0.325 | 8.26 | 0.000 | 0.00 | 0.230 | 5.84 | POLY BAGS | NOTE 7 | NO | |



FCJconnect.com

Copyright FCJ

| | | | | | | | | | |
|--------------------------------|--|---------------------------------------|--|----------------------------------|--|-----------------|--|-------------------------------|--|
| mat'l. code SEE NOTES 2 & 3 | | surface ISO 1302 ✓ | | tolerance ISO 406 ISO 1101 | | projection ⊕ | | product family BERGSTIK | |
| ltr ecn no dr date | | tolerances unless otherwise specified | | linear .XX±.01/0.3 | | INCH/MM | | title BERGSTIK® II HEADER | |
| CN | | 0'±2' | | .XXX±.005/0.13 | | scale 1:1 | | .100/2.54cc SR STRAIGHT | |
| | | | | .XXX±.0020/0.051 | | FCJ | | dwg no 68000 | |
| | | | | dr T.BREWBAKER 01/05/95 | | | | sheet 7 of 8 size A3 | |
| | | | | enr T.HANNA 01/05/95 | | | | type Product Customer Drawing | |
| | | | | chr J.MURPHY 01/05/95 | | | | | |
| | | | | appd T.HANNA 01/05/95 | | | | | |
| sheet index | | revision sheet | | | | | | | |

form: A3

| PRODUCT NUMBER | TOTAL PIN LGTH | | TAIL LENGTH | | MATING LENGTH | | PACKAGING | NOTES | BERGSTRIPTM AVAILABLE | LF OPTION |
|----------------|----------------|--------|-------------|--------|---------------|--------|-----------|---------|--------------------------|--------------|
| | DIM F | DIM F | DIM G | DIM G | DIM H | DIM H | | | | |
| | ENGLISH | METRIC | ENGLISH | METRIC | ENGLISH | METRIC | | | | |
| 90522-YYY | 0.668 | 16.97 | 0.135 | 3.43 | 0.433 | 11.00 | POLY BAGS | NOTE 10 | NO | NOTE 1,12 |
| 90547-YYY | 0.508 | 12.90 | 0.095 | 2.41 | 0.313 | 7.95 | POLY BAGS | NOTE 10 | NO | |
| 90719-YYY | 0.384 | 9.75 | 0.106 | 2.69 | 0.178 | 4.52 | POLY BAGS | - | NO | |
| 90726-YYY | 0.440 | 11.18 | 0.110 | 2.79 | 0.230 | 5.84 | POLY BAGS | - | YES | |
| 91276-YYY | 1.225 | 31.12 | 0.225 | 5.72 | 0.900 | 22.86 | POLY BAGS | - | NO | |
| 92020-YYY | 0.372 | 9.45 | 0.094 | 2.39 | 0.178 | 4.52 | POLY BAGS | - | NO | |
| 92418-YYY | 0.572 | 14.53 | 0.118 | 3.00 | 0.354 | 8.99 | POLY BAGS | - | NO | |
| 93167-YYY | 0.394 | 10.01 | 0.059 | 1.50 | 0.235 | 5.97 | POLY BAGS | - | NO | |
| 93287-XYHH | 0.585 | 14.86 | 0.085 | 2.16 | 0.400 | 10.16 | POLY BAGS | - | NO | |
| 93944-YYY | 0.941 | 23.90 | 0.130 | 3.30 | 0.711 | 18.06 | POLY BAGS | - | NO | |
| 93992-XYHH | 0.415 | 10.54 | 0.085 | 2.16 | 0.230 | 5.84 | POLY BAGS | - | NO | |
| 94063-YYY | 0.376 | 9.55 | 0.138 | 3.51 | 0.138 | 3.51 | POLY BAGS | NOTE 10 | NO | |
| 94094-YYY | 0.592 | 15.04 | 0.314 | 7.98 | 0.178 | 4.52 | POLY BAGS | - | NO | |
| 94544-YYY | 0.550 | 13.97 | 0.130 | 3.30 | 0.330 | 8.38 | POLY BAGS | NOTE 10 | NO | |
| 94611-XYHH | 0.320 | 8.13 | 0.095 | 2.41 | 0.125 | 3.18 | POLY BAGS | - | NO | |
| 95017-XYHH | 0.560 | 14.22 | 0.060 | 1.52 | 0.400 | 10.16 | POLY BAGS | - | NO | |
| 95103-YYY | 1.064 | 27.03 | 0.433 | 11.00 | 0.531 | 13.49 | POLY BAGS | NOTE 10 | NO | |
| 95104-YYY | 0.370 | 9.40 | 0.126 | 3.20 | 0.144 | 3.66 | POLY BAGS | NOTE 10 | NO | |
| 95648-XYHH | 0.655 | 16.64 | 0.155 | 3.94 | 0.400 | 10.16 | POLY BAGS | - | NO | |
| 95655-YYY | 1.164 | 29.57 | 0.095 | 2.41 | 0.969 | 24.61 | POLY BAGS | NOTE 10 | NO | |
| 98001-XYHH | 0.610 | 15.49 | 0.420 | 10.67 | 0.090 | 2.29 | POLY BAGS | - | NO | |
| 98136-XYHH | 0.475 | 12.07 | 0.095 | 2.41 | 0.280 | 7.11 | POLY BAGS | - | NO | |
| 10004394-XYHH | 0.290 | 7.37 | 0.095 | 2.41 | 0.095 | 2.41 | POLY BAGS | - | NO | |



FCJconnect.com

Copyright FCJ

| | | | | | |
|--------------------------------|----------------|-----------------------|----------------------------------|----------------|---------------------------------------|
| mat'l. code SEE NOTES 2 & 3 | | surface ISO 1302 ✓ | tolerance ISO 406 ISO 1101 | projection | product family BERGSTIK |
| ltr | ecn | no | dr | date | tolerances unless otherwise specified |
| CN | | | | | angles linear .XX±.01/0.3 |
| | | | | | 0'±2' .XXX±.005/0.13 |
| | | | | | .XXX±.0020/0.051 |
| | | | dr | T.BREWBAKER | 01/05/95 |
| | | | enr | T.HANNA | 01/05/95 |
| | | | chr | J.MURPHY | 01/05/95 |
| | | | appd | T.HANNA | 01/05/95 |
| sheet index | revision sheet | | | | |



title
BERGSTIK® II HEADER
.100/2.54cc SR STRAIGHT

scale 1:1

dwg no 68000 sheet 8 of 8 size A3

type Product Customer Drawing

form: A3