

SPECIFICATIONS

Header Connector

Mechanical

Contact Retention Force: 0.91Kgf Min.

HL60 Series

Vertical, T/H Type

Plug

2.00 [".079"] Pitch

Electrical

Voltage Rating: 150V

Current Rating: 2.0A Max. per pin

Dielectric Withstanding Voltage: 500V AC

Insulation Resistance: 1000 M Ω Min.

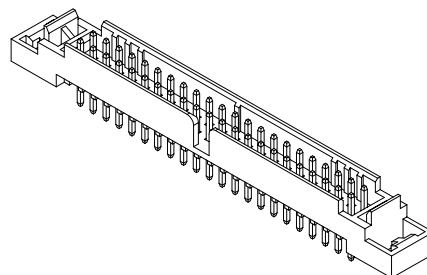
Physical

Housing: Thermoplastic, UL 94V-0 rating in black color

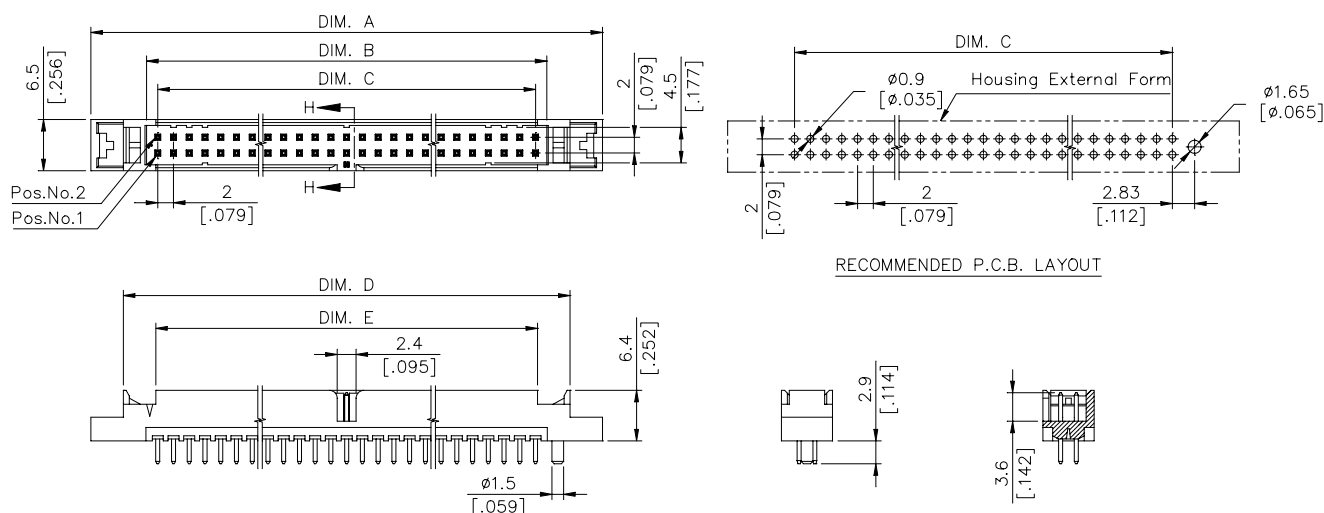
Contact: Brass

Plating: See "ORDERING INFORMATION"

Operating Temperature: -40 to +85

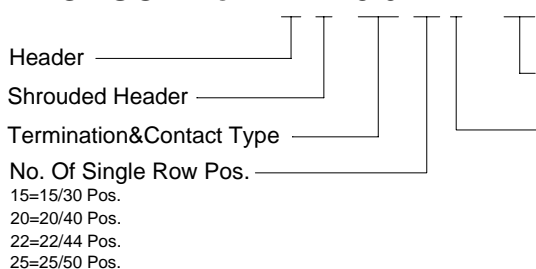


DRAWING



ORDERING INFORMATION

PRODUCT No. : HL 60 *** - **



P/N	POS.	DIM. A	DIM. B	DIM. C	DIM. D	DIM. E
HL6025*-**	25/50	65	50.85	48	56.65	48.5
		[2.561]	[2.003]	[1.891]	[2.232]	[1.911]
HL6022*-**	22/44	59	44.85	42	50.65	42.5
		[2.325]	[1.767]	[1.655]	[1.996]	[1.675]
HL6020*-**	20/40	55	40.85	38	46.65	38.5
		[2.167]	[1.609]	[1.497]	[1.838]	[1.517]
HL6015*-**	15/30	45	30.85	28	36.65	28.5
		[1.773]	[1.215]	[1.103]	[1.444]	[1.123]