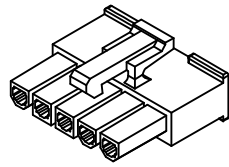
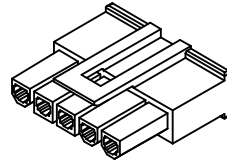


OPTIONAL ENGINEERING NUMBER LOCATION

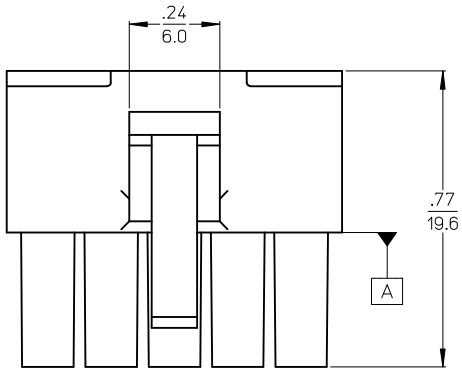


POSITIVE LATCH SCALE 2:1

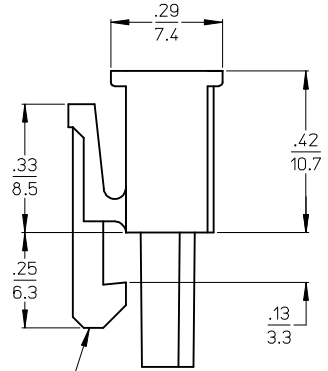


PASSIVE LATCH SCALE 2:1

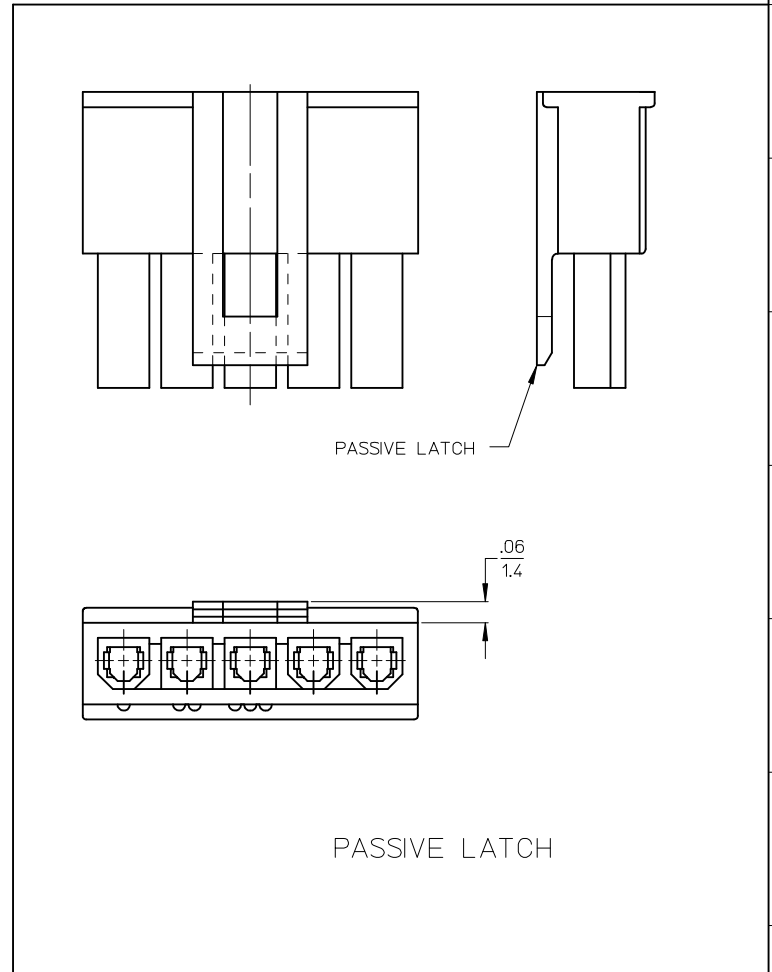
MATERIAL NUMBER	ENGINEERING NUMBER	TOOL STATUS	CKT SIZE	LATCH STYLE	DIM A
50-36-1746	5557-04R2-225	TOOLED	4	POSITIVE	.709/(18.00)
50-36-1682	5557-05R2-225	TOOLED	5	POSITIVE	.874/(22.20)
50-36-1666	5557-05R4-225	TOOLED	5	PASSIVE	.874/(22.20)
50-36-2491	5557-06R2-225	NOT TOOLED	6	POSITIVE	1.039/(26.40)
50-36-2324	5557-07R2-225	NOT TOOLED	7	POSITIVE	1.205/(30.60)
50-36-2288	5557-10R2-225	TOOLED	10	POSITIVE	1.701/(43.20)



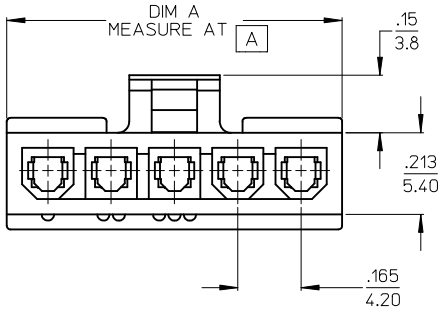
POSITIVE LATCH



PASSIVE LATCH



PASSIVE LATCH



LEGEND:

- 5557-**R*-225
- CIRCUIT SIZE
- RECEPTACLE
R2= SINGLE ROW, POSITIVE LATCH
R4= SINGLE ROW, PASSIVE LATCH
- MATERIAL
SEE NOTE 1

NOTES:
 1) MATERIAL:
 225 = NYLON (PA6), UL94V-0, COLOR: BLACK; IEC 60335-1, 4th EDITION GLOW WIRE CAPABLE.

- 2) FINISH: NOT APPLICABLE
- 3) PRODUCT SPECIFICATION: PS-5556-001
- 4) PACKAGING: BULK
- 5) PART MATES WITH MOLEX PLUG #5559 AND HEADERS #5566 AND #5569.
- 6) PART TO BE USED WITH MOLEX FEMALE TERMINAL #5556.
- 7) PART IS NOT DESIGNED FOR CURRENT SHARING.
- 8) CONNECTORS ARE NOT TO BE MATED OR UNMATED WHILE CIRCUITS ARE LIVE.
- 9) WIRES ARE TO BE DRESSED IN SUCH A MANNER TO ALLOW THE TERMINALS TO FLOAT FREELY IN THE POCKET.
- 10) PART CONFORMS TO CLASS "B" REQUIREMENTS OF COSMETIC SPECIFICATION PS-45499-002 WITH THE EXCEPTION OF DISCOLORATION, FLASH AND SINK MEET CLASS "C" REQUIREMENTS.

ADD P/N TO CHART EC NO: UCP2010-0295 DRAWN:TBENES 2009/08/03 CHKD:JBELL 2009/08/03 APPR:FSMITH 2009/08/03	DESCRIPTION	QUALITY SYMBOLS
		$\nabla=0$ $\nabla=0$
REV A2		

GENERAL TOLERANCES (UNLESS SPECIFIED)															
<table border="1"> <tr> <th></th> <th>mm</th> <th>INCH</th> </tr> <tr> <td>4 PLACES ±</td> <td>---</td> <td>---</td> </tr> <tr> <td>3 PLACES ±</td> <td>---</td> <td>±.010</td> </tr> <tr> <td>2 PLACES ±</td> <td>.25</td> <td>±.015</td> </tr> <tr> <td>1 PLACE ±</td> <td>.38</td> <td>±---</td> </tr> </table>		mm	INCH	4 PLACES ±	---	---	3 PLACES ±	---	±.010	2 PLACES ±	.25	±.015	1 PLACE ±	.38	±---
	mm	INCH													
4 PLACES ±	---	---													
3 PLACES ±	---	±.010													
2 PLACES ±	.25	±.015													
1 PLACE ±	.38	±---													
ANGULAR ±1/2°															
DRAFT WHERE APPLICABLE MUST REMAIN WITHIN DIMENSIONS															

DIMENSION STYLE IN/MM	
DRAWN BY LSCHMIDT	DATE 2007/06/28
CHECKED BY ADERR	DATE 2007/07/02
APPROVED BY FSMI THROEMER	DATE 2007/07/06
MATERIAL NO. SEE CHART	
SIZE C	

SCALE METRIC	DESIGN UNITS METRIC	THIRD ANGLE PROJECTION
TITLE MINI-FIT JR. RECEPTACLE SINGLE ROW GLOW WIRE		
MOLEX MOLEX INCORPORATED		
DOCUMENT NO. SD-5557-525		SHEET NO. 1 OF 1
THIS DRAWING CONTAINS INFORMATION THAT IS PROPRIETARY TO MOLEX INCORPORATED AND SHOULD NOT BE USED WITHOUT WRITTEN PERMISSION		