

**SN54192, SN54193, SN54LS192 SN54LS193,  
SN74192, SN74193, SN74LS192, SN74LS193**  
**SYNCHRONOUS 4-BIT UP/DOWN COUNTERS (DUAL CLOCK WITH CLEAR)**

DECEMBER 1972 -- REVISED MARCH 1988

- Cascading Circuitry Provided Internally
- Synchronous Operation
- Individual Preset to Each Flip-Flop
- Fully Independent Clear Input

SN54192, SN54193, SN54LS192,  
SN54LS193 . . . J OR W PACKAGE  
SN74192, SN74193 . . . N PACKAGE  
SN74LS192, SN74LS193 . . . D OR N PACKAGE

TYPES	TYPICAL MAXIMUM COUNT FREQUENCY	TYPICAL POWER DISSIPATION
'192, '193	32 MHz	325 mW
'LS192, 'LS193	32 MHz	95 mW

**description**

These monolithic circuits are synchronous reversible (up/down) counters having a complexity of 55 equivalent gates. The '192 and 'LS192 circuits are BCD counters and the '193 and 'LS193 are 4-bit binary counters. Synchronous operation is provided by having all flip-flops clocked simultaneously so that the outputs change coincidentally with each other when so instructed by the steering logic. This mode of operation eliminates the output counting spikes which are normally associated with asynchronous (ripple-clock) counters.

The outputs of the four master-slave flip-flops are triggered by a low-to-high-level transition of either count (clock) input. The direction of counting is determined by which count input is pulsed while the other count input is high.

All four counters are fully programmable; that is, each output may be preset to either level by entering the desired data at the data inputs while the load input is low. The output will change to agree with the data inputs independently of the count pulses. This feature allows the counters to be used as modulo-N dividers by simply modifying the count length with the preset inputs.

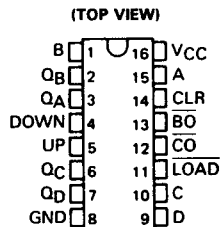
A clear input has been provided which forces all outputs to the low level when a high level is applied. The clear function is independent of the count and load inputs. The clear, count, and load inputs are buffered to lower the drive requirements. This reduces the number of clock drivers, etc., required for long words.

These counters were designed to be cascaded without the need for external circuitry. Both borrow and carry outputs are available to cascade both the up- and down-counting functions. The borrow output produces a pulse equal in width to the count-down input when the counter underflows. Similarly, the carry output produces a pulse equal in width to the count-up input when an overflow condition exists. The counters can then be easily cascaded by feeding the borrow and carry outputs to the count-down and count-up inputs respectively of the succeeding counter.

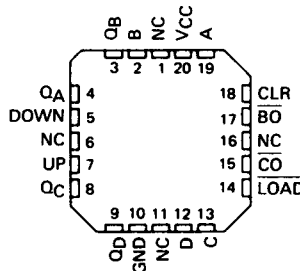
**absolute maximum ratings over operating free-air temperature range (unless otherwise noted)**

	SN54'	SN54LS'	SN74'	SN74LS'	UNIT
Supply voltage, $V_{CC}$ (see Note 1)	7	7	7	7	V
Input voltage	5.5	7	5.5	7	V
Operating free-air temperature range	-55 to 125		0 to 70		°C
Storage temperature range	-65 to 150		-65 to 150		°C

NOTE 1: Voltage values are with respect to network ground terminal.



SN54LS192, SN54LS193 . . . FK PACKAGE  
(TOP VIEW)



NC - No internal connection

2

TTL Devices

PRODUCTION DATA documents contain information current as of publication date. Products conform to specifications per the terms of Texas Instruments standard warranty. Production processing does not necessarily include testing of all parameters.

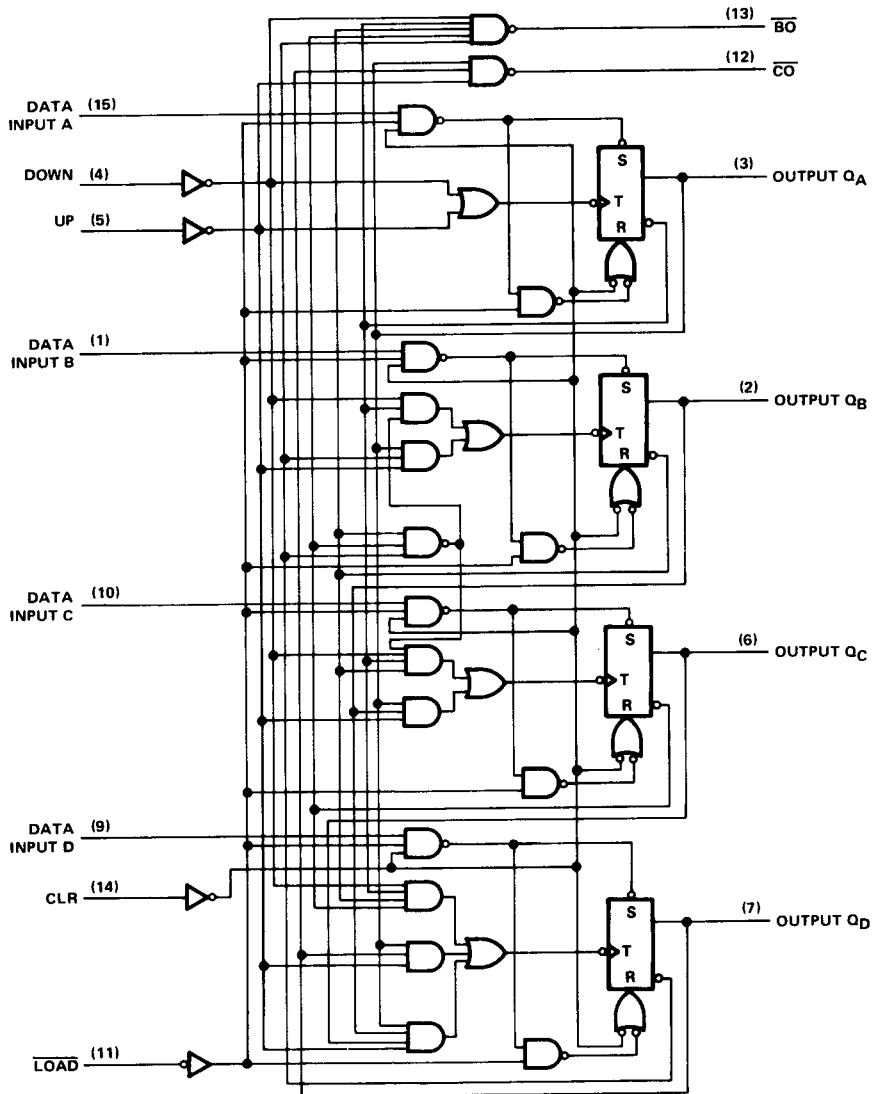


POST OFFICE BOX 655012 • DALLAS, TEXAS 75285

2-633

**SN54192, SN54LS192, SN74192, SN74LS192**  
**SYNCHRONOUS 4-BIT UP/DOWN COUNTERS (DUAL CLOCK WITH CLEAR)**

logic diagram (positive logic)



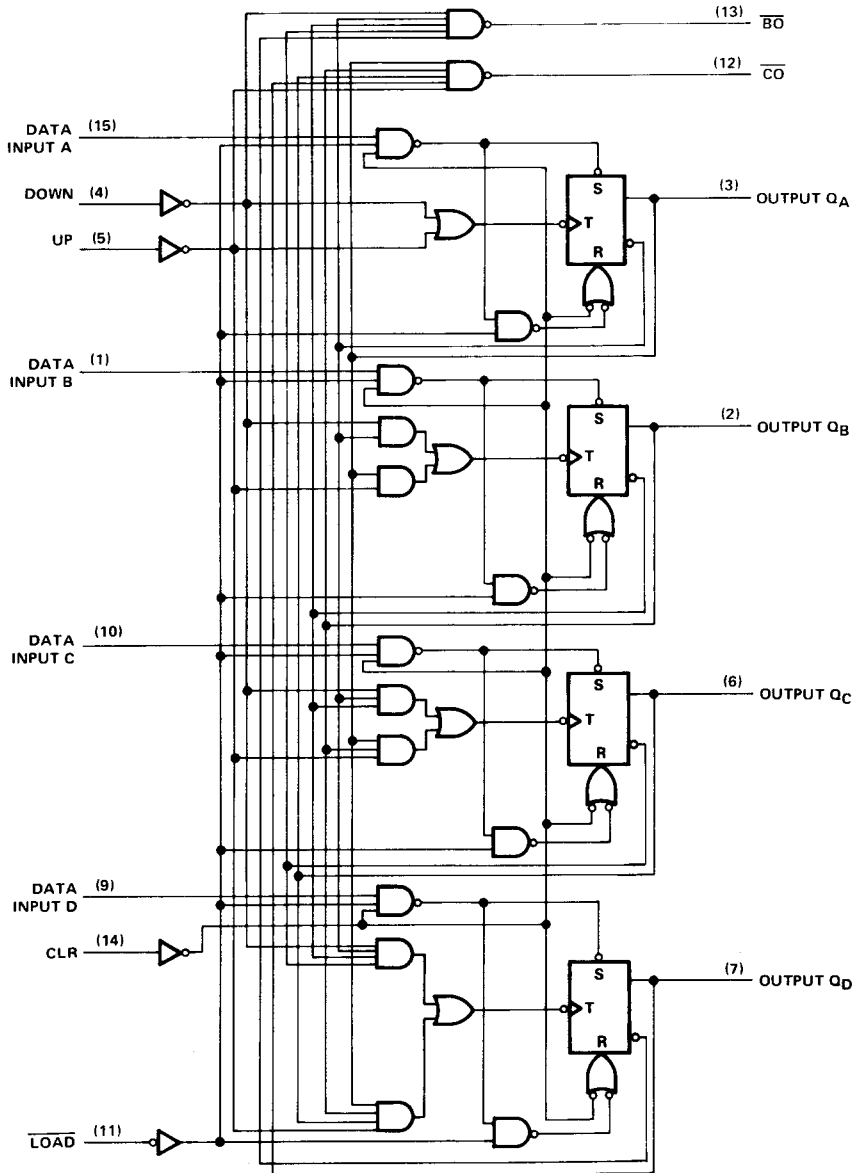
Pin numbers shown are for D, J, N, and W packages.

2

TTL Devices

SN54193, SN54LS193, SN74193, SN74LS193  
 SYNCHRONOUS 4-BIT UP/DOWN COUNTERS (DUAL CLOCK WITH CLEAR)

logic diagram (positive logic)



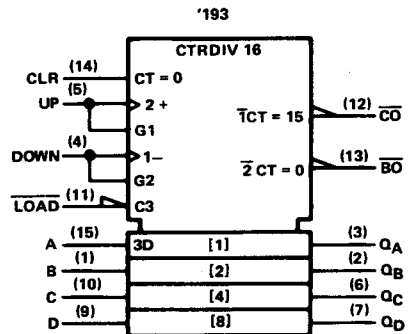
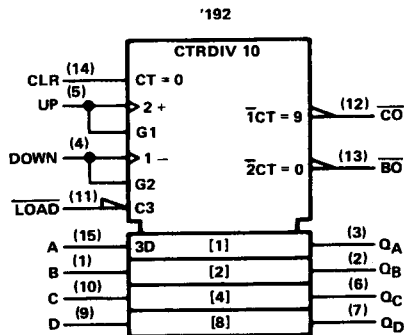
Pin numbers shown are for D, J, N, and W packages.

2

TTL Devices

**SN54192, SN54193, SN54LS192, SN54LS193  
SN74192, SN74193, SN74LS192, SN74LS193  
SYNCHRONOUS 4-BIT UP/DOWN COUNTERS (DUAL CLOCK WITH CLEAR)**

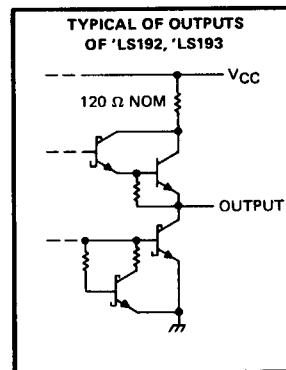
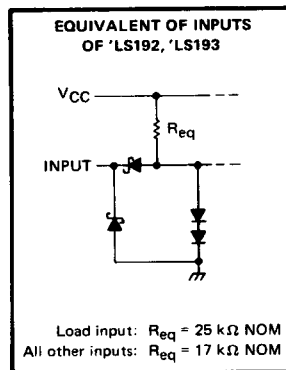
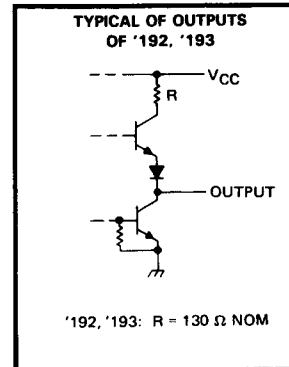
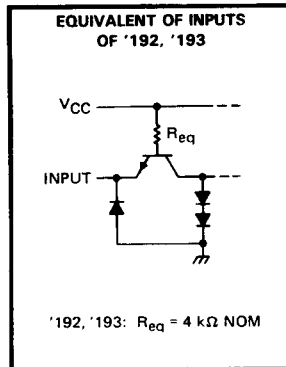
logic symbols†



†These symbols are in accordance with ANSI/IEEE Std. 91-1984 and IEC Publication 617-12. Pin numbers shown are for D, J, N, and W packages.

schematics of inputs and outputs

2  
TTL Devices



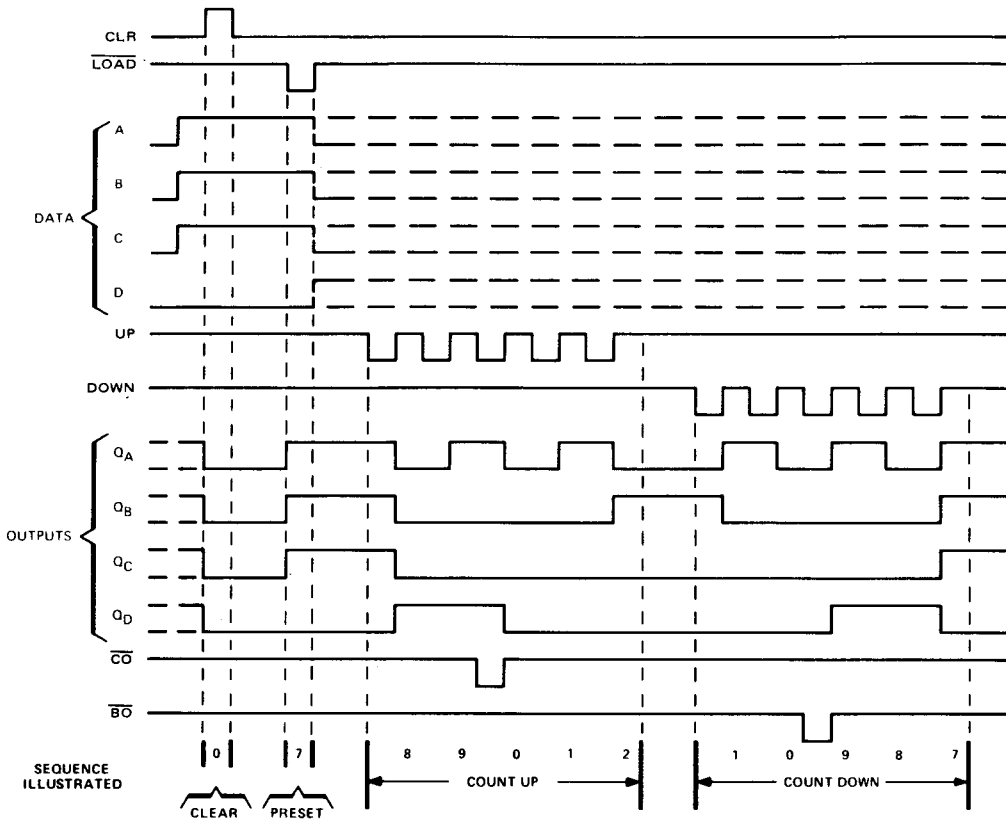
**SN54192, SN54LS192, SN74192, SN74LS192  
SYNCHRONOUS 4-BIT UP/DOWN COUNTERS (DUAL CLOCK WITH CLEAR)**

**'192, 'LS192 DECADE COUNTERS**

**typical clear, load, and count sequences**

Illustrated below is the following sequence:

1. Clear outputs to zero.
2. Load (preset) to BCD seven.
3. Count up to eight, nine, carry, zero, one, and two.
4. Count down to one, zero, borrow, nine, eight, and seven.



**2**

**TTL Devices**

- NOTES:**
- A. Clear overrides load, data, and count inputs.
  - B. When counting up, count-down input must be high; when counting down, count-up input must be high.

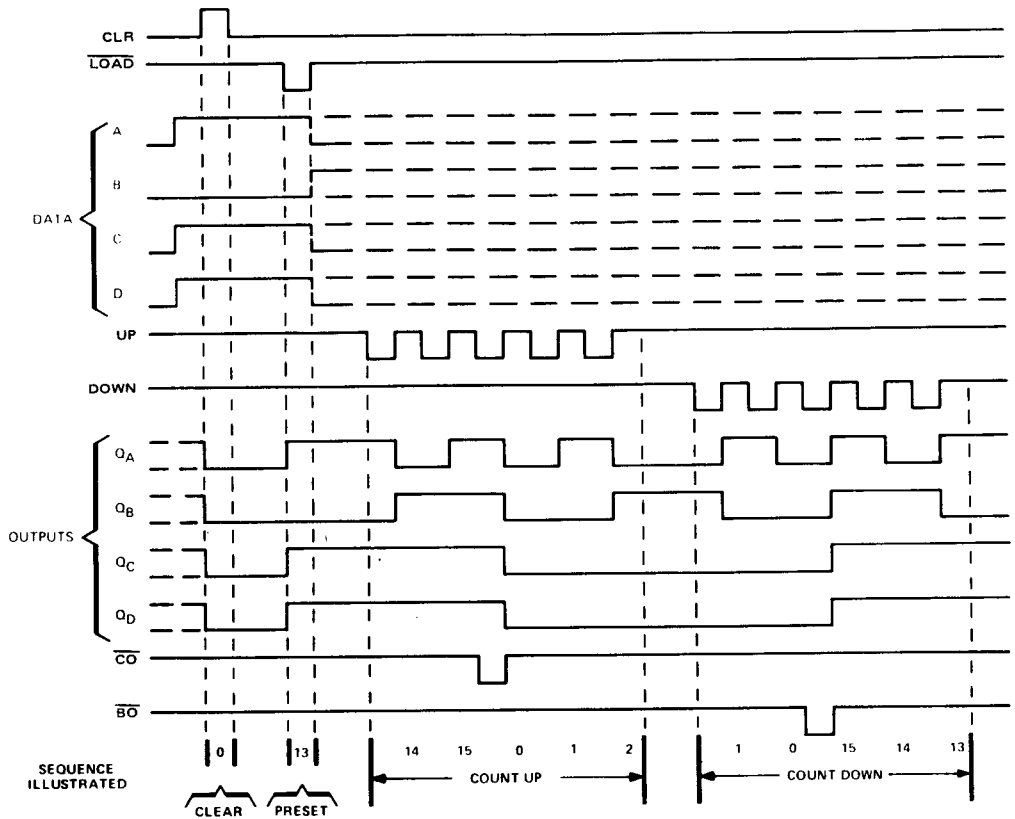
**SN54193, SN54LS193, SN74193, SN74LS193**  
**SYNCHRONOUS 4-BIT UP/DOWN COUNTERS (DUAL CLOCK WITH CLEAR)**

**'193, 'LS193 BINARY COUNTERS**

**typical clear, load, and count sequences**

Illustrated below is the following sequence:

1. Clear outputs to zero.
2. Load (preset) to binary thirteen.
3. Count up to fourteen, fifteen, carry, zero, one, and two.
4. Count down to one, zero, borrow, fifteen, fourteen, and thirteen.



- NOTES:**
- A. Clear overrides load, data, and count inputs.
  - B. When counting up, count-down input must be high; when counting down, count-up input must be high.

# SN54192, SN54193, SN74192, SN74193

## SYNCHRONOUS 4-BIT UP/DOWN COUNTERS (DUAL CLOCK WITH CLEAR)

### recommended operating conditions

		SN54192 SN54193			SN74192 SN74193			UNIT
		MIN	NOM	MAX	MIN	NOM	MAX	
V <sub>CC</sub>	Supply voltage	4.5	5	5.5	4.75	5	5.25	V
I <sub>OH</sub>	High-level output current			-0.4			-0.4	mA
I <sub>OL</sub>	Low-level output current			16			16	mA
f <sub>clock</sub>	Clock frequency	0		25	0		25	MHz
t <sub>w</sub>	Width of any input pulse	20			20			ns
t <sub>su</sub>	Data setup time, (see Figure 1)	20			20			ns
t <sub>h</sub>	Hold time	Data, high or low		0	0		ns	
		LOAD		3	3			
T <sub>A</sub>	Operating free-air temperature	-55		125	0		70	°C

### electrical characteristics over recommended operating free-air temperature range (unless otherwise noted)

PARAMETER	TEST CONDITIONS†	SN54192 SN54193			SN74192 SN74193			UNIT		
		MIN	TYP‡	MAX	MIN	TYP‡	MAX			
V <sub>IH</sub>	High-level input voltage		2			2		V		
V <sub>IL</sub>	Low-level input voltage			0.8			0.8	V		
V <sub>IK</sub>	Input clamp voltage	V <sub>CC</sub> = MIN, I <sub>I</sub> = -12 mA		-1.5			-1.5	V		
V <sub>OH</sub>	High-level output voltage	V <sub>CC</sub> = MIN, V <sub>IH</sub> = 2 V, V <sub>IL</sub> = 0.8 V, I <sub>OH</sub> = -0.4 mA		2.4	3.4		2.4	3.4	V	
V <sub>OL</sub>	Low-level output voltage	V <sub>CC</sub> = MIN, V <sub>IH</sub> = 2 V, V <sub>IL</sub> = 0.8 V, I <sub>OL</sub> = 16 mA			0.2	0.4		0.2	0.4	V
I <sub>I</sub>	Input current at maximum input voltage	V <sub>CC</sub> = MAX, V <sub>I</sub> = 5.5 V			1			1	mA	
I <sub>IH</sub>	High-level input current	V <sub>CC</sub> = MAX, V <sub>I</sub> = 2.4 V			40			40	µA	
I <sub>IL</sub>	Low-level input current	V <sub>CC</sub> = MAX, V <sub>I</sub> = 0.4 V			-1.6			-1.6	mA	
I <sub>OS</sub>	Short-circuit output current§	V <sub>CC</sub> = MAX		-20	-65		-18	-65	mA	
I <sub>CC</sub>	Supply current	V <sub>CC</sub> = MAX, See Note 2			65	89		65	102	mA

† For conditions shown as MIN or MAX, use the appropriate value specified under recommended operating conditions for the applicable type.

‡ All typical values are at V<sub>CC</sub> = 5 V, T<sub>A</sub> = 25°C.

§ Not more than one output should be shorted at a time.

NOTE 2: I<sub>CC</sub> is measured with all outputs open, clear and load inputs grounded, and all other inputs at 4.5 V.

### switching characteristics, V<sub>CC</sub> = 5 V, T<sub>A</sub> = 25°C

PARAMETER¶	FROM INPUT	TO OUTPUT	TEST CONDITIONS	MIN	TYP	MAX	UNIT
f <sub>max</sub>			C <sub>L</sub> = 15 pF, R <sub>L</sub> = 400 Ω, See Figures 1 and 2	25	32		MHz
t <sub>PLH</sub>	UP	$\overline{CO}$			17	26	ns
t <sub>PHL</sub>					16	24	
t <sub>PLH</sub>	DOWN	$\overline{BO}$			16	24	ns
t <sub>PHL</sub>					16	24	
t <sub>PLH</sub>	UP OR DOWN	Q			25	38	ns
t <sub>PHL</sub>					31	47	
t <sub>PLH</sub>	$\overline{LOAD}$	Q			27	40	ns
t <sub>PHL</sub>					29	40	
t <sub>PHL</sub>	CLR	Q			22	35	ns

¶ f<sub>max</sub> = maximum clock frequency

t<sub>PLH</sub> = propagation delay time, low-to-high-level output

t<sub>PHL</sub> = propagation delay time, high-to-low-level output

# 2

## TTL Devices

# SN54LS192, SN54LS193, SN74LS192, SN74LS193

## SYNCHRONOUS 4-BIT UP/DOWN COUNTERS (DUAL CLOCK WITH CLEAR)

### recommended operating conditions

		SN54LS192 SN54LS193			SN74LS192 SN74LS193			UNIT
		MIN	NOM	MAX	MIN	NOM	MAX	
V <sub>CC</sub>	Supply voltage	4.5	5	5.5	4.75	5	5.25	V
I <sub>OH</sub>	High-level output current				-400			μA
I <sub>OL</sub>	Low-level output current				8			mA
f <sub>clock</sub>	Clock frequency	0	25		0	25		MHz
t <sub>w</sub>	Width of any input pulse	20			20			ns
t <sub>su</sub>	Clear inactive-state setup time	15			15			ns
	Load inactive-state setup time	15			15			ns
	Data setup time (see Figure 1)	20			20			ns
t <sub>h</sub>	Data hold time	5			5			ns
T <sub>A</sub>	Operating free-air temperature range	-55		125	0	70		°C

### electrical characteristics over recommended operating free-air temperature range (unless otherwise noted)

2

TTL Devices

PARAMETER	TEST CONDITIONS†	SN54LS192 SN54LS193			SN74LS192 SN74LS193			UNIT	
		MIN	TYP‡	MAX	MIN	TYP‡	MAX		
V <sub>IH</sub>	High-level input voltage	2			2			V	
V <sub>IL</sub>	Low-level input voltage				0.7			V	
V <sub>IK</sub>	Input clamp voltage	V <sub>CC</sub> = MIN, I <sub>I</sub> = -18 mA			-1.5			V	
V <sub>OH</sub>	High-level output voltage	V <sub>CC</sub> = MIN, V <sub>IH</sub> = 2 V, V <sub>IL</sub> = V <sub>IL</sub> max, I <sub>OH</sub> = -400 μA			2.5	3.4	2.7	3.4	V
V <sub>OL</sub>	Low-level output voltage	V <sub>CC</sub> = MIN, V <sub>IH</sub> = 2 V, V <sub>IL</sub> = V <sub>IL</sub> max			I <sub>OL</sub> = 4 mA I <sub>OL</sub> = 8 mA		0.15	0.4	V
I <sub>I</sub>	Input current at maximum input voltage	V <sub>CC</sub> = MAX, V <sub>I</sub> = 7 V			0.1			0.1	mA
I <sub>IH</sub>	High-level input current	V <sub>CC</sub> = MAX, V <sub>I</sub> = 2.7 V			20			20	μA
I <sub>IL</sub>	Low-level input current	V <sub>CC</sub> = MAX, V <sub>I</sub> = 0.4 V			-0.4			-0.4	mA
I <sub>OS</sub>	Short-circuit output current §	V <sub>CC</sub> = MAX			-20			-100	mA
I <sub>CC</sub>	Supply current	V <sub>CC</sub> = MAX, See Note 2			19	34	19	34	mA

† For conditions shown as MIN or MAX, use the appropriate value specified under recommended operating conditions for the applicable type.

‡ All typical values are at V<sub>CC</sub> = 5 V, T<sub>A</sub> = 25° C.

§ Not more than one output should be shorted at a time, and duration of the short-circuit should not exceed one second.

NOTE 2: I<sub>CC</sub> is measured with all outputs open, clear and load inputs grounded, and all other inputs at 4.5 V.

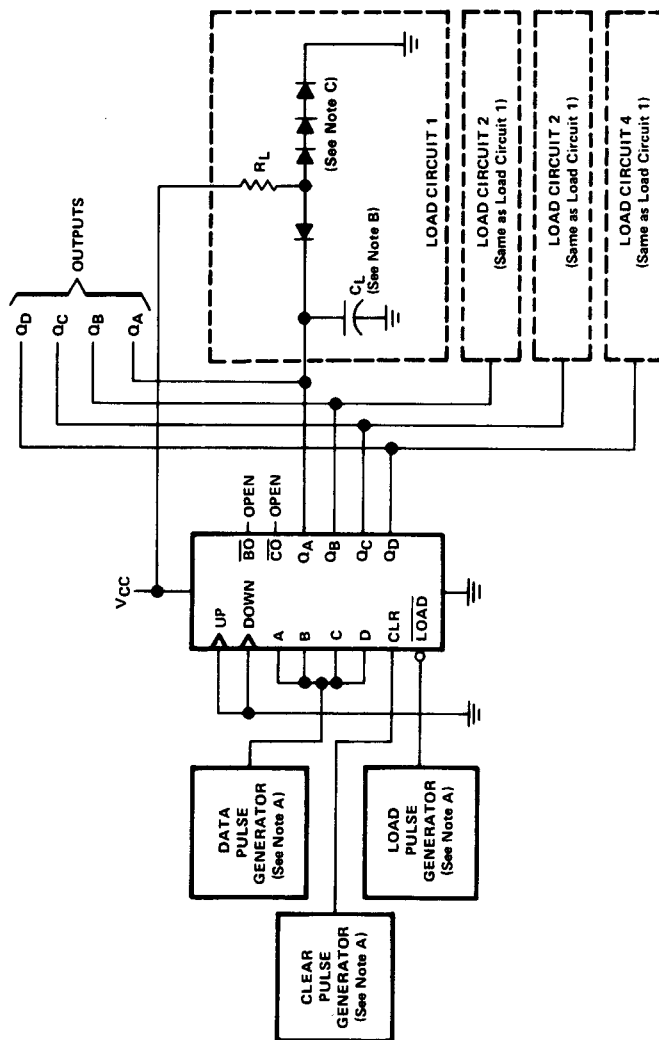
### switching characteristics, V<sub>CC</sub> = 5 V, T<sub>A</sub> = 25° C

PARAMETER	FROM INPUT	TO OUTPUT	TEST CONDITIONS	MIN	TYP	MAX	UNIT
f <sub>max</sub>			C <sub>L</sub> = 15 pF, R <sub>L</sub> = 2 kΩ, See Figures 1 and 2	25	32		MHz
t <sub>PLH</sub>	UP	C <sub>0</sub>		17	26		ns
t <sub>PHL</sub>				18	24		
t <sub>PLH</sub>	DOWN	B <sub>0</sub>		16	24		ns
t <sub>PHL</sub>				15	24		
t <sub>PLH</sub>	UP OR DOWN	Q		27	38		ns
t <sub>PHL</sub>				30	47		
t <sub>PLH</sub>	LOAD	Q		24	40		ns
t <sub>PHL</sub>				25	40		
t <sub>PHL</sub>	CLR	Q		23	35		ns



**SN54192, SN54193, SN54LS192, SN54LS193,  
SN74192, SN74193, SN74LS192, SN74LS193**  
**SYNCHRONOUS 4-BIT UP/DOWN COUNTERS (DUAL CLOCK WITH CLEAR)**

**PARAMETER MEASUREMENT INFORMATION**



**TEST CIRCUIT**

- NOTES: A. The pulse generators have the following characteristics:  $Z_{out} = 50 \Omega$  and for the data pulse generator  $PRR \leq 500 \text{ kHz}$ , duty cycle = 50%; for the load pulse generator  $PRR$  is two times data  $PRR$ , duty cycle = 50%.
- B.  $C_L$  includes probe and jig capacitance.
- C. Diodes are 1N3064 or equivalent.
- D.  $t_r$  and  $t_f \leq 7 \text{ ns}$ .
- E.  $V_{ref}$  is 1.5 V for '192 and '193, 1.3 V for 'LS192 and 'LS193.

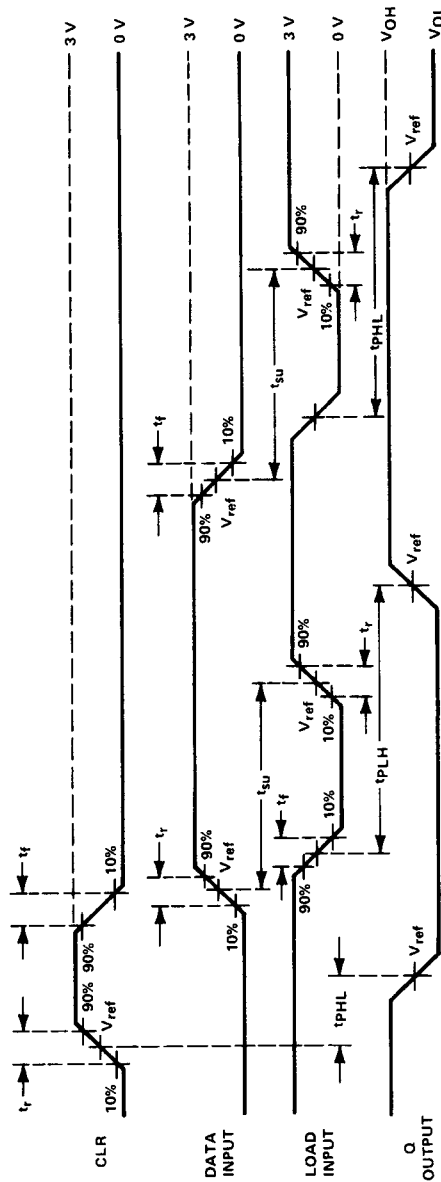
**FIGURE 1A — CLEAR, SETUP AND LOAD TIMES**

**SN54192, SN54193, SN54LS192, SN54LS193,  
SN74192, SN74193, SN74LS192, SN74LS193  
SYNCHRONOUS 4-BIT UP/DOWN COUNTERS (DUAL CLOCK WITH CLEAR)**

**PARAMETER MEASUREMENT INFORMATION**

**2**

**TTL Devices**



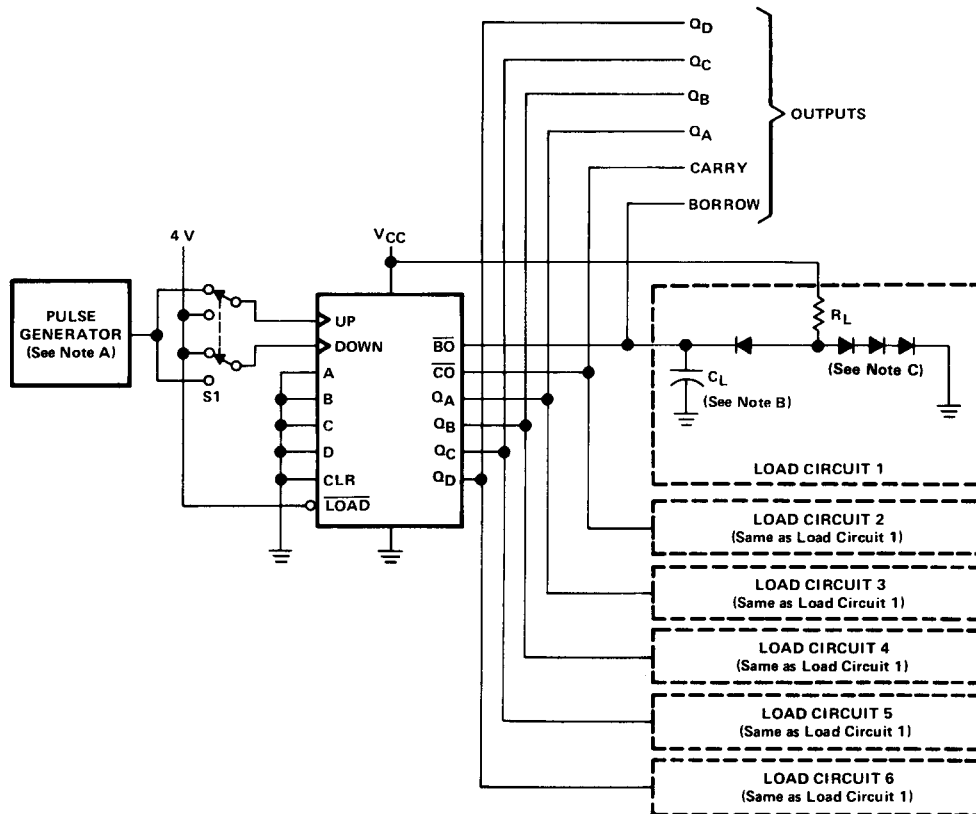
**VOLTAGE WAVEFORMS**

- NOTES:** A. The pulse generators have the following characteristics:  $Z_{out} \approx 50 \Omega$  and for the data pulse generator PRR  $\leq 500$  kHz, duty cycle = 50%; for the load pulse generator PRR is two times data PRR, duty cycle = 50%.  
 B.  $C_L$  includes probe and jig capacitance.  
 C. Diodes are 1N3064 or equivalent.  
 D.  $t_r$  and  $t_f \leq 7$  ns.  
 E.  $V_{ref}$  is 1.5 V for '192 and '193, 1.3 V for 'LS192 and 'LS193.

**FIGURE 1B - CLEAR, SETUP, AND LOAD TIMES**

**SN54192, SN54193, SN54LS192, SN54LS193,  
SN74192, SN74193, SN74LS192, SN74LS193  
SYNCHRONOUS 4-BIT UP/DOWN COUNTERS (DUAL CLOCK WITH CLEAR)**

**PARAMETER MEASUREMENT INFORMATION**



**TEST CIRCUIT**

- NOTES: A. The pulse generators have the following characteristics: PRR = 1 MHz,  $Z_{out} \approx 50 \Omega$ , duty cycle = 50%.  
 B.  $C_L$  includes probe and jig capacitance.  
 C. Diodes are 1N3064 or equivalent.  
 D. Count-up and count-down pulse shown are for the '193 and 'LS193 binary counters. Count cycle for '192 and 'LS192 decade counters is 1 through 10.  
 E. Waveforms for outputs  $Q_A$ ,  $Q_B$ , and  $Q_C$  are omitted to simplify the drawing.  
 F.  $t_r$  and  $t_f \leq 7$  ns.  
 G.  $V_{ref}$  is 1.5 V for '192 and '193, 1.3 V for 'LS192 and 'LS193.

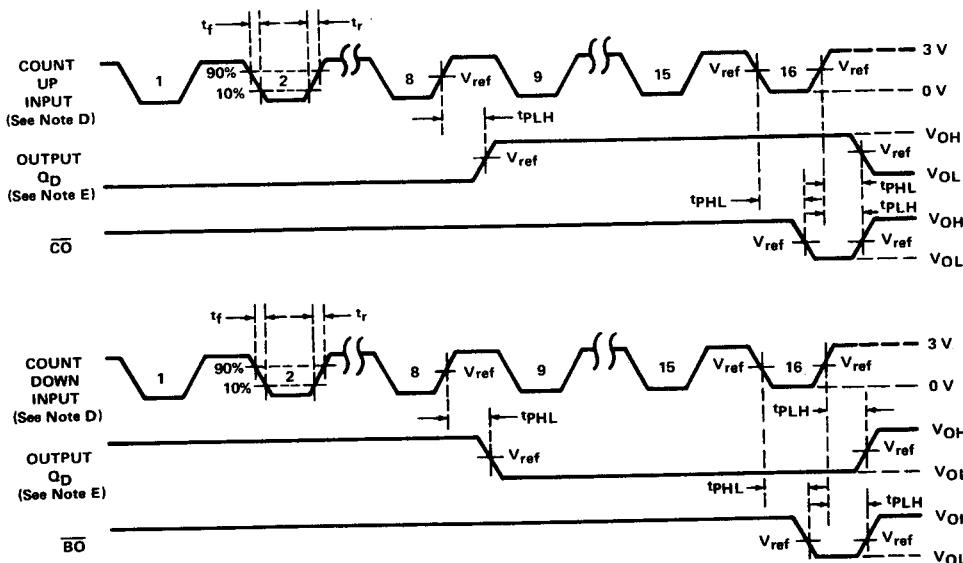
**FIGURE 2A – PROPAGATION DELAY TIMES**

**2**

**TTL Devices**

**SN54192, SN54193, SN54LS192, SN54LS193,  
SN74192, SN74193, SN74LS192, SN74LS193  
SYNCHRONOUS 4-BIT UP/DOWN COUNTERS (DUAL CLOCK WITH CLEAR)**

**PARAMETER MEASUREMENT INFORMATION**



**VOLTAGE WAVEFORMS**

- NOTES: A. The pulse generators have the following characteristics: PRR = 1 MHz,  $Z_{out} \approx 50 \Omega$ , duty cycle = 50%.  
 B.  $C_L$  includes probe and jig capacitance.  
 C. Diodes are 1N3064 or equivalent.  
 D. Count-up and count-down pulse shown are for the '193 and 'LS193 binary counters. Count cycle for '192 and 'LS192 decade counters is 1 through 10.  
 E. Waveforms for outputs  $Q_A$ ,  $Q_B$ , and  $Q_C$  are omitted to simplify the drawing.  
 F.  $t_r$  and  $t_f \leq 7$  ns.  
 G.  $V_{ref}$  is 1.5 V for '192 and '193, 1.3 V for 'LS192 and 'LS193.

**FIGURE 2B - PROPAGATION DELAY TIMES**