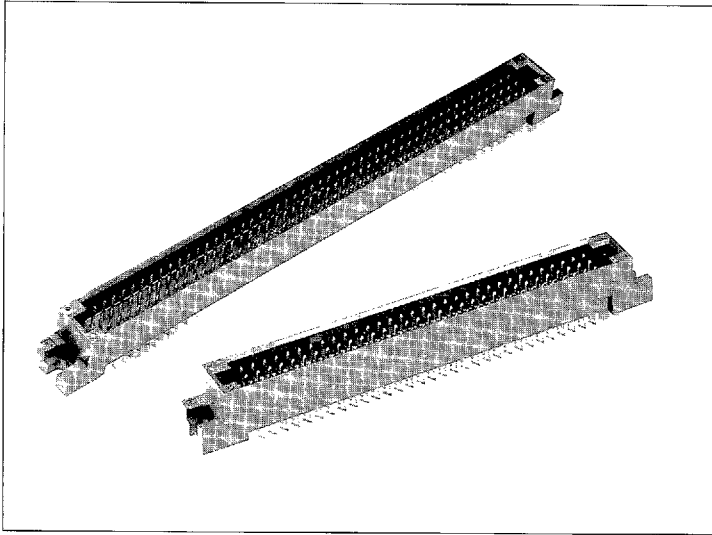


# DIN Connectors

## Guided DIN Vertical Plug

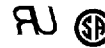


### MATERIAL AND PLATING

- HOUSING: Black Thermoplastic UL94 V-0
- CONTACTS: Copper alloy
- PLATING: B - .000030 (.00076) gold in contact area, tin lead on tails with .000050 (.00127) nickel underplate all over

### PERFORMANCE CHARACTERISTICS

- MATING AND GENERAL SPECIFICATIONS: PAGE 5
- DE-RATING CURVE: PAGE 7
- GUIDED DIN ALIGNMENT ANALYSIS: PAGE 64



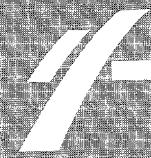
We developed the RPIG Series, Guided DIN, to mate safely when used in applications where alignment tolerances may exceed the norm. The RPIG Series features molded guides that more than double the permissible alignment tolerances specified in DIN 41612. The comparison below defines the additional alignment tolerances of the RPIG.

	Longitudinal Tolerance	Transversal Tolerance
Burndy's RPIG Series	.095"	.093"
DIN 41612 Style R/C	.039"	.039"

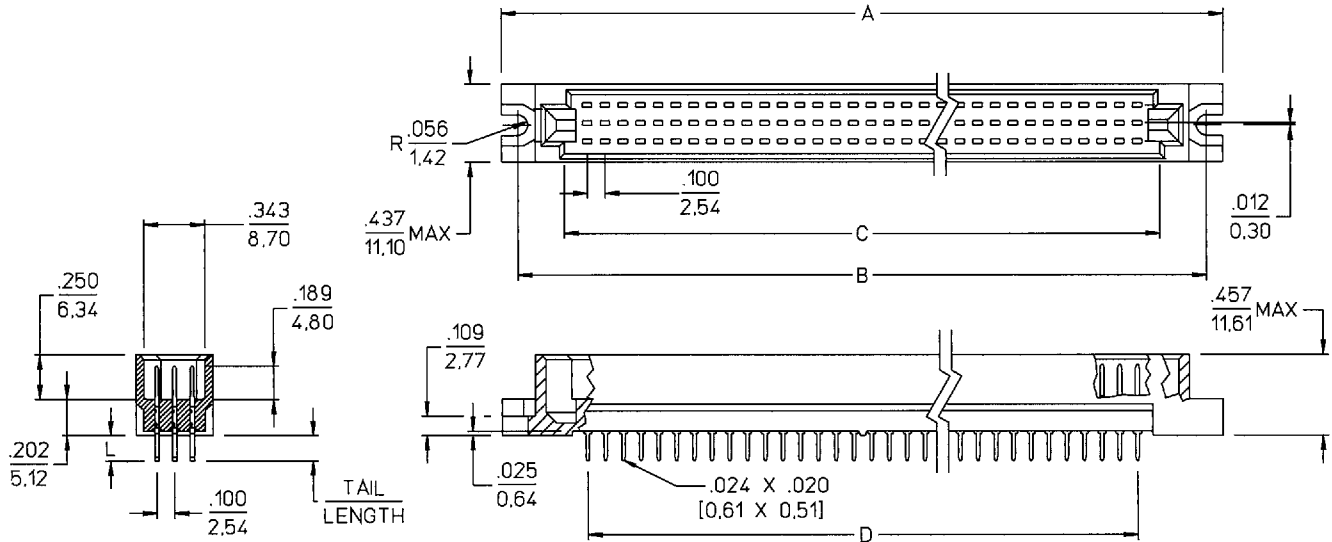
The Guided Vertical Plug has been designed to accept both its guided receptacle mate and DIN 41612 Style R, R/2, C, C/2 and Expanded receptacles. This allows easy upgrades to RPIG and backward compatibility to existing daughtercards. A press fit version is also available. See Page 64 for additional details.

### How to order

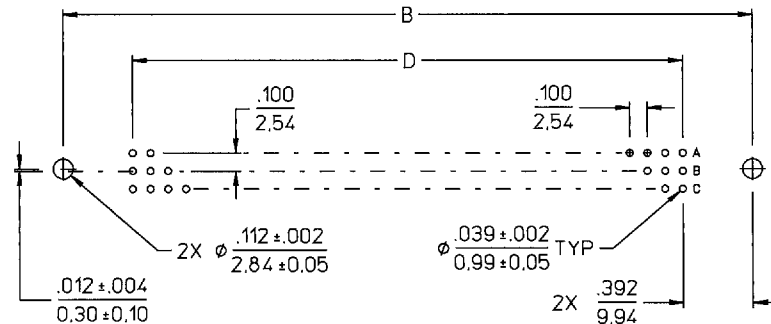
Series	RPIG	150	U	3	0	P	B	15
Number of Contact Positions	48, 96	120, 150						
<b>.100 Spacing</b>								
Features	3 = 3 Row Housing							
Contact Loading	0 = Rows A, B, C Fully Loaded 1 = Rows A, B Fully Loaded 2 = Rows A, C Fully Loaded							
Plug								
Plating	B = 30 µin (.76 microns) Gold min.							
Contact Tail Length	12 = .138" (3.50 mm) 14 = .177" (4.50 mm) 15 = .114" (2.90 mm)							



## Guided DIN Vertical Plug



### Recommended Printed Circuit Board Layout



NUMBER OF POSITIONS	ROWS LOADED	CONTACT PLATING (µin GOLD)	PART NUMBERS			DIMENSIONS			
			TAIL LENGTH			A (MAX)	B ±.004 / ± 0,1	C	D
			.138 (3,50)	.177 (4,50)	.114 (2,90)				
48	A, B, C	30	RPIG48U30PB12	RPIG48U30PB14	RPIG48U30PB15	2.470 62,74	2.284 58,14	1.758 44,65	1.500 38,10
96	A, B, C	30	RPIG96U30PB12	RPIG96U30PB14	• RPIG96U30PB15	4.070 103,38	3.884 98,65	3.358 85,29	3.100 78,74
120	A, B, C	30	RPIG120U30PB12	RPIG120U30PB14	• RPIG120U30PB15	4.870 123,70	4.684 118,97	4.158 105,61	3.900 99,06
150	A, B, C	30	RPIG150U30PB12	RPIG150U30PB14	• RPIG150U30PB15	5.870 149,10	5.684 144,37	5.158 131,01	4.900 124,46

• U.S. Standard Product