



Board to wire interface

Shrouded pin header 2.54 mm (.100) pitch.

- Shrouded headers series 6140 are designed to mate with the crimp female plugs series 6110, or with the IDC female plugs series 6120 and 6130.
- Provided with locking and polarization device ensuring fail safe resistance and avoiding any contact mismatch. Stands-off allow cleaning after soldering.
- Available in single or double row versions with 2 to 25 contacts per row.

Special features

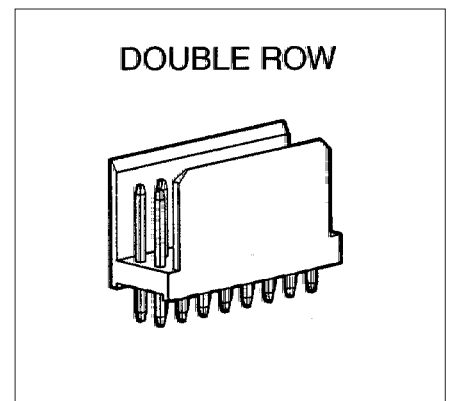
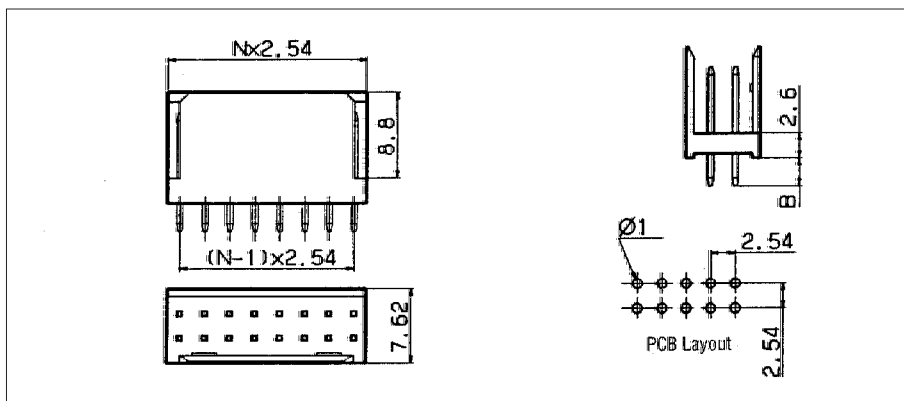
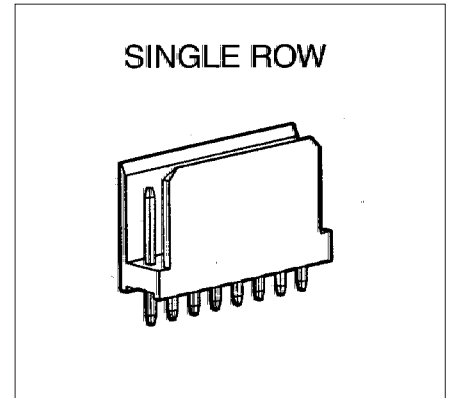
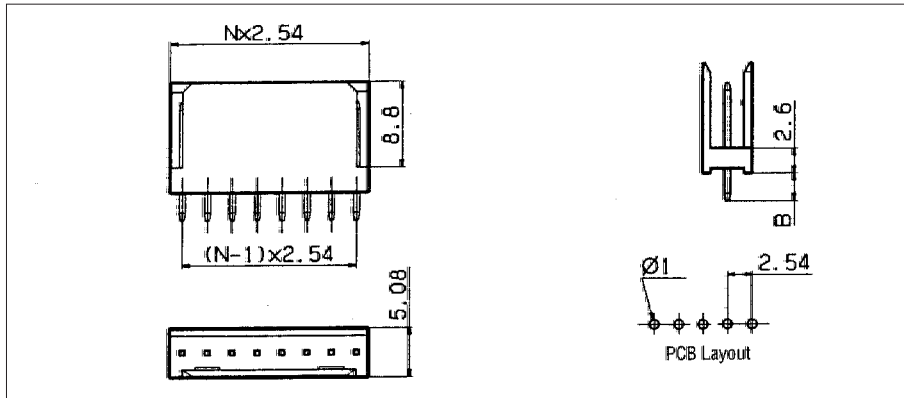
- Insulator : flow soldering heat resistant thermoplastic. Self extinguishing (UL 94 VO).
- Contact : Square pin (0.63 mm²).
- Copper alloy.

How to order

| | | | | | | |
|-----------------------------------|---|-----------|----------|-----------|----------|-----------|
| Series prefix | 6140 | 07 | 2 | D1 | 3 | 00 |
| Number of contacts per row | 02 to 25 | | | | | |
| Number of rows | 1 or 2 | | | | | |
| Contact type | D1 : straight C1 : right angle | | | | | |
| Contact plating | 2 : gold flash 3 : tinned 8 : 0.75 µm gold | | | | | |
| Option | 00 : standard (B = 3 for 1.6 mm PCB) | | | | | |



Straight



Right angle

