

.100" (2.54mm) Dual Row, Through Hole, Right Angle Shrouded Header with Ejector Lever

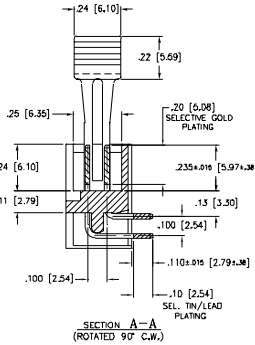
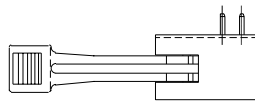
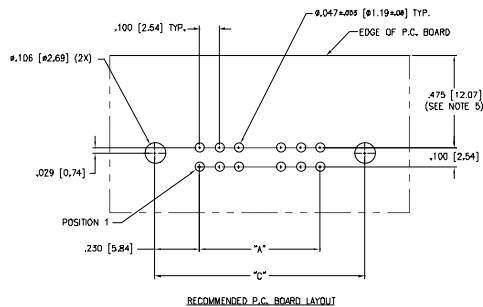
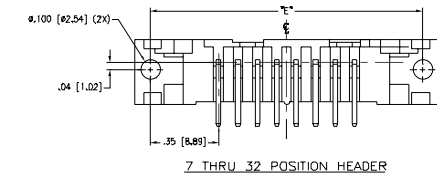
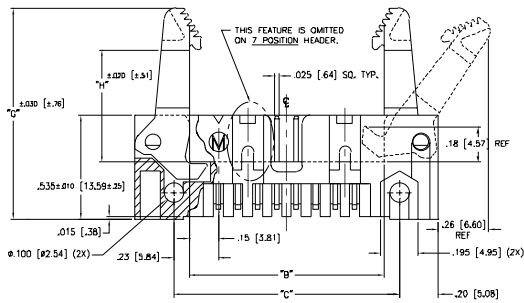
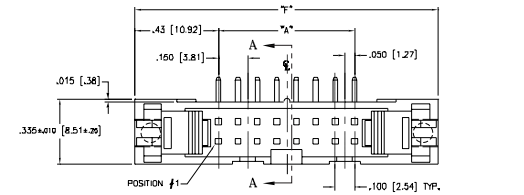


9100 SERIES ("POST/BOXE")

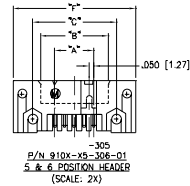
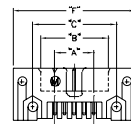
PART NUMBER LEGEND

91XX-X5-2XX-01

- NUMBER OF POSITIONS (SEE TABLE II)
- EJECTOR TYPE (SEE TABLE I)
- PIN PLATING (SEE NOTE 4)
- INSULATOR MATERIAL (SEE NOTE 2)



SECTION A-A (ROTATED 90° C.W.)



NOTES:

1. ALL DIMENSIONS ARE IN IN./MM.
2. INSULATOR MATERIAL: GLASS-FILLED POLYESTER
3. PIN MATERIAL: PHOSPHOR BRONZE
4. PIN FINISH:
 - 9105 - TIN/LEAD OVER NICKEL PLATE.
 - 9106 - .000050 NICKEL PLATE ALL OVER; .000030 SELECTIVE GOLD IN MATING AREA. 0001-.0002 SEL. TIN/LEAD ON SOLDER TAIL.
 - 910E - .000090 NICKEL PLATE ALL OVER; .000015 SELECTIVE GOLD IN MATING AREA. 0001-.0002 SEL. TIN/LEAD ON SOLDER TAIL.
5. MAXIMUM DISTANCE FROM EDGE OF P.C. BOARD FOR DARTY-CHAIN APPLICATION.

PART NO.	DIM. "C"	DIM. "H"
910X-15-XXX-01	1.090 [27.69]	576 [14.63]
910X-45-XXX-01	.940 [23.88]	426 [10.82]

PART NO.	NO. OF CIRCUITS	DIM. "A"	DIM. "B"	DIM. "C"	DIM. "E"	DIM. "H"
910X-X5-X05-01	10	.400 [10.16]	.700 [17.78]	.860 [21.84]	1.100 [27.84]	1.260 [32.00]
-X06-	12	.500 [12.70]	.800 [20.32]	.960 [24.38]	1.200 [30.48]	1.360 [34.54]
-207-	14	.600 [15.24]	.900 [22.86]	1.060 [26.92]	1.300 [33.02]	1.460 [37.08]
-208-	16	.700 [17.78]	1.000 [25.40]	1.160 [29.46]	1.400 [35.56]	1.560 [39.62]
-209-	18	.800 [20.32]	1.100 [27.94]	1.260 [32.00]	1.500 [38.10]	1.660 [42.16]
-210-	20	.900 [22.86]	1.200 [30.48]	1.360 [34.54]	1.600 [40.64]	1.760 [44.70]
-211-	22	1.000 [25.40]	1.300 [33.02]	1.460 [37.08]	1.700 [43.18]	1.860 [47.24]
-212-	24	1.100 [27.94]	1.400 [35.56]	1.560 [39.62]	1.800 [45.72]	1.960 [49.78]
-213-	26	1.200 [30.48]	1.500 [38.10]	1.660 [42.16]	1.900 [48.26]	2.060 [52.32]
-214-	28	1.300 [33.02]	1.600 [40.64]	1.760 [44.70]	2.000 [50.80]	2.160 [54.86]
-215-	30	1.400 [35.56]	1.700 [43.18]	1.860 [47.24]	2.100 [53.34]	2.260 [57.40]
-216-	32	1.500 [38.10]	1.800 [45.72]	1.960 [49.78]	2.200 [55.88]	2.360 [59.94]
-217-	34	1.600 [40.64]	1.900 [48.26]	2.060 [52.32]	2.300 [58.42]	2.460 [62.48]
-218-	36	1.700 [43.18]	2.000 [50.80]	2.160 [54.86]	2.400 [60.96]	2.560 [65.02]
-219-	38	1.800 [45.72]	2.100 [53.34]	2.260 [57.40]	2.500 [63.50]	2.660 [67.56]
-220-	40	1.900 [48.26]	2.200 [55.88]	2.360 [59.94]	2.600 [66.04]	2.760 [70.10]
-221-	42	2.000 [50.80]	2.300 [58.42]	2.460 [62.48]	2.700 [68.58]	2.860 [72.64]
-222-	44	2.100 [53.34]	2.400 [60.96]	2.560 [65.02]	2.800 [71.12]	2.960 [75.18]
-223-	46	2.200 [55.88]	2.500 [63.50]	2.660 [67.56]	2.900 [73.66]	3.060 [77.72]
-224-	48	2.300 [58.42]	2.600 [66.04]	2.760 [70.10]	3.000 [76.20]	3.160 [80.26]
-225-	50	2.400 [60.96]	2.700 [68.58]	2.860 [72.64]	3.100 [78.74]	3.260 [82.80]
-226-	52	2.500 [63.50]	2.800 [71.12]	2.960 [75.18]	3.200 [81.28]	3.360 [85.34]
-227-	54	2.600 [66.04]	2.900 [73.66]	3.060 [77.72]	3.300 [83.82]	3.460 [87.88]
-228-	56	2.700 [68.58]	3.000 [76.20]	3.160 [80.26]	3.400 [86.36]	3.560 [90.42]
-229-	58	2.800 [71.12]	3.100 [78.74]	3.260 [82.80]	3.500 [88.90]	3.660 [92.96]
-230-	60	2.900 [73.66]	3.200 [81.28]	3.360 [85.34]	3.600 [91.44]	3.760 [95.50]
-231-	62	3.000 [76.20]	3.300 [83.82]	3.460 [87.88]	3.700 [93.98]	3.860 [98.04]
910X-X5-232-01	64	3.100 [78.74]	3.400 [86.36]	3.560 [90.42]	3.800 [96.52]	3.960 [100.68]