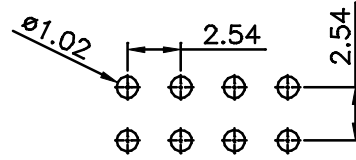


REV.	LOCAS.	DESCRIPTION	DATE	DRAWN
02	▲▲	ADD CAP	2007.06.05	黃美君
03	▲▲	變更料號	2009.04.17	彭恩城

Recommended P.C.Board
Hole Layout

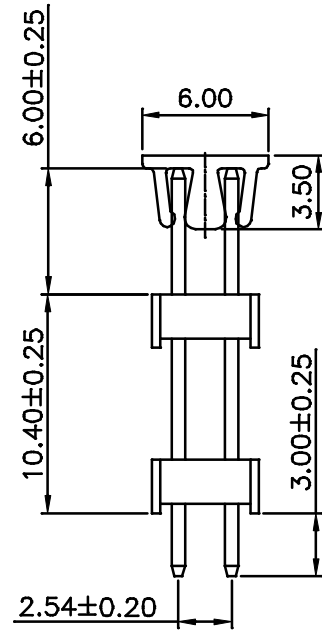
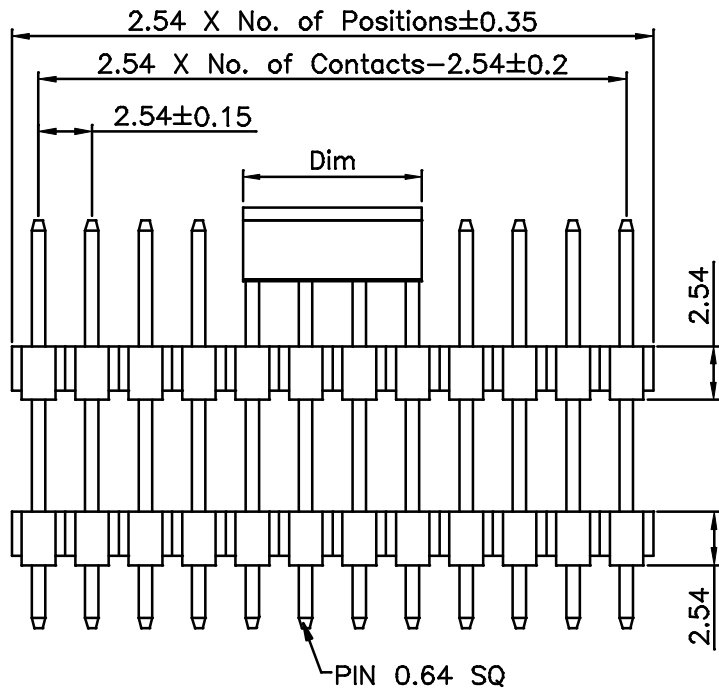


Specifications

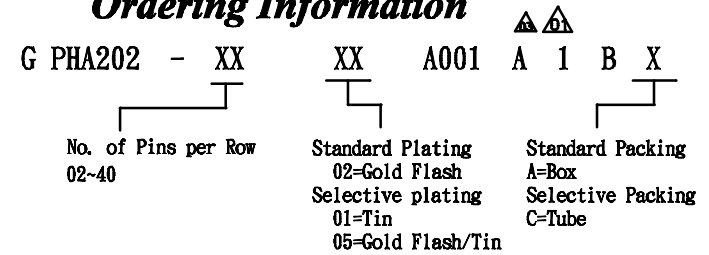
Current Rating: 3Amp
 Insulation Resistance: 1000M WMin.
 Dielectric Withstanding: 600V AC/DC
 Contact Resistance: 20mW Max.
 Operating Temperature: -40°C to +105°C

Materials

Contact Material: Brass
 Insulation Material: Polyester, UL 94V-0 P.B.T
 All materials must meet Greenconn requirement for environment protection



Ordering Information



Dim	NOTE
5.00mm	02pins
6.00mm	03~08pins
8.05mm	09~40pins

格稜股份有限公司
Greenconn Corporation

REV. 03	UNIT. mm	SCALE. 3:1	PAGE. 1/1	
---------	----------	------------	-----------	--

GENERAL TOLERANCE	
X* ± 5.0°	X. ± 0.30
.X ± 3.0°	.X ± 0.25
.XX ± 2.0°	.XX ± 0.15
.XXX ± 1.0°	.XXX ± 0.10

DESIGN: 彭恩城	DATE: 2009.04.17
CHECKED:	DATE:
AUDITED:	DATE:
APPROVED:	DATE:

DWG. NO. ▲	GPHA202-A001A1BX
PART NO. ▲	GPHA202-XXXXA001A1BX

TITLE.	2.54 PIN HEADER DUAL ROWS DIP TYPE BASE 2.54H
--------	---