

PLASTIC TYPE SCO-30

- Programmable high-frequency crystal oscillator
- Plastic surface mount package
- 3.3 / 5.0 supply voltage
- HCMOS/TTL output
- Available on tape and reel
- Wide frequency output by PLL technology
- Output enable function

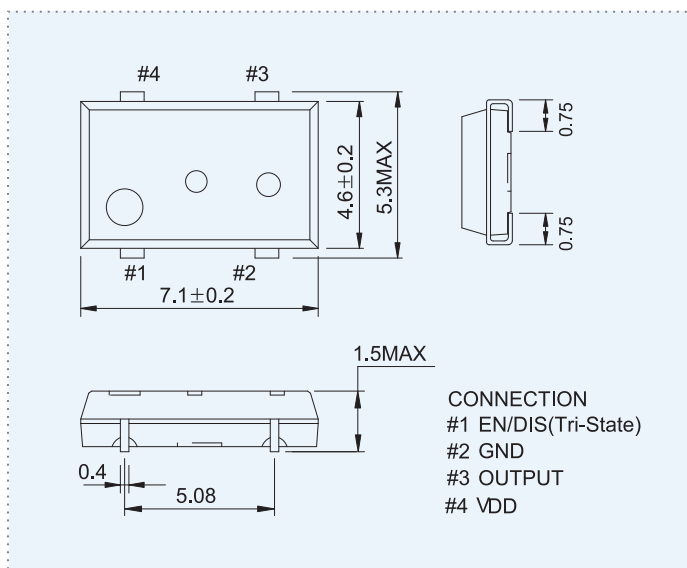


ELECTRICAL SPECIFICATIONS

Frequency Range	1.000 to 125.000MHz (5.0V _{DC}) 1.000 to 106.250MHz (3.3V _{DC})		
Operating Temperature Range	0 to +70°C or -40 to +85°C		
Storage Temperature Range	-55 to +125°C		
Supply Voltage(V _{DD})	5.0V _{DC} ±10%		3.3V _{DC} ±10%
Frequency Tolerance / Stability	±100, ±50ppm, ±25ppm (Optional) max.		
Input Current	1.000 to 20.000MHz	20mA max.	15mA max.
	20.001 to 40.000MHz	30mA max.	25mA max.
	40.001 to 80.000MHz	40mA max.	35mA max.
	80.001 to 125.000MHz	50mA max.	45mA max.
Load Drive Capability	10 TTL Load or 15pF HCMOS Load		
Output Voltage Logic High(V _{OH})	w/TTL Load	2.4V _{DC} min.	
	w/HCMOS Load	90% of V _{DD} min.	
Output Voltage Logic Low(V _{OL})	w/TTL Load	0.4V _{DC} max.	
	w/HCMOS Load	10% of V _{DD} max.	
Duty Cycle	at 50% of Waveform w/HCMOS Load or 1.4V _{DC} w/TTL Load	50 ±10% (STD) 50 ±5% (Optional)	
Rise / Fall Time	4ns max.		
Aging (at 25°C)	±5ppm/year max.		
Start-up Time	10ms max.		
Pin 1 Tri-state Input Voltage	V _{IH} : ≥ 2.0V _{DC} V _{IL} : ≤ 0.8V _{DC}	Enable Output Disable Output : High Impedance	
Period Jitter : pk-pk	100ps max.		
Period Jitter : One Sigma	25ps max.		

MECHANICAL DIMENSIONS

(mm)



LAND PATTERN

(mm)

