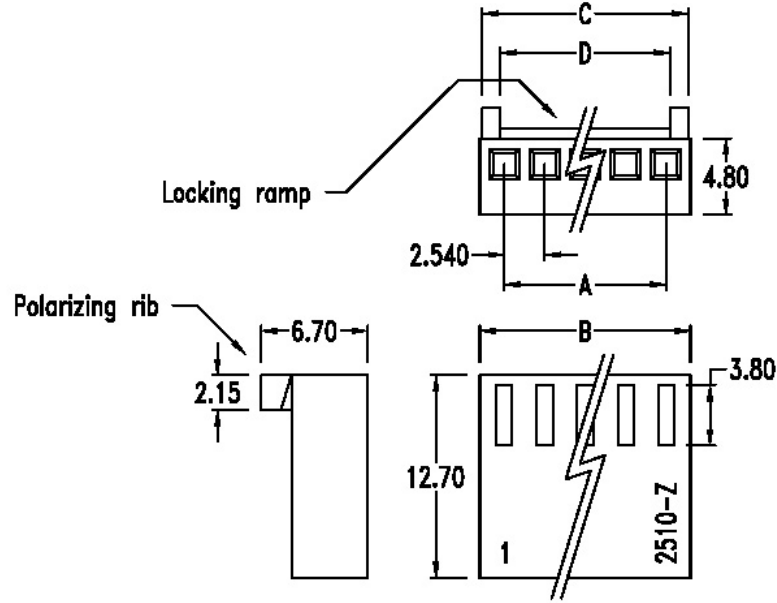


Circuits	Dim. A	Dim B	Dim. C	Dim. D
2	2.54	5.60	5.30	3.10
3	5.08	8.14	7.84	5.64
4	7.62	10.68	10.38	8.18
5	10.16	13.22	12.92	10.27
6	12.70	15.76	15.46	13.26
7	15.24	18.30	18.00	15.80
8	17.78	20.84	20.54	18.34
9	20.32	23.38	23.08	20.88
10	22.86	25.92	25.62	23.42
11	25.40	28.46	28.16	25.96
12	27.94	31.00	30.70	28.50
13	30.48	33.54	33.24	31.04
14	33.02	36.08	35.78	33.58
15	35.56	38.62	38.32	36.12
16	38.10	41.16	40.86	38.66
17	40.64	43.70	43.40	41.20
18	43.18	46.24	45.94	43.74
19	45.72	48.78	48.48	46.28
20	48.26	51.32	51.02	48.82

**SPECIFICATIONS**

Current Rating: 3A AC, DC  
Voltage Rating: 250V AC, DC  
Insulation Resistance: 1000MΩ min.  
Withstanding: 1500V AC/minute  
Temp range: -40°C ~ 105°C  
Material: UL 94V-0 nylon 66

Accepts JS-A-51T terminal  
Molded friction lock  
2~20 Circuits Available



Series	Type	Positions	Color	Options
JS-A	2510	XXZ	X	XX
Plugable Connector	Type 2510	XX=02-20 See Chart	B=Brown W=White	Blank=None NP=No polarization NL=No locking ramp

RoHS compliant

Rev.	Description	Date	Approved	Drawing	Name	Date
				Approved	Howard	11/05/97
				Checked	Lizzy	11/05/97
				Drawn	Tina	11/05/97
				0.0 ± 0.35	0.00 ± 0.20	Angles ± 3'
				UNIT: mm		

**Central Components Manufacturing**  
440 Lincoln Blvd., Middlesex, New Jersey 08846  
Phone 732 469-5720 888 288-5152 Fax 732 469-1919

Part No.: **JS-A-2510-XXZ-X-XX**

Description: .100 (2.54) Polarized Locking Housing

