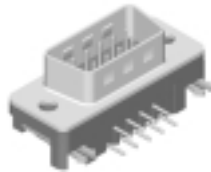
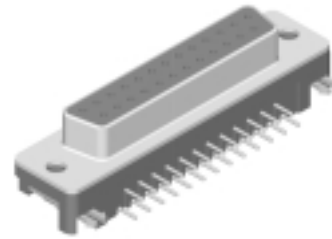




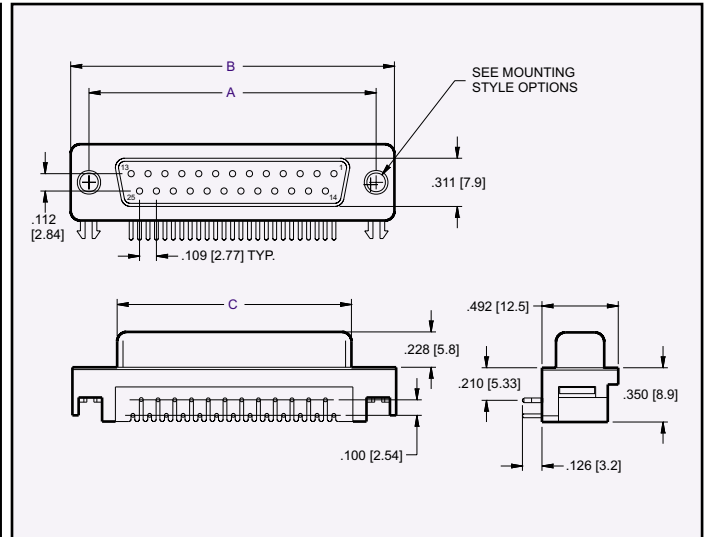
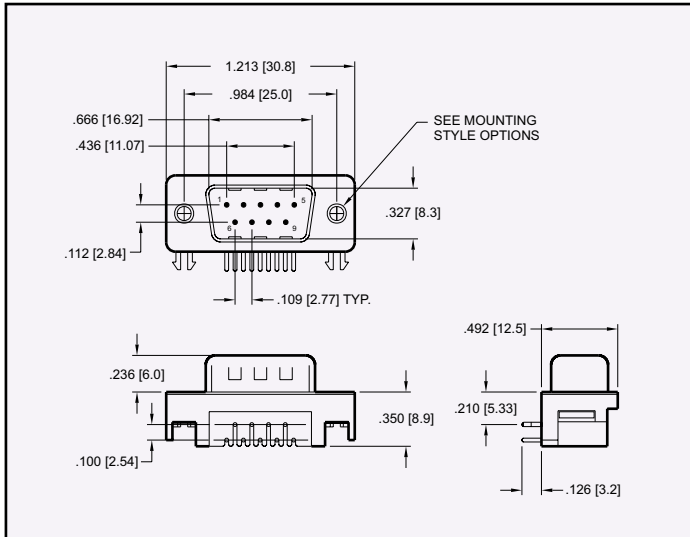
8000 Series D-Subminiature .210 Right Angle



PLUG



RECEPTACLE

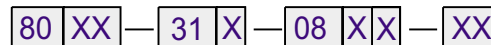


Receptacle

CONTACTS	A	B	C
09	0.984 [25.00]	1.213 [30.80]	0.642 [16.30]
25	1.852 [47.04]	2.091 [53.10]	1.508 [38.30]

Dimensions are in inches [mm]

PART NUMBERING



SERIES CODE

NO. OF CONTACTS

09 = Plug
09, 25 = Receptacle

CONNECTOR TYPE

P = Plug
S = Receptacle

MOUNTING STYLE OPTIONS

See Page E-05 For Options

08 = Riveted Ground Hooks with #4-40 UNC Open
Consult Factory for other Mounting Options

CONTACT PLATING

50μ" Nickel Underplate

Mating Area

05 = Au Flash

20 = 15μ" Gold

30 = 30μ" Gold

Tail

100μ" Tin Lead

100μ" Tin Lead

100μ" Tin Lead

SHELL PLATING

50μ" Nickel Underplate

1 = Tin Plating (standard)

INSULATOR COLOR

1 = Black