

PRODUCT NUMBER
77311-YXX-XXLF

PLATING SEE SHEET 2

PIN STYLE SEE SHEET 2

RoHS COMPATIBLE
SEE NOTE 6

TOTAL NB OF POSITIONS 01 TO 36
OPTION LETTER SEE NOTE 7

PRODUCT NUMBER (BERGSTRIK PACKAGING)
77311-YXX-00LF

PLATING

1= 0.76µm GOLD/GXT ON CONTACT
AREA, 2µm TIN MIN ON TAILS

8= 0.38µm GOLD/GXT ON CONTACT
AREA, 2µm TIN MIN ON TAILS

4= 2.0µm TIN MIN FULL PLATED

INDICATES THE PRODUCT IS RoHS
COMPATIBLE, SEE NOTE 6

POSITIONS PER REEL : 00=36,000 (BERGSTRIK)

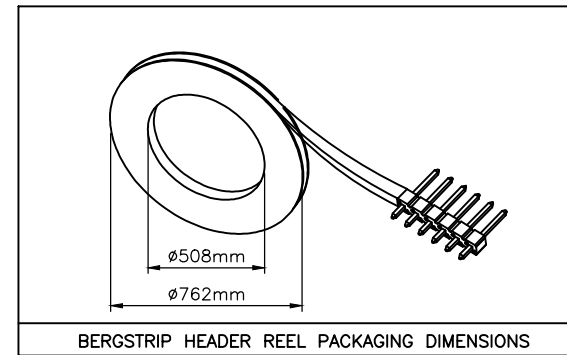
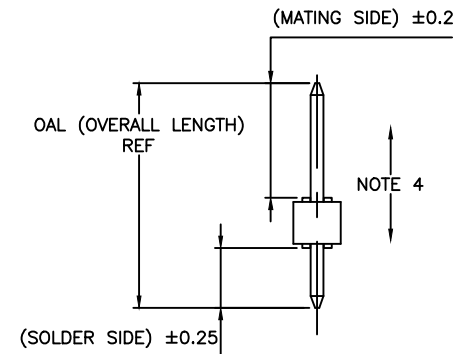
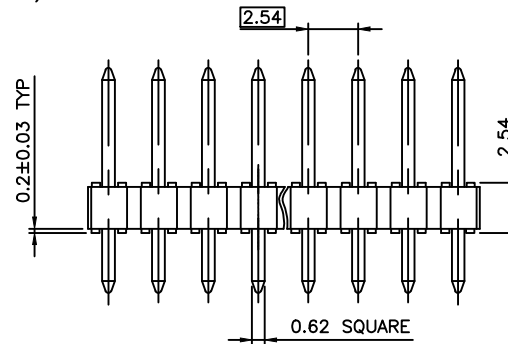
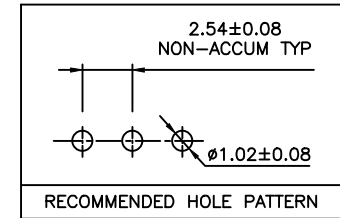
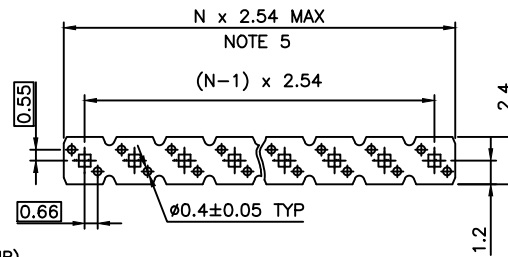
PIN STYLE	MATING	SOLDER	OAL
01	5.84	2.41	10.8
02	5.84	3.42	11.8
18	5.84	3.05	11.43
22	7.75	3.05	13.35
24	6.75	2.9	12.2
27	6.6	2.66	11.8

NOTES:

- HOUSING MAT'L : HIGH TEMPERATURE THERMOPLASTIC. UL94V-0 COLOR: BLACK
- PIN MATERIAL : PHOSPHOR BRONZE
- BERGSTIK PRODUCT PACKAGED IN POLYBAGS. BERGSTRIK PRODUCT PACKAGED PER REELS.
- 9N MIN RETENTION IN EITHER DIRECTION
- TO DETERMINE DIMENSIONS :
N = NUMBER OF POSITIONS PER ROW
EXAMPLE : 8 POS N x 2.54 = 20.32mm
- RoHS COMPATIBLE PRODUCT SPECIFICATIONS
 - PLATING:
 - "LF" MEANS THE PRODUCT IS LEAD-FREE, 2µm MINIMUM MATTE TIN OVER 1.27µm MINIMUM NICKEL UNDERPLATE.
 - MANUFACTURING PROCESS COMPATIBILITY
 - THE HOUSING WILL WITHSTAND EXPOSURE TO 260°C ±5°C SOLDER BATH TEMPERATURE FOR 5 SECONDS IN A WAVE SOLDER APPLICATION WITH A 1.6mm MIN THICK CIRCUIT BOARD.
 - LABELING:
 - MEETS PACKAGING SPECS AS PER GS-14-920
 - LEGAL STATEMENT: SEE GS-47-0004

7. OPTION LETTER :

- T = TUBE PACKAGING WITHOUT PICK UP CAP
- K = TAPE & REEL PACKAGING, WITHOUT PICK UP CAP
ONLY FOR P/N 77311-462K04(LF) AND 77311-462K05(LF)
- KV = TAPE & REEL PACKAGING WITHOUT PICK UP CAP FOR CUSTOMER DEDICATED PART
ONLY FOR P/N 77311-462KV04LF
- C = HIGHT RETENTION FEATURES, SEE SHEET 2
- R = RETENTION FEATURES, SEE SHEET 2
IF RETENTION FEATURE "R" AND TUBE PACKAGING "T" ARE BOTH REQUIRED
OPTIONAL LETTER "R" WILL APPEAR INSTEAD OF THE FIRST DASH
EXAMPLE : 77311R424T03LF



mat'l. code		surface		tolerance		projection		product family			
SEE NOTES		ISO 1302	ISO 406	ISO 1001	mm		BERGSTIK				
ltr	ecn no	dr	date	tolerances unless otherwise specified		mm		title			
CF	F-22085	LMU	15.10.05	angles	.x ±0.3	mm		UNSHR.HEADER			
CG	F-22100	AMA	15.10.08	linear	.xx ±0.15	mm		STR SR TMT			
CH	F-22133	AMA	15.10.12		.xxx ±0.05	scale 5:1		dwg no			
CC	B-20169	BVE	15.02.12	dr	D.LE	01.01.24	FCJ	sheet 1 of 3		size	
CD	B-20497	BVE	15.03.18	enr	JM.C	01.01.24		77311		A3	
CE	B-20596	AMA	15.03.30	chr	JM.C	01.01.24		type		CUSTOMER	Drawing
CE	B-20596	AMA	15.03.30	appd	JF.N	01.01.24					
sheet index	revision	CH	BW	B							
	sheet	1	2	3							

PLATING

- 1 = 0.76µm GOLD/GXT ON CONTACT AREA, 2µm TIN MIN ON TAIL
- 4 = 2µm TIN MIN FULL PLATED
- 5 = 0.25µm GOLD/GXT ON CONTACT AREA, 2µm TIN MIN ON TAIL
- 8 = 0.38µm GOLD/GXT ON CONTACT AREA, 2µm TIN MIN ON TAIL
- G = 0.76µm FULL GXT
- S = 0.38µm FULL GXT
- T = 2µm TIN MIN FULL PLATED INCLUDED PIN TYP
 - 1.27µm NICKEL MIN UNDERLAYER FOR ALL PLATING VERSIONS

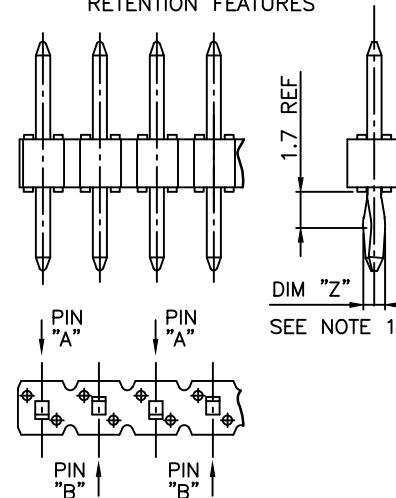
RETENTION FEATURES :

- 1 - PART NUMBER 77311-XXXXXXLF: DIM "Z"=(0.99)
PART NUMBER 77311-XXXCXXLF: DIM "Z"= 1.05MIN -1.15MAX
- 2 - PINS "A" AND "B" USED FOR RETENTION.
- 3 - DIRECTION OF RETENTION SHOWN BY ARROWS.
- 4 - ON 4 TO 36 POSITIONS HEADER; RETENTION IS IN MID POSITION OF HEADER (4 CENTRAL PINS)
- 5 - FOR RETENTION OPTION , SOLDER TAIL LENGTH TO BE 2.9 MIN UP TO 3.5 MAX.
- 6 - HOUSING MATERIAL FOR P/N 77311-4AJC03LF & 77311-TAJC03LF HIGH TEMPERATURE THERMOPLASTIC UL94V-0 COLOR : NATURAL

PLATING SPECIFICATIONS :

- 7 - ONLY FOR PLATING 1XX, 8.0MM GOLD / GXT PLATING AREA FROM PIN TYPE ON MATING SIDE

RETENTION FEATURES



Copyright FCI

mat'l. code		surface		tolerance		projection		product family	
		ISO 1302 ✓		ISO 406 ISO 1101		mm		BERGSTIK	
ltr		ecn no		date		tolerances unless otherwise specified		title	
BU		B-20596		AMA 15.03.30		linear		UNSHR.HEADER	
BV		F-22085		LMU 15.10.05				STR SR TMT	
BW		F-22100		AMA 15.10.08		scale N/A		dwg no	
				dr		D.LE		sheet 2 of 3	
BR		B-19692		JCO 14.12.09		enr		JM.C 01.01.24	
BS		B-20169		BVE 15.02.12		chr		JM.C 01.01.24	
BT		B-20497		BVE 15.03.18		appd		JF.N 01.01.24	
sheet		revision							
index		sheet							



PRODUCTS SPECIFICATIONS

PIN	STYLE	MATING	SOLDER	OAL
01		5.84	2.41	10.8
02		5.84	3.42	11.8
03		5.72	5.09	13.35
05		5.72	10.14	18.4
08		5.72	17.78	26.04
15		8.51	2.55	13.6
18		5.84	3.05	11.43
19		12.83	3.03	18.4
20		15.37	3.04	20.95
22		7.75	3.05	13.35
24		6.75	2.9	12.2
25		8.51	3.18	14.22
27		6.6	2.65	11.8
26		15.57	2.84	20.95
29		17.5	3.46	23.5
32		10.3	3.05	15.9
38		5.84	3.82	12.2
39		11.2	3.05	16.8
46		8.08	2.98	13.6
58		14.47	3.05	20.06
62		13.5	3.05	19.09
70		6.54	3.50	12.57
83		20.46	3.00	26.00
85		5.72	8.51	16.76
87		6.98	3.05	12.57
91		5.6	10.21	18.35
92		5.65	12.76	20.95
93		6.00	4.81	13.35
94		15.60	3.20	21.25

NOTE 7

PRODUCTS SPECIFICATIONS

PIN	STYLE	MATING	SOLDER	OAL
95		10.00	8.45	20.95
96		10.95	3.05	16.55
97		9.00	3.55	15.09
98		3.00	1.35	6.84
99		24.00	3.05	29.50
AA		5.72	15.24	23.50
AB			N/A	
AC		7.21	3.05	12.80
AD		17.53	3.43	23.50
AE		4.99	2.80	10.33
AF		5.72	3.05	11.30
AG		5.84	4.95	13.33
AH		14.31	3.20	20.05
AJ		8.90	3.40	14.85
AK		25.06	3.00	30.80
AL		3.30	3.30	9.14
AM		9.26	3.05	14.85
AN		7.60	4.40	14.47
AP		7.80	3.30	13.60
AR		18.86	2.41	23.81
AS		11.91	1.45	15.90
AT		4.60	4.60	11.61
AU		12.10	3.10	17.70
AV		6.30	6.30	15.10
AW		9.16	1.80	13.50
AX		5.08	2.43	10.05
AY		7.49	3.47	13.50
BA		8.08	2.75	13.37
BB		10.80	2.15	15.50
BC		8.08	3.81	14.43
BD		10.10	2.16	14.80
BE		13.65	2.41	18.60
BF		2.54	5.32	10.40
BG		4.98	1.85	9.23
BH		4.69	2.41	9.50
BJ		7.21	6.15	15.90

NOTE 6



Copyright FCI

mat'l. code		surface		tolerance		projection		product family		
		ISO 1302 <input checked="" type="checkbox"/>		ISO 406 ISO 1101				BERGSTIK		
ltr	ecn no	dr	date	tolerances unless otherwise specified		mm		title		
A	F-22100	AMA	15.10.08	angles	linear			UNSHR.HEADER		
B	F-22133	AMA	15.10.12			scale N/A		STR SR TMT		
		dr	A.MA	15.10.08			dwg no		sheet 3 of 3	size
		enr	L.MU	15.10.08			77311		A3	
		chr	J.CO	15.10.08			type		CUSTOMER Drawing	
		appd	A.SO	15.10.08						
sheet index	revision sheet									