

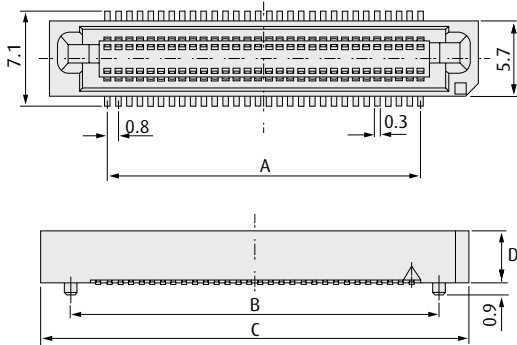
M60 Connectors

Male & Female SMT Connectors

A range of double row 0.8mm pitch SMT male & female connectors for variable height board-to-board stacking.

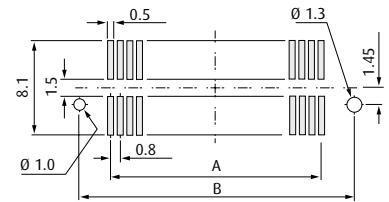
- ❖ Locating pegs to ensure correct positioning onto the board.
- ❖ Polarised to prevent mis-mating.
- ❖ For tape and reel packaging contact technical@harwin.com.

MALE



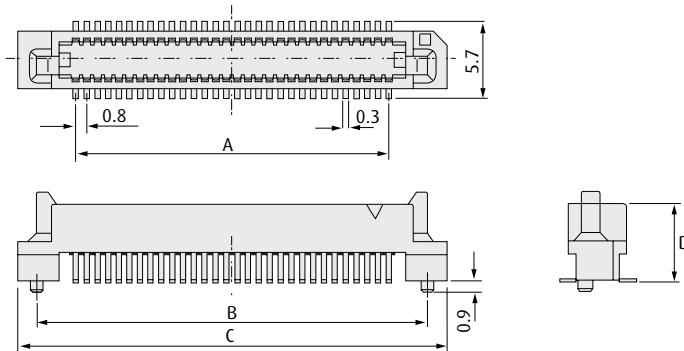
CALCULATION:

A	0.8 x (No. of ways per row - 1)
B	A + 4.0
C	A + 8.6



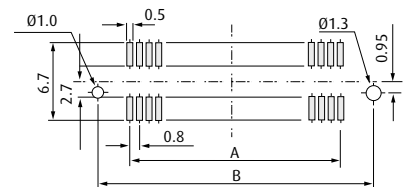
Recommended PC Board Pattern

FEMALE



CALCULATION:

A	0.8 x (No. of ways per row - 1)
B	A + 5.6
C	A + 8.6



Recommended PC Board Pattern

HOW TO ORDER

M60 - 6 X X XX XX

SERIES CODE

GENDER

0	Female
1	Male

CONNECTOR HEIGHT

4	D = 4mm
5	D = 5mm (Female only)
6	D = 6mm

FINISH

Gold + Tin/Lead	22
Gold + Tin	42

NO. OF WAYS PER ROW

10, 15, 20, 25, 30, 40, 50

www.harwin.com

