

6

5

4

3

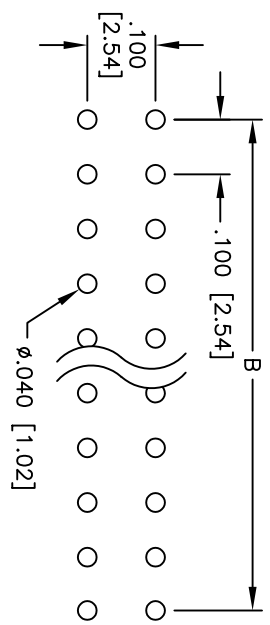
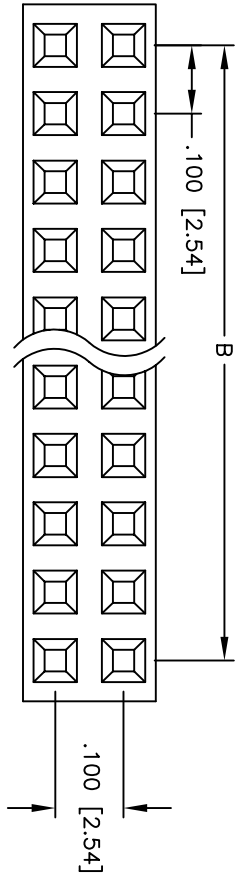
2

1

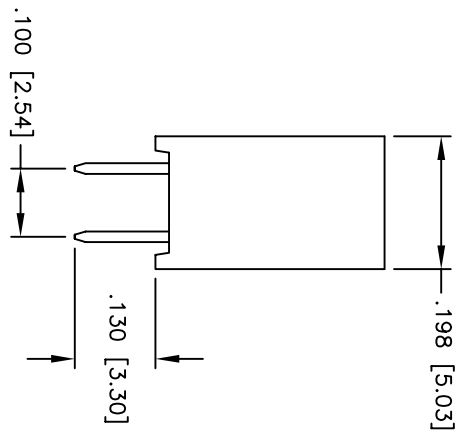
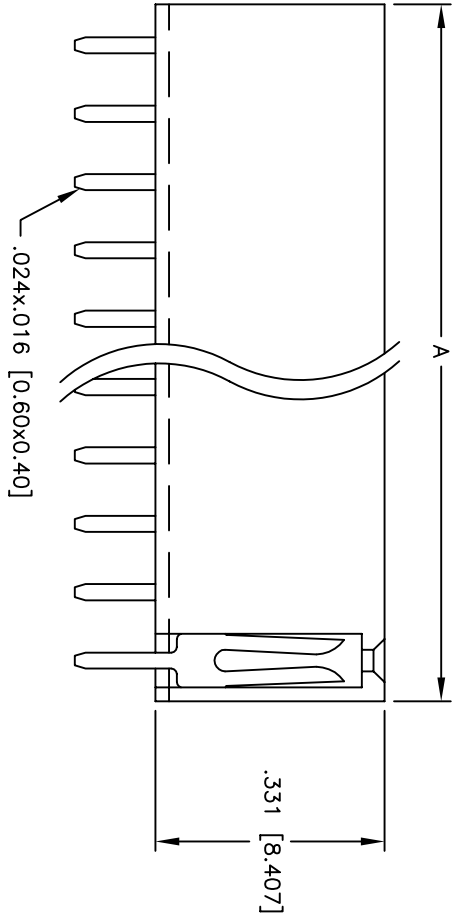
Rev	AWO #	Description	Date	Appr
-		RELEASED	5/31/05	

APPROVED: _____

DATE: _____ TITLE: _____



RECOMMENDED PCB LAYOUT



SPECIFICATIONS:

- Material: Insulator: PBT, glass reinforced, rated UL 94V-0
- Insulator color: Black
- Contacts: Brass
- Plating: Gold flash over Nickel underplate on contact area Tin over Copper Underplate on solder tails
- Electrical: Operating voltage: 250 VAC max. Current rating: 3 Amps max. Contact resistance: 20 mohms max. initial Insulation resistance: 5,000 Mohms min. Dielectric withstanding voltage: 1,000 VAC for 1 minute
- Temperature Rating: Operating temperature: -40°C to +105°C
- Environmental: Lead free, RoHS compliant
- Recommended soldering temp: 235°C for 5 seconds

Positions: 02 thru 80
 A = .100 [2.54] x No. of Positions per Row + .020 [0.50]
 B = .100 [2.54] x No. of Spaces

UNLESS OTHERWISE SPECIFIED ALL DIMENSIONS ARE INCHES [MM]

TOLERANCES: EXCEPT AS NOTED	HOLES
.X ± .10	ØX ± .10
.XX ± .020	ØXXX ± .015
.XXX ± .015	ØXXX ± .010

APPROVALS

DRAWN	SS	5/31/05
CHECKED		
APPROVED		

ADAM TECH
 909 Rahway Avenue, Union, NJ 07083
 Phone: 908-687-5000 Fax: 908-687-5710

TITLE: .100 x .100 DUAL ROW RECEPTACLE STRIP
 .335 [8.50] HEIGHT

SIZE	PART NO.	REV.
X	R92-XX-SG	
REF:	SCALE: NTS	SHEET 1 OF 1

6

5

4

3

2

1