

DWG. NO. SD-55456-004

F

D

V

C

B

DO NOT SCALE DRAWING

8

7

6

5

4

3

2

F

E



D

C

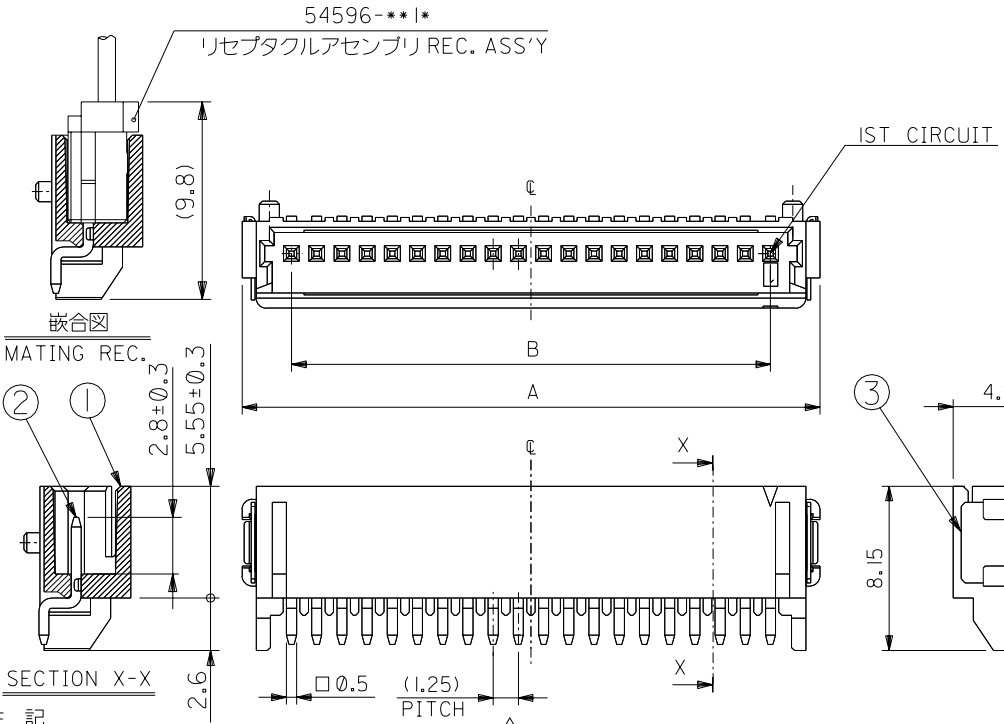
B

A

番号 NO.	名称 NAME	材料 MATERIAL	数量 QTY	仕上げ FINISH
①	ウエハー WAFER	ナイロン NYLON	1	UL94V-0 色:原色 COLOR:NATURAL
②	ピン PIN	黄銅 BRASS	N	全体錫メッキ PRE-TINNED
③	ネール NAIL	黄銅 BRASS	2	半田メッキ Sn-Pb PLATING

ボス無しタイプ WITHOUT BOSS	ボス有りタイプ WITH BOSS
55456-***3	55456-***1
	

D	C	B	A	MATERIAL NO.	MODEL NO.	MATERIAL NO.	MODEL NO.
27.25	25.95	23.75	28.65	55456-2030	ボス無しタイプ WITHOUT BOSS 55456-***3	55456-2010	ボス有りタイプ WITH BOSS 55456-***1
26	24.7	22.5	27.4	-1930		-1910	
24.75	23.45	21.25	26.15	-1830		-1810	
23.5	22.2	20	24.9	-1730		-1710	
22.25	20.95	18.75	23.65	-1630		-1610	
21	19.7	17.5	22.4	-1530		-1510	
19.75	18.45	16.25	21.15	-1430		-1410	
18.5	17.2	15	19.9	-1330		-1310	
17.25	15.95	13.75	18.65	-1230		-1210	
16	14.7	12.5	17.4	-1130		-1110	
14.75	13.45	11.25	16.15	-1030		-1010	
13.5	12.2	10	14.9	-0930		-0910	
12.25	10.95	8.75	13.65	-0830		-0810	
11	9.7	7.5	12.4	-0730		-0710	
9.75	8.45	6.25	11.15	-0630		-0610	
8.5	7.2	5	9.9	-0530	-0510		
7.25	5.95	3.75	8.65	-0430	-0410		
6	4.7	2.5	7.4	-0330	-0310		
4.75	3.45	1.25	6.15	55456-0230	55456-0210		



注記 NOTES

- 材料及び仕上げ:表参照 MATERIAL AND FINISH:SEE CHART
- エンボス梱包品の詳細は、SD-55456-005 を参照の事。 DETAILED TAPING PACKAGE,SEE SD-55456-005

製品番号 MATERIAL NO. 55456-****

極数 CIRCUIT SIZE (02~20)

ボス BOSS 1: 有り WITH BOSS 3: 無し WITHOUT BOSS

色 COLOR 0: 自然色 NATURAL

EC NO. DRWN: CH'K: APPR:	EC NO. DRWN: CH'K: APPR:	REVISED EC NO. JD2002-2587 DRWN: ALIDA '02/04/12 CH'K: M.YAGI APPR: YO.IITO	REVISED EC NO. JD2000-I-1052 DRWN: M.ISOGAYA '01/02/26 CH'K: M.YAGI/SCHIKAWA APPR: H.IKESUGI	RELEASED EC NO. JD2000-1414 DRWN: M.ISOGAYA CH'K: M.YAGI/SCHIKAWA APPR: H.IKESUGI	DESCRIPTION	MATERIAL 材料 SEE CHART	FINISH 仕上げ SEE CHART	WIRE RANGE 適用線径範囲	INS. RANGE 被覆外径	GENERAL TOLERANCES: (UNLESS SPECIFIED) 一般公差	SCALE 4-1	DESIGN UNITS <input checked="" type="checkbox"/> mm <input type="checkbox"/> INCH	THIRD ANGLE PROJECTION <input checked="" type="checkbox"/> mm <input type="checkbox"/> INCH	DIMENSIONS: <input type="checkbox"/> mm <input type="checkbox"/> INCH <input checked="" type="checkbox"/> mm ONLY	SHT	REV
		B	A	0		SEE CHART	SEE CHART			10 UNDER 未満 ±0.2						
										10 OVER 30 UNDER 未満 ±0.25						
										30 OVER 以上 ±0.3						
										ANGLE 角度 ±3°						
DRAWN BY & DATE M.ISOGAYA '00/06/27											TITLE: Mini MiII I-ROW R/A SMT ASS'Y					
CHECKED BY & DATE G.Yagi / S. Ichikawa.											MOLEX MOLEX INCORPORATED					
APPROVED BY & DATE H.IKESUGI											MATERIAL NO. SEE CHART		DRAWING NO. SD-55456-004		SHEET NO. 1 OF 2	
CAD FILENAME 55456004.S01											MATERIAL NO. SEE CHART		DRAWING NO. SD-55456-004		SHEET NO. 1 OF 2	
THIS DRAWING CONTAINS INFORMATION THAT IS PROPRIETARY TO MOLEX INCORPORATED AND SHOULD NOT BE USED WITHOUT WRITTEN PERMISSION.															SIZE B	

8

7

6

5

4

3

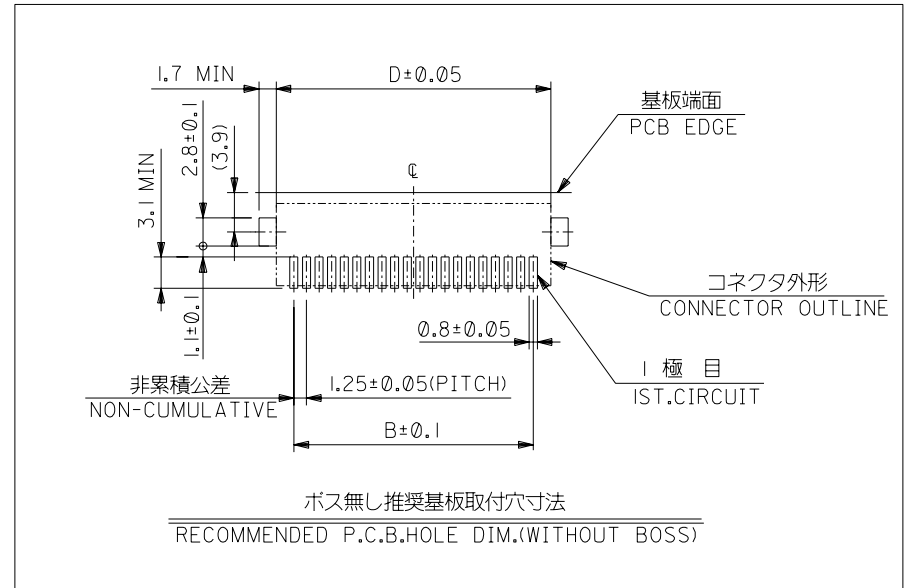
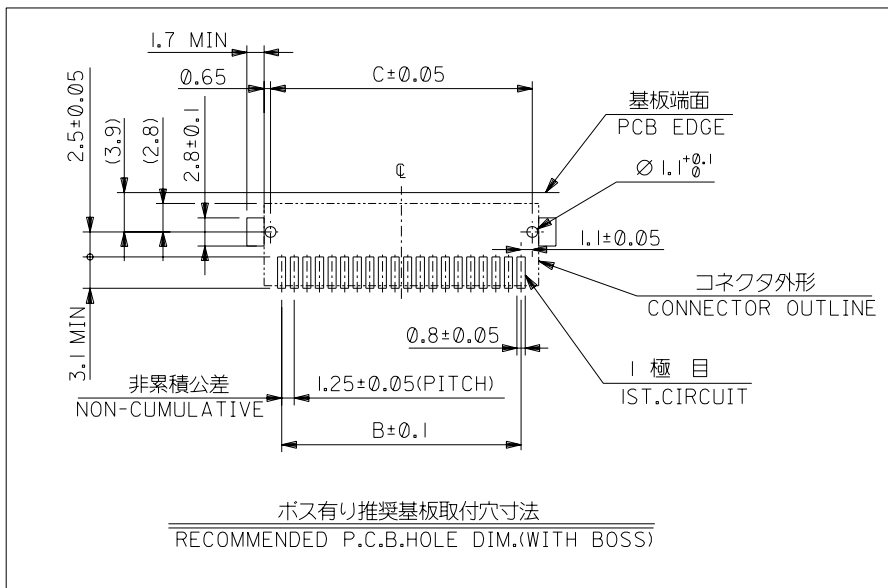
2

EN-02J(097) MXJ-54

55456004.S01

DWG. NO. SD-55456-004

8 7 6 5 4 3 2 1



DO NOT SCALE DRAWING

EC NO. DRAWN: CHK: APPR:	EC NO. DRAWN: CHK: APPR:	EC NO. DRAWN: CHK: APPR:	EC NO. DRAWN: CHK: APPR:	EC NO. DRAWN: CHK: APPR:
SEE SHEET 1 OF 2	SEE SHEET 1 OF 2	SEE SHEET 1 OF 2	SEE SHEET 1 OF 2	SEE SHEET 1 OF 2
B	A	0		

DESCRIPTION	MATERIAL 材料
	SEE SHEET 1 OF 2
	FINISH 仕上げ
	SEE SHEET 1 OF 2
	WIRE RANGE 適用電線範囲
	INS. RANGE 被覆外径

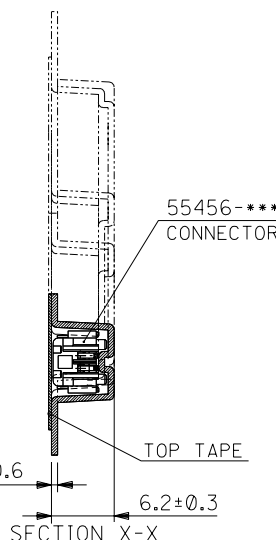
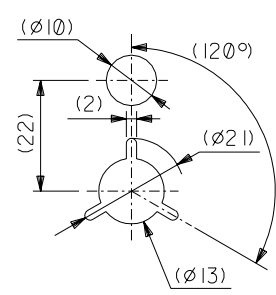
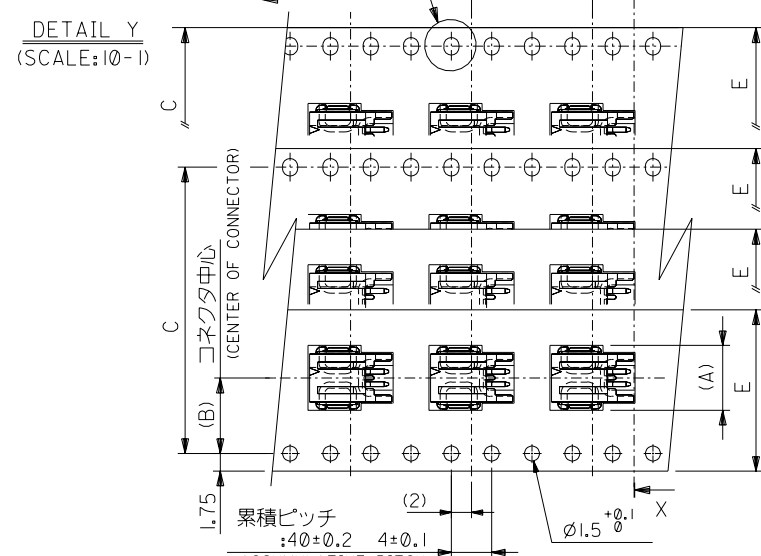
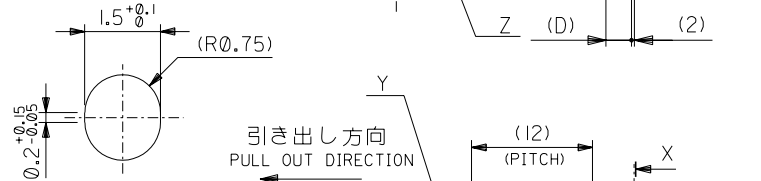
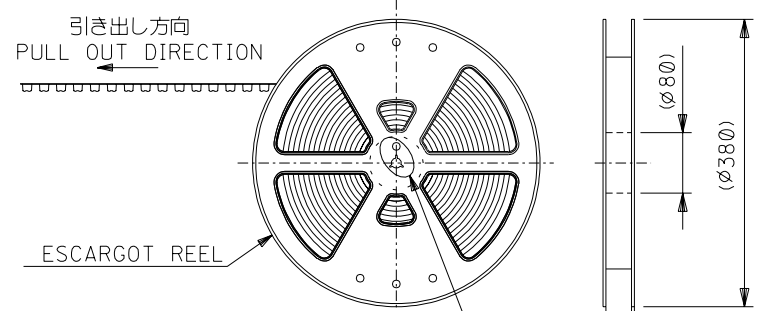
GENERAL TOLERANCES: (UNLESS SPECIFIED) 一般公差	SCALE 4-1	DESIGN UNITS <input checked="" type="checkbox"/> mm <input type="checkbox"/> INCH
10 UNDER 未満	±0.2	DRAWN BY & DATE M.ISOGAYA '00/06/27
10 OVER 以上 30 UNDER 未満	±0.25	CHECKED BY & DATE <i>H. Maki / S. Ichikawa.</i>
30 OVER 以上	±0.3	APPROVED BY & DATE <i>H. Maki</i>
ANGLE 角度	±3°	CAD FILENAME 55456004.S02

DIMENSIONS: <input type="checkbox"/> mm <input type="checkbox"/> INCH <input checked="" type="checkbox"/> mm ONLY		SHT	REV
THIRD ANGLE PROJECTION			REVISE ON CAD ONLY
TITLE: Mini MiII I-ROW R/A SMT ASS'Y			
MOLEX INCORPORATED			
CAD FILENAME 55456004.S02	MATERIAL NO. SEE CHART	DRAWING NO. SD-55456-004	SHEET NO. 2
THIS DRAWING CONTAINS INFORMATION THAT IS PROPRIETARY TO MOLEX INCORPORATED AND SHOULD NOT BE USED WITHOUT WRITTEN PERMISSION.			SIZE B

8 7 6 5 4 3 2 1 EN-02J(097) MXJ-54

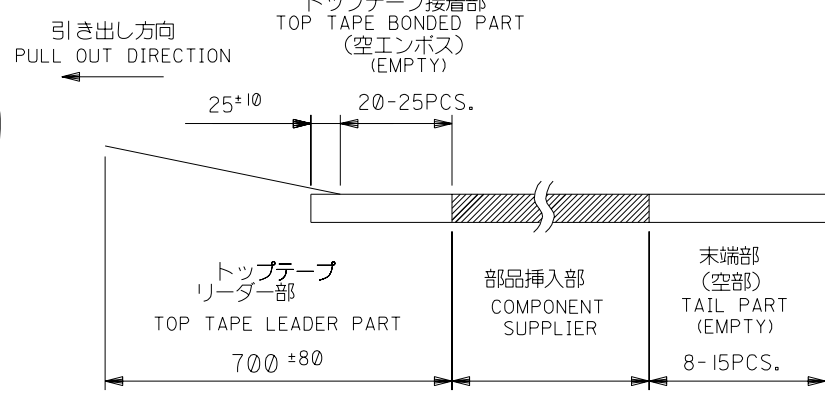
A 55456004.S02

DWG. NO. SD-55456-005

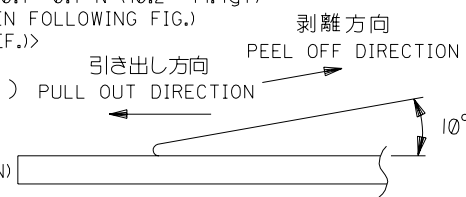


注記 NOTES

- 製品番号 55456-**** の詳細寸法については、SD-55456-004 を参照下さい。
IN THE PACKAGE, PART NO. 55456-**** DETAILED DIMENSION, SEE SD-55456-004
- 梱包数量：1250個/リール
NUMBER OF CONNECTORS: 1250 PCS/REEL
- リードテープ長さ
LEAD TAPE LENGTH



- トップテープの剥離強度：0.1 ~ 0.7 N (10.2 ~ 71.4gf)
(剥離方向は下図参照)
剥離速度：300mm/min (参考)
PEEL-OFF FORCE OF TOP TAPE: 0.1 ~ 0.7 N (10.2 ~ 71.4gf)
(PEELING DIRECTION AS SHOWN IN FOLLOWING FIG.)
<PEEL-OFF SPEED: 300mm/min (REF.)>
尚、本規格値は、出荷時に適用。
(但し、輸送時に剥離が発生しない事。)
THIS REQUIREMENT SHOULD BE APPLIED AT SHIPMENT
(PEEL OFF SHOULD NOT BE ALLOWED, DURING TRANSPORTATION)



- 材料 MATERIAL
キャリアテープ：ポリプロピレン
CARRIER TAPE: POLYPROPYLENE
トップテープ：PET, PE, PP
TOP TAPE: PET, PE, PEF
リール：ポリスチレン
REEL: POLYSTYRENE

DO NOT SCALE DRAWING

EC NO. DRAWN: CHK'g: APPR:	REVISED EC NO. J2003-2535 DRWN: A.IDA '03/04/01 CHK'g: M.YAGI APPR: YO.ITO	REVISED EC NO. J2002-2587 DRWN: A.IDA '02/04/12 CHK'g: M.YAGI APPR: YO.ITO	REVISED EC NO. JD2001-1071 DRWN: A.IDA '01/02/13 CHK'g: M.YAGI/SCHIKAWA APPR: H.IKESUGI	RELEASED EC NO. JD2000-1414 DRWN: M.ISOGAYA CHK'g: M.YAGI/SCHIKAWA APPR: H.IKESUGI	MATERIAL 材料	注記参照 SEE NOTES
FINISH 仕上げ	—					
WIRE RANGE 適用層線範囲	—					
INS. RANGE 被覆外径	—					

GENERAL TOLERANCES: (UNLESS SPECIFIED) 一般公差	SCALE 2-1	DESIGN UNITS mm □ INCH	THIRD ANGLE PROJECTION	DIMENSIONS: □ mm □ INCH □ mm □ INCH	SHT	REV
10 UNDER 未満	±0.2	DRAWN BY & DATE M.ISOGAYA '00/06/27	☉	mm ONLY	REVISION	REVISION
10 OVER 以上	±0.25	CHECKED BY & DATE H. Nogi / S. Ichikawa				
30 OVER 以上	±0.3	APPROVED BY & DATE H. Nogi				
ANGLE 角度	±3°	CAD FILENAME 55456005.S01	TITLE: 55456-**** TAPING PACKAGE			
		MATERIAL NO. SEE CHART	MOLEX MOLEX INCORPORATED			
		DRAWING NO. SD-55456-005				
		SHEET NO. 1 OF 2				
		THIS DRAWING CONTAINS INFORMATION THAT IS PROPRIETARY TO MOLEX INCORPORATED AND SHOULD NOT BE USED WITHOUT WRITTEN PERMISSION.			SIZE B	

DWG. NO. SD-55456-005

8 7 6 5 4 3 2 1

F

D

V

C

B

DO NOT SCALE DRAWING

44	45.5	40.4	20.2	28.95	55456-2030	55456-2039	55456-***39 ボス無し WITHOUT BOSS	55456-2010	55456-2019	55456-***19 ボス有り WITH BOSS	20	0 K
				27.7	-1930	-1939		-1910	-1919		19	N O
				26.45	-1830	-1839		-1810	-1819		18	O K
				25.2	-1730	-1739		-1710	-1719		17	N O
				23.95	-1630	-1639		-1610	-1619		16	N O
				22.7	-1530	-1539		-1510	-1519		15	N O
				21.45	-1430	-1439		-1410	-1419		14	N O
32	33.5	28.4	14.2	20.2	-1330	-1339	-1310	-1319	13	O K		
				18.95	-1230	-1239	-1210	-1219	12	O K		
				17.7	-1130	-1139	-1110	-1119	11	N O		
				16.45	-1030	-1039	-1010	-1019	10	O K		
24	25.5	—	11.5	15.2	-0930	-0939	-0910	-0919	9	N O		
				13.95	-0830	-0839	-0810	-0819	8	N O		
				12.7	-0730	-0739	-0710	-0719	7	N O		
				11.45	-0630	-0639	-0610	-0619	6	N O		
				10.2	-0530	-0539	-0510	-0519	5	O K		
16	17.5	—	7.5	8.95	-0430	-0439	-0410	-0419	4	O K		
				7.7	-0330	-0339	-0310	-0319	3	N O		
				6.45	55456-0230	55456-0239	55456-0210	55456-0219	2	N O		
キャリアテープ幅 TAPE WIDTH	(D)	(C)	(B)	(A)	CONNECTOR	エンボス梱包品 製品番号 MATERIAL NO.	MODEL NO.	CONNECTOR	エンボス梱包品 製品番号 MATERIAL NO.	MODEL NO.	極数 CIRCUIT SIZE	量産対応 AVAILABLE

EC NO. DRWN: CHK: APPR:	SEE SHEET 1 OF 2	EC NO. DRWN: CHK: APPR:	SEE SHEET 1 OF 2	EC NO. DRWN: CHK: APPR:	SEE SHEET 1 OF 2	EC NO. DRWN: CHK: APPR:	SEE SHEET 1 OF 2	EC NO. DRWN: CHK: APPR:	SEE SHEET 1 OF 2	REV	DESCRIPTION	MATERIAL 材料	GENERAL TOLERANCES: (UNLESS SPECIFIED) 一般公差	SCALE 2-1	DESIGN UNITS <input checked="" type="checkbox"/> mm <input type="checkbox"/> INCH	THIRD ANGLE PROJECTION	DIMENSIONS: <input type="checkbox"/> mm <input type="checkbox"/> INCH <input checked="" type="checkbox"/> mm ONLY	SHT	REV
C		B		A		0					注記参照 SEE NOTES	10 UNDER 未満	±0.2	DRAWN BY & DATE M.ISOGAYA	TITLE: 55456-**** TAPING PACKAGE				
											FINISH 仕上げ	10 OVER 30 UNDER 以上 未満	±0.25	CHECKED BY & DATE M. Nogi / S. Ichikawa.					
											WIRE RANGE 適用電線範囲	30 OVER 以上	±0.3	APPROVED BY & DATE <i>(Signature)</i>	MOLEX INCORPORATED				
											INS. RANGE 被覆外径	ANGLE 角度	±3°	CAD FILENAME 55456005.S02	MATERIAL NO. SEE CHART	DRAWING NO. SD-55456-005	SHEET NO. 2		
THIS DRAWING CONTAINS INFORMATION THAT IS PROPRIETARY TO MOLEX INCORPORATED AND SHOULD NOT BE USED WITHOUT WRITTEN PERMISSION.																	SIZE B		

8 7 6 5 4 3 2 1 EN-02J(097) MXJ-54

F

E

D

C

B

A 55456005.S02