

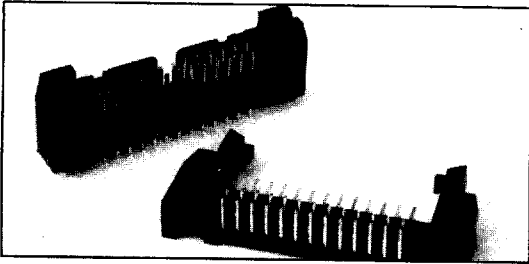
HEADERS



3 Sided .025" sq. Post Headers

MIL-C-83503 Compatible

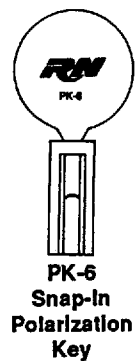
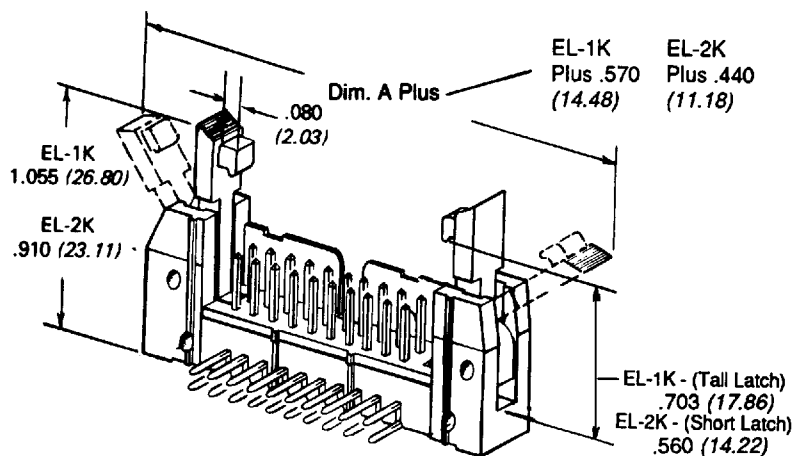
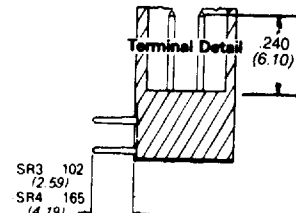
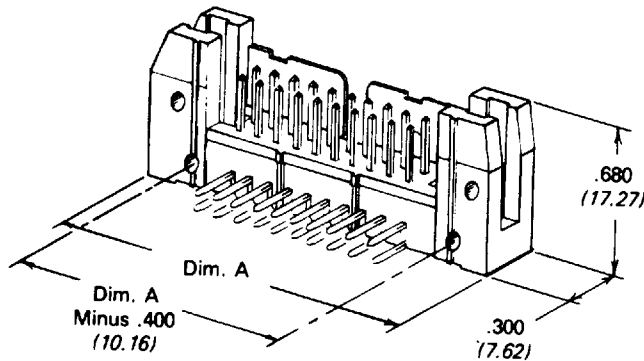
IDH-K Series



- Meets specifications of MIL-C-83503 for convenient, multiple sourcing
- Termination styles include solder tails for .062" (1.57) and .125" (3.17) thick PCB's
- Dual polarization slots provide mechanical coding with PK-6 keys

For Recommended PC Board Layout See Page 351.

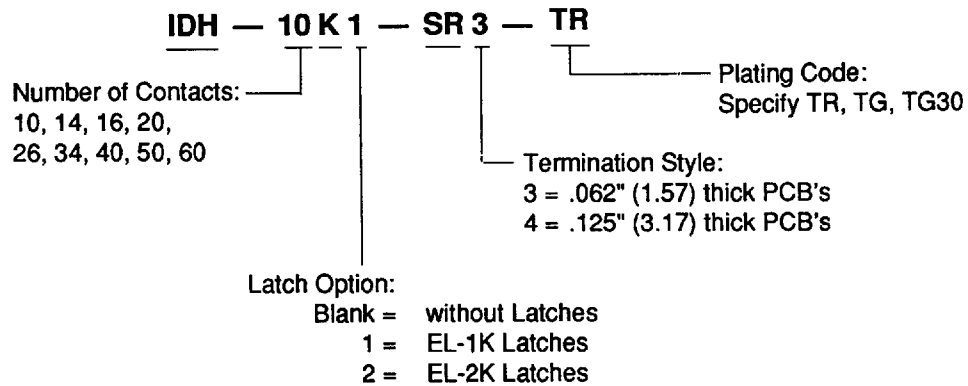
Tabulations	
No. of Contacts	Dim. A Inches (mm)
10	1.260 (32.00)
14	1.460 (37.08)
16	1.560 (39.62)
20	1.760 (44.70)
26	2.060 (52.32)
34	2.460 (62.48)
40	2.760 (70.10)
50	3.260 (82.80)
60	3.760 (95.50)



NOTE:
All Solder Tails
Are Rounded To
.028 (.71) For
Easy P.C. Board
Insertion.

CABLE-TO-BOARD

How to Order IDH-K Series



How to Order Accessories

PK-6
Polarization Keys


EL-2K
Short Ejector Latches


EL-1K
Long Ejector Latch

Materials:

Body: Glass-filled, black polyester
Contacts: Phosphor Bronze

Agency Approvals:

 #E73746

 #46898

Performance Characteristics:

Temperature Range: -55°C to + 105°C
Contact Resistance: 20 Milliohms max.
Insulation Resistance: 5000 Megaohms min.
Dielectric Withstand Voltage: 500 volts DC
Current Rating: 1 Ampere at 100°C ambient
Flammability: UL 94V-0

Plating Description

Suffix TR = 10 μinch (.254 μm) minimum
ROBEX® on contact area.
100 μinch (2.54 μm) minimum
Tin on terminal area.

TG = 10 μinch (.254 μm) minimum
Gold on contact area.
100 μinch (2.54 μm) minimum
Tin on terminal area.

TG30 = 30 μinch (.762 μm) minimum
Gold on contact area.
100 μinch (2.54 μm) minimum
Tin on terminal area.

All options include an Underplate of
50 μinch (.127 μm) Nickel.

IDC Product Specifications and Test Data

Electrical

Current Rating	1 Amp
Insulation Resistance	>5 X 10 ⁹ Ohms at 500 VDC
Withstanding Voltage	500 VRMS at Sea Level
Contact Resistance	20 milliohms Maximum

Environmental

Operating Temperature	
Phos Bronze Contacts	-55°C to + 105°C
Be Cu Contacts	-55°C to + 125°C
Corrosive Atmosphere	
Ammonium Polysulfate (4 Hours)	R _C = 9.3 milliohms
Nitric Acid (1 Hour)	R _C = 8.4 milliohms
Salt Spray	
MIL-STD-1344, Method 1001, Condition B	R _C - 11.7 milliohms
+ 35°C, 96 Hours	(no damage)
Humidity	
MIL-STD-1344, Method 1002, Type I, Condition B	R _C = 14.8 milliohms
96 Hours, 95% Relative Humidity, + 40°C	(no damage)
Thermal Shock	
MIL-STD-1344, Method 1003, Condition A	R _C - 11.7 milliohms
-55°C to + 85°C (5 Cycles)	(no damage)
Mechanical Shock	
MIL-STD-1344, Method 2004, Condition G	No Discontinuity
100 Gs, 6 milliSeconds Each Axis	
Vibration	
MIL-STD-1344, Method 2005, Condition 4	No Discontinuity
10-2000 Hz, 20 G Peak (12 Cycles)	
Temperature Life	
MIL-STD-1344, Method 1005, 1,000 Hours, Condition 4	R _C - 14.9 milliohms
+ 105°C	
Socket Durability	
500 Cycles	R _C = <12 milliohms

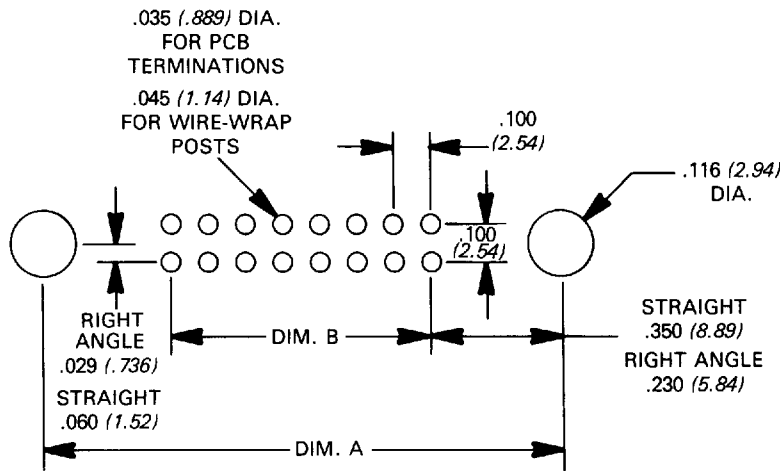
Note: For Complete test results on high reliability ROBEX® plating (TR and TR30), contact the factory.

IDC
CABLE-TO-BOARD

.025" Sq. Post Headers

The detail below describes the recommended mounting hole patterns and hole sizes for the following post leader series: IDH-PK, IDH-K, IDH-LP.

Note: The mounting hole information will apply to IDH-PK and IDH-K Series only.



Inches (mm)

No. of Contacts	Dim. A for Straight Mount	Dim. A for Right Angle Mount	Dim. B
10	1.100 (27.94)	.860 (21.84)	.400 (10.16)
14	1.300 (33.02)	1.060 (26.92)	.600 (15.24)
16	1.400 (35.56)	1.160 (29.46)	.700 (17.78)
20	1.600 (40.64)	1.360 (34.54)	.900 (22.86)
26	1.900 (48.26)	1.660 (42.16)	1.200 (30.48)
34	2.300 (58.42)	2.060 (52.32)	1.600 (40.64)
40	2.600 (66.04)	2.360 (59.94)	1.900 (48.26)
50	3.100 (78.74)	2.860 (72.64)	2.400 (60.96)
60	3.600 (91.44)	3.360 (85.34)	2.900 (73.66)

IDC
CABLE-TO-BOARD