

.100" × .100" Low Profile Header

Straight & Right Angle, 4 Wall, High Temp Option

2500 Series



- Low profile, space saving design
- Socket compatibility for current design validation
- Center slot polarization prevents mis-insertions and reduces insertion time
- Dual slot polarization means broader compatibility with competitive polarization designs
- Optional retainer clamp for locking sockets in place and increasing connection reliability in vibration-prone environments
- Optional snap-in latches available
- Optional polarizing post available
- Exposed solder tails (on right angle version) provide ease of cleaning and reduced repair costs

TS-0770-03
Sheet 1 of 3

81

Physical

Insulation

Material: Glass Filled Polyester (PBT)
Glass Filled Polyester (PCT — High Temp Option)
Flammability: UL 94V-0
Color: Gray
Beige (High Temp Option)
Marking: 3M Logo, and Orientation Triangle

Contact

Material: Copper Alloy
Plating
Underplate: 100 μ " [2.54 μ m] Nickel — QQ-N-290, Class 2
Wiping Area: Gold — MIL-G-45204, Type II, Grade C
Solder Tails: 200 μ " [5.08 μ m] 60/40 Tin Lead — MIL-P-81728
Wrap Tails: Gold Flash (Standard Only)

Electrical

Current Rating: 2 A
Insulation Resistance: $>1 \times 10^9 \Omega$ at 500 Vdc
Withstanding Voltage: 1000 Vrms at Sea Level

Environmental

Temperature Rating: -55°C to $+105^\circ\text{C}$
Processing: Maximum 235°C , with 90 seconds over 215°C (High Temp Option)

UL File No.: E68080

3M Electronic Products Division

<http://www.3M.com/interconnects/>

223

For technical, sales or ordering information call
800-225-5373

D 19F ■ 9035312 0004419 317 ■

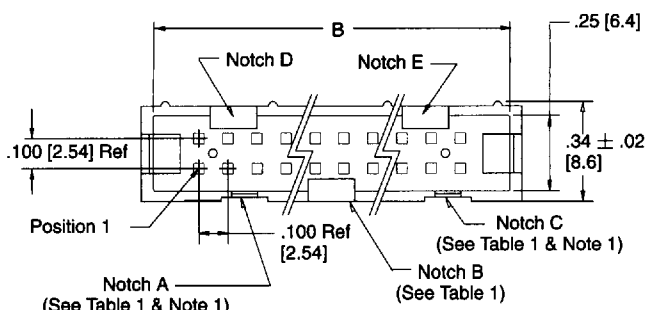
.100" × .100" Low Profile Header

Straight & Right Angle, 4 Wall, High Temp Option

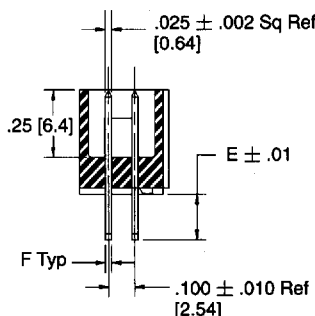
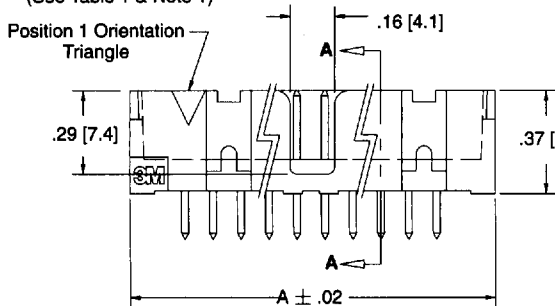
2500 Series

Tail	Dim E	Pin Cross Section			Dim G ± .003
		Dimension F	Diagonals	Corner Radii	
X2	.112 [2.84]	0.0245 ± .0005 [0.622]	0.028 ± .001 [0.71]	0.0075 Ref [0.191]	.035 [0.89] (See Note 2)
03	.155 [3.94]	0.0245 ± .0005 [0.622]	0.028 ± .001 [0.71]	0.0075 Ref [0.191]	.035 [0.89]
05	.61 Ref [15.5]	0.0250 ± .002 [0.635]	0.035 ± .003 [0.90]	0.003 Max [0.08]	.045 [1.14]

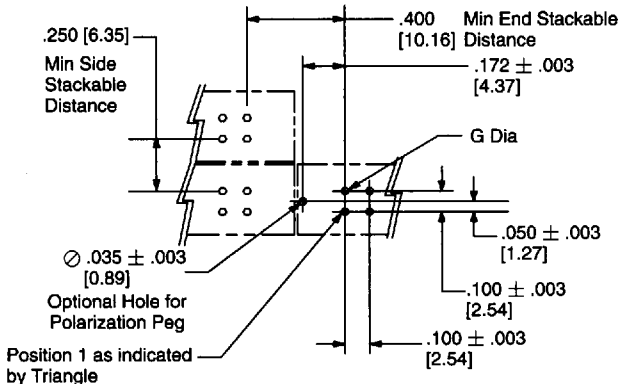
Pin Qty	Dimensions		Polarizing Notches
	A	B	
10	0.79 [20.0]	0.70 [17.8]	B C
14	0.99 [25.1]	0.90 [22.8]	B C D E
16	1.09 [27.6]	1.00 [25.4]	A B C D E
20	1.29 [32.7]	1.20 [30.4]	A B C D E
24	1.49 [37.8]	1.40 [35.5]	A B C D E
26	1.59 [40.3]	1.50 [38.1]	A B C D E
30	1.79 [45.4]	1.70 [43.2]	A B C D E
34	1.99 [50.5]	1.90 [48.2]	A B C D E
40	2.29 [58.1]	2.20 [55.9]	A B C D E
50	2.79 [70.8]	2.70 [68.6]	A B C D E
60	3.29 [83.5]	3.20 [81.3]	A B C D E
64	3.49 [88.6]	3.40 [86.4]	A B C D E



Straight



Section A-A



Recommended P.C. Board Hole Pattern
(Shown for mounting side of board.)

Notes:

- Notches "A" and "C" will accommodate 3M Polarizing Keys 3518.
- The recommended PCB hole size for the kinked tail positions on the .112" solder tail connector is .035" ± .002.

Inch [mm]			
Tolerance Unless Noted			
	.0	.00	.000
Inch	± .1	± .01	± .005

[] Dimensions for Reference Only

Ordering Information

X25XX-X0XXXX

Blank = Standard
N = High Temperature

Pin Quantity:
(See Table 1)

Product Material:
6 = Standard Product
7 = High temperature
(Bond pad not available)

Tail
02 = Solder Tails for .062 [1.57] Thick Board.
K2 = Kinked Solder Tails for .062 [1.57] Thick Board.
03 = Solder Tails for .094 to .125 [2.39 to 3.18] Thick Board.
05 = Wrap Tails for up to 3 Levels of Wire Wrap.
(Standard Only)

Mating Plating Thickness:
For Solder Tail Versions
UG = 15 μ" [0.38 μm]
UB = 30 μ" [0.76 μm]
For Wrap Tail Versions
EB = 30 μ" [0.76 μm]
(Standard Only)

TS-0770-03
Sheet 2 of 3