

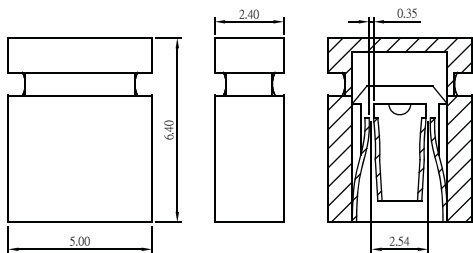
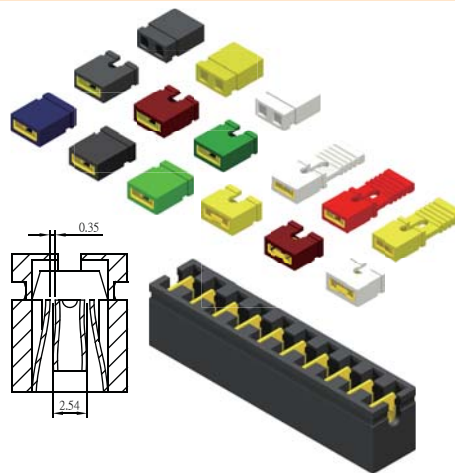
Mini Jumper 2.54mm

Specifications

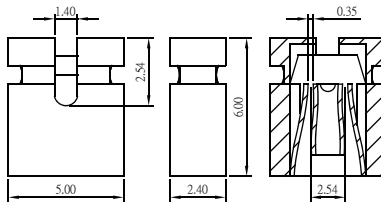
Current Rate: 3 AMP
 Insulation Resistance: 1000MΩ Min.
 Contact Resistance: 20mΩ Max.
 Dielectric Voltage: 1000V AC for one minute
 Operation Temperature: -40°C to +105°C

Material

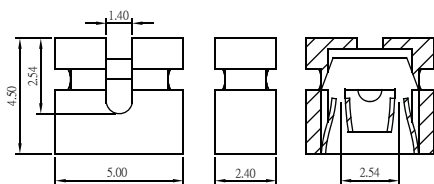
Insulator: Polyester, UL 94V-0
 ©Standard: PBT or Nylon 66
 Terminal: Brass or Phosphor Bronze
 Plating: Gold Plated



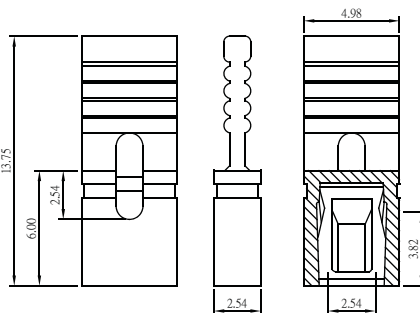
A Type



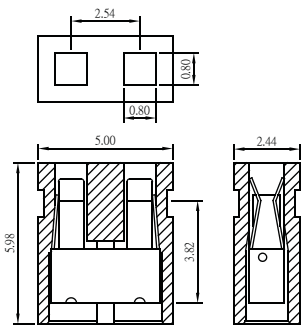
B Type



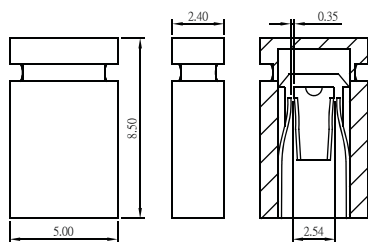
C Type



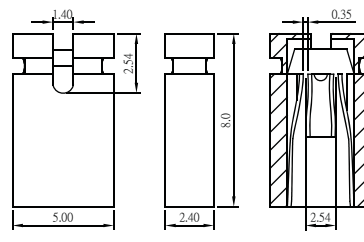
D Type



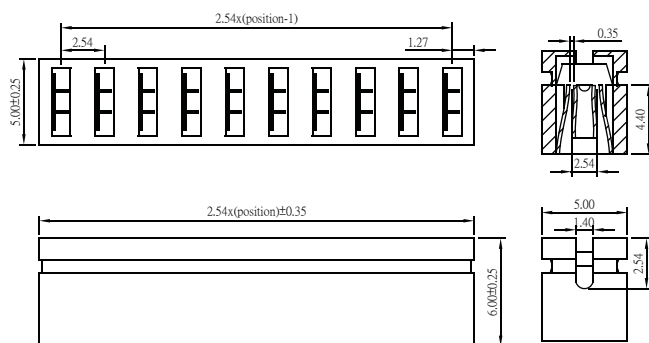
F Type



G Type

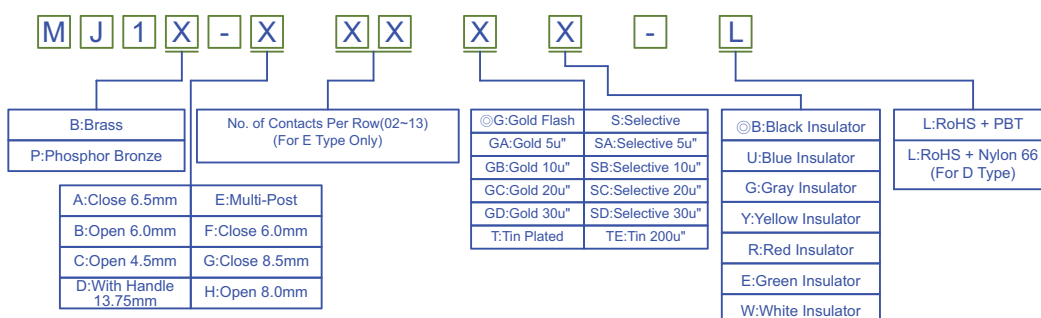


H Type



E Type

ORDER INFORMATION



©Standard Recommended