

PRODUCT NUMBER
10118678-XXXXXXLF

LEAD FREE OPTION
SEE NOTE 1,7

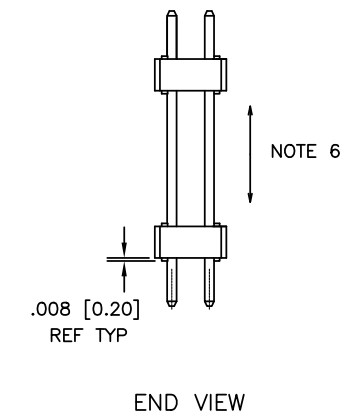
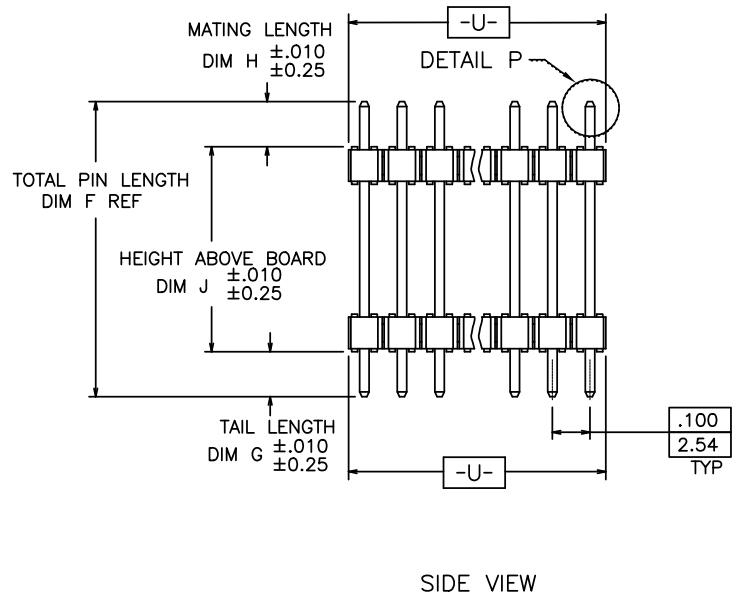
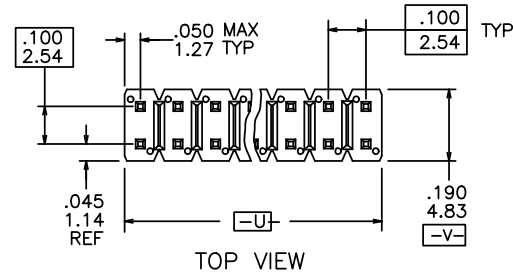
PACKAGING OPTION
SEE NOTE 1

INDICATE DIFFERENT MATING LENGTH
AND TAIL LENGTH AND POLARIZED PIN
AND OTHER INFORMATION

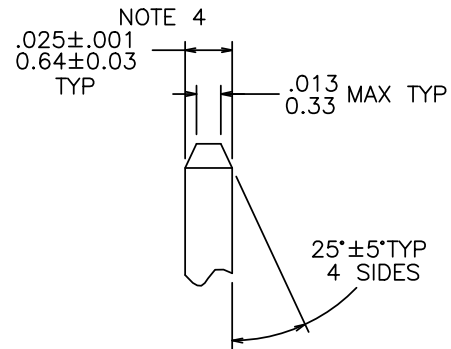
NO OF
POSITIONS
SEE NOTE 1

PIN PLATING
SEE SHEET 2

BASE PART NO.



⊕ ∅.020/0.51 (M) U (M) V (S)



DETAIL P
TYP BOTH ENDS

mat'l. code NOTE 2 & 3		surface ISO 1302 ✓		tolerance ISO 406 ISO 1101		projection ⊕		product family BERGSTIK	
ltr ecn nldr date		tolerances unless otherwise specified		angles		line		title	
A	ZK	09/02/11		0°±2'	XX±.01/XX±.3	XXX±.005/XX±.13	XXXX±.0020/XXX±.05	BERGSTIK® II HDR. D/R .100 CTR. R.R. TRACK	
dr		ZK.HU	09/02/11	scale 2:1		dwg no		sheet 1 of 3 size	
engr		ZK.HU	09/02/11	FCI		10118678		A3	
chr		J.ZHOU	09/02/11	type		Product Customer Drawing			
appd		R.BIAN	09/02/11						
sheet index	revision	A	A	A					
	sheet	1	2	3					

PIN PLATING CODES:

XXXX-1YY	30u"/0.76u MIN (SEE NOTE 8) OVER 50u"/1.27u MIN Ni
XXXX-2YY	15u"/0.38u MIN (SEE NOTE 8) OVER 50u"/1.27u MIN Ni
XXXX-3YY	50u"/1.27u MIN (SEE NOTE 8) OVER 50u"/1.27u MIN Ni
XXXX-4YY	100u"/2.54u MIN Sn OVER 50u"/1.27u MIN Ni (SEE NOTE 1,9)

NOTES

1. PART NUMBER OPTIONS:

PIN PLATING CODES (SEE ABOVE)

NUMBER OF POSITION:

ANY NUMBER OF POSITIONS FROM 4 (2X2) THRU 72 (2X36).

PACKAGING:

PACKAGED IN POLY BAGS.

LEAD FREE:

ADD "LF" SUFFIX AT THE END OF PART NUMBER FOR LEAD FREE OPTION.

2. BODY MATERIAL:

HIGH TEMPERATURE THEROPLASTIC.

PART NUMBERS WILL WITHSTAND EXPOSURE

TO 260°C PEAK TEMPERATURE FOR 20 SECONDS IN

WAVE SOLDER, INFRA-RED OR VAPOR PHASE SOLDER PROCESS.

3. PIN MATERIAL: COPPER ALLOY.

4. MEASURED WITH PART IN RESTRAINED CONDITION.

5. TWO SIDES OF PIN TIPS NOT PLATED. TYPICAL BOTH ENDS.

6. 2LBS/0.9KG MIN PIN RETENTION IN EITHER DIRECTION.

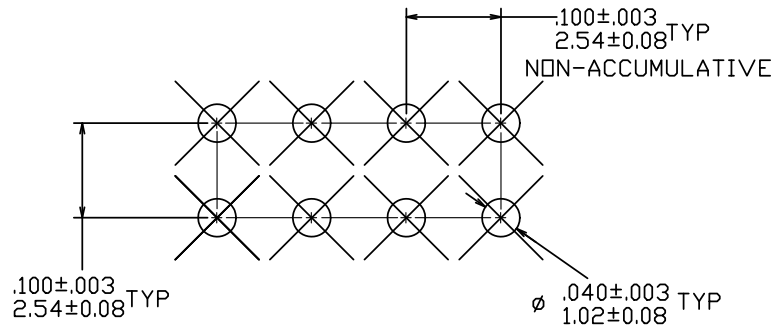
7. THESE PRODUCTS MEETS EUROPEAN UNION DIRECTIVES AND OTHER COUNTRY REGULATION AS DESCRIBED IN GS-22-008.

8. PLATING OPTIONS:

PERFORMANCE PLATING WILL BE EITHER GOLD OR GXT ON POST OR TAIL, OPTIONALLY (78~295u"/2~7.5u) TIN ON TAIL.

9. THIS PRODUCT HAS 100% TIN PLATING IN THE INTERFACE AND

HAS NOT BEEN TESTED FOR WHISKER GROWTH IN ALL INTERCONNECT ENVIRONMENTS.



DOUBLE ROW RECOMMENDED HOLE PATTERN



FCIconnect.com

Copyright FCI

mat'l. code NOTE 2 & 3		surface ISO 1302	tolerance ISO 406 ISO 1101	projection 	product family BERGSTIK
ltr	ecn	ndr	date	tolerances unless otherwise specified	title BERGSTIK® II HDR. D/R .100 CTR. R.R. TRACK
A				angles line 0°±2'	INCH/MM scale 2:1
				dr engr chr appd	dwg no sheet 2 of 3 size type
				ZK.HU 09/02/11 ZK.HU 09/02/11 J.ZHOU 09/02/11 R.BIAN 09/02/11	10118678 A3 Product Customer Drawing
sheet index	revision sheet				



PRODUCT NUMBER	TOTAL PIN LGTH		TAIL LENGTH		MATING LENGTH		HEIGHT ABOVE BOARD		POLARIZED PIN	LF OPTION
	DIM F	DIM F	DIM G	DIM G	DIM H	DIM H	DIM J	DIM J		
	ENGLISH	METRIC	ENGLISH	METRIC	ENGLISH	METRIC	ENGLISH	METRIC		
10118678-XY001	1.030	26.16	0.110	2.79	0.255	6.84	0.665	16.89	-	NOTE 1,7



Copyright FCI

mat'l. code NOTE 2 & 3		surface ISO 1302 ✓	tolerance ISO 406 ISO 1101	projection 	product family BERGSTIK
ltr	ecr	ndr	date	tolerances unless otherwise specified	title BERGSTIK® II HDR. D/R .100 CTR. R.R. TRACK
A				angles linear 0°±2'	INCH/MM scale 2:1
				dr engr chr appd	FCI logo
				ZK.HU ZK.HU J.ZHOU R.BIAN	09/02/11 09/02/11 09/02/11 09/02/11
sheet index	revision sheet				dwg no 10118678 type Product Customer Drawing
					sheet 3 of 3 size A3