

Specifications

Current rating: 1A AC,DC

Voltage rating: 150V AC,DC

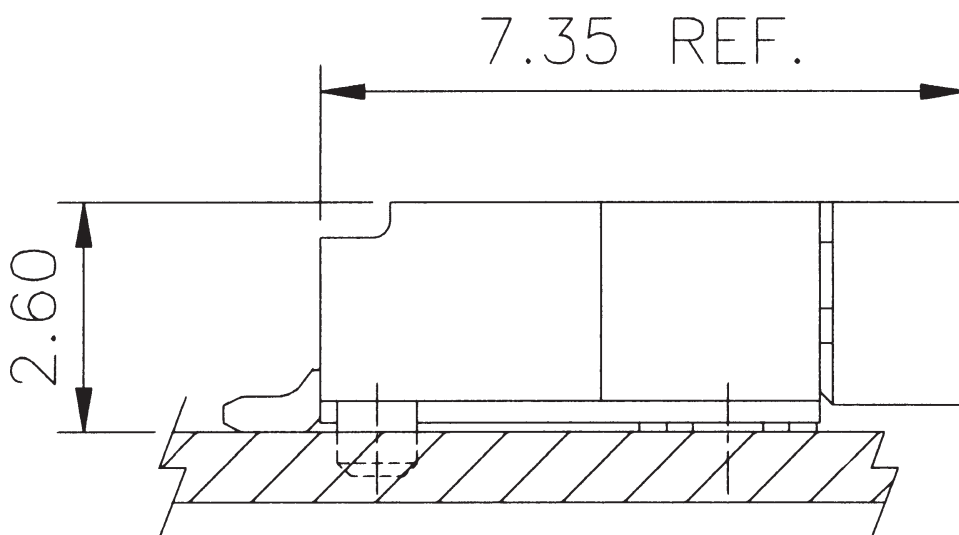
Temperature range: -25°C ~ +85°C

Contact resistance: 30mΩ Max.

Insulation resistance: 500MΩ Min.

Withstanding voltage: 500V AC/minute

Assembly layout

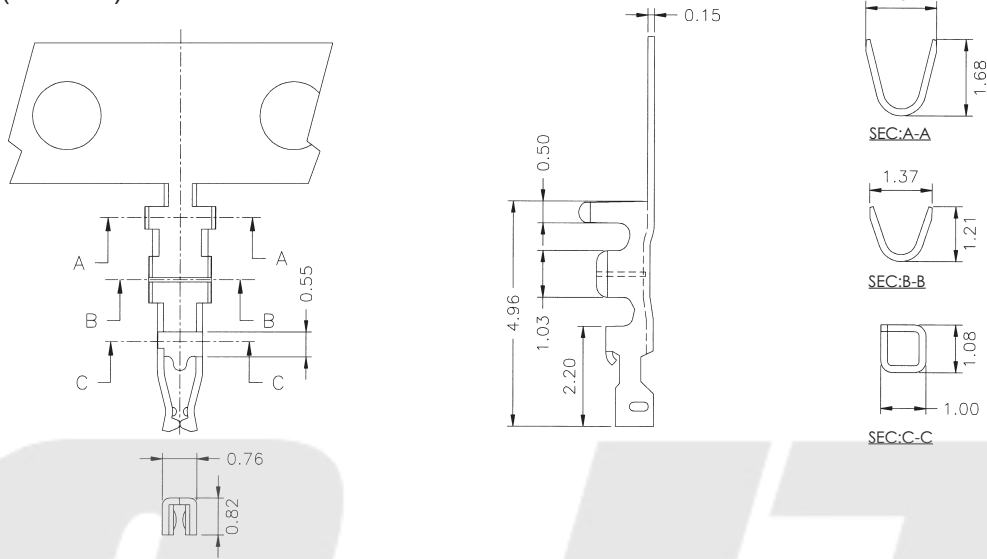


A1255-T — 1.25mm pitch Crimp Terminal

Reference Informations:

*Used in CJT A1255 series Housing

*Tolerance:(unit:mm) .0 ±0.25/ .00 ±0.15/ .000 ±0.10



Ordering Information & Specifications:

Unit:mm

Part No.	Wire Range	Insulation O.D.	Material	Finish	Qty/reel
A1255-TP	AWG#26-#32	1.00mm(max)	Phosphor Bronze	Tin-plated	10,000pcs

A1255H — 1.25mm pitch Housing

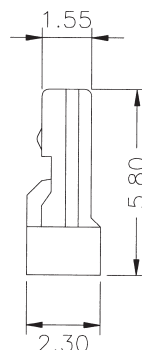
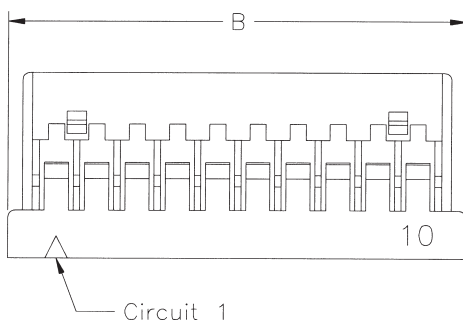
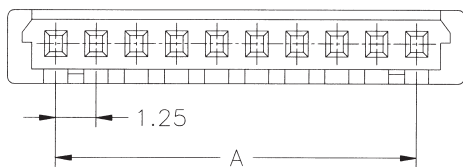
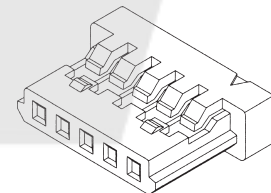
Reference Informations:

*Material: Nylon 66,UL94V-0

*Suitable CJT A1255 series Terminal

*Mates with CJT A1255 series Wafer

*Tolerance:(unit:mm) .0 ±0.25/ .00 ±0.15/ .000 ±0.10



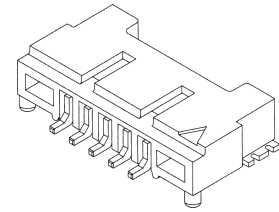
Ordering Information & Dimensions:

PART NO.	Dimensions	
	A	B
A1255H-2P	1.25	4.35
A1255H-3P	2.50	5.60
A1255H-4P	3.75	6.85
A1255H-5P	5.00	8.10
A1255H-6P	6.25	9.35
A1255H-7P	7.50	10.60
A1255H-8P	8.75	11.85
A1255H-9P	10.00	13.10
A1255H-10P	11.25	14.35
A1255H-11P	12.50	15.60
A1255H-12P	13.75	16.85
A1255H-13P	15.00	18.10
A1255H-14P	16.25	19.35
A1255H-15P	17.50	20.60
A1255H-20P	23.75	26.85
A1255H-25P	30.00	33.10
A1255H-30P	36.25	39.35

Unit:mm

A1255WR-S-F

1.25mm pitch 90° Wafer With Polarizing Peg - SMT TYPE



Reference Informations:

*Material: Pin: Brass/Tin-plated

Solder Tabs: Brass/Tin-plated

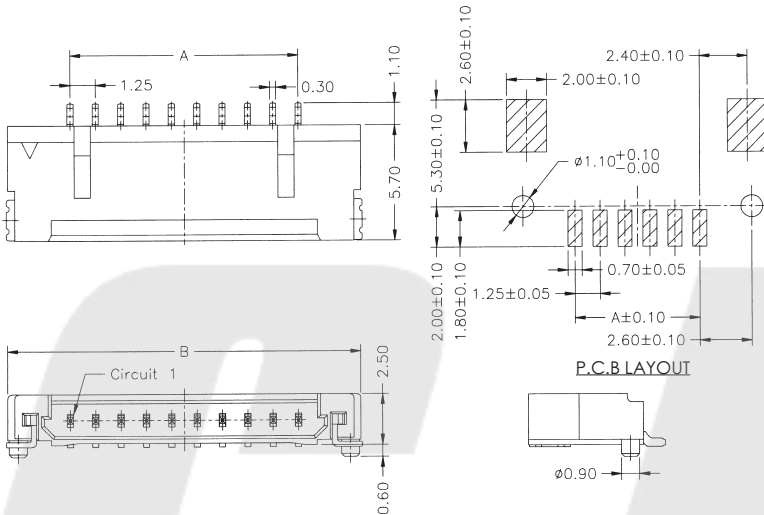
Wafer: Nylon 6T,UL94V-0

*Mates with CJT A1255 series Housing

*Tolerance:(unit:mm) .0 ±0.25/ .00 ±0.15/ .000 ±0.10

Ordering Information & Dimensions:

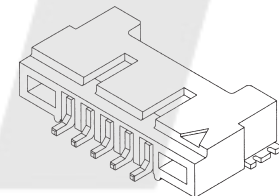
PART NO.	Dimensions	
	A	B
A1255WR-S-F-2P	1.25	7.45
A1255WR-S-F-3P	2.50	8.70
A1255WR-S-F-4P	3.75	9.95
A1255WR-S-F-5P	5.00	11.20
A1255WR-S-F-6P	6.25	12.45
A1255WR-S-F-7P	7.50	13.70
A1255WR-S-F-8P	8.75	14.95
A1255WR-S-F-9P	10.00	16.20
A1255WR-S-F-10P	11.25	17.45
A1255WR-S-F-11P	12.50	18.70
A1255WR-S-F-12P	13.75	19.95
A1255WR-S-F-13P	15.00	21.20
A1255WR-S-F-14P	16.25	22.45
A1255WR-S-F-15P	17.50	23.70
A1255WR-S-F-20P	23.75	29.95
A1255WR-S-F-25P	30.00	36.20
A1255WR-S-F-30P	36.25	42.45



Unit:mm

A1255WR-S

1.25mm pitch 90° Wafer - SMT TYPE



Reference Informations:

*Material: Pin: Brass/Tin-plated

Solder Tabs: Brass/Tin-plated

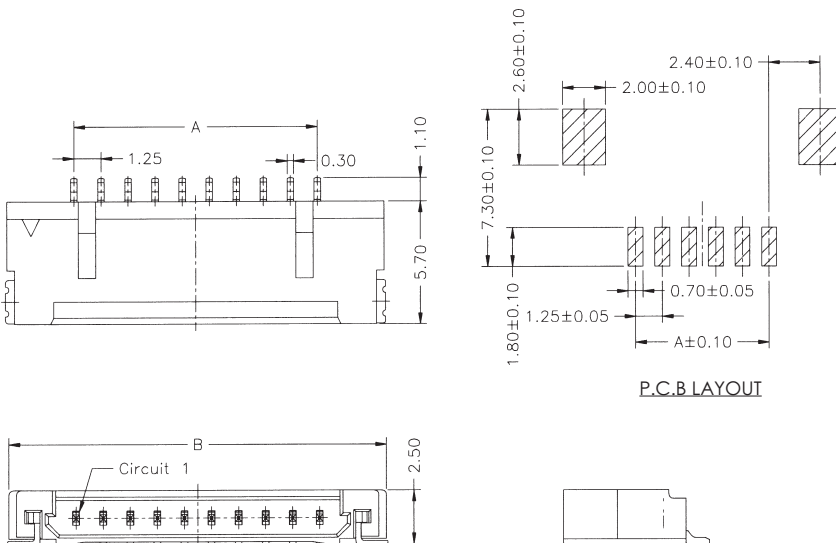
Wafer: Nylon 6T,UL94V-0

*Mates with CJT A1255 series Housing

*Tolerance:(unit:mm) .0 ±0.25/ .00 ±0.15/ .000 ±0.10

Ordering Information & Dimensions:

PART NO.	Dimensions	
	A	B
A1255WR-S-2P	1.25	7.45
A1255WR-S-3P	2.50	8.70
A1255WR-S-4P	3.75	9.95
A1255WR-S-5P	5.00	11.20
A1255WR-S-6P	6.25	12.45
A1255WR-S-7P	7.50	13.70
A1255WR-S-8P	8.75	14.95
A1255WR-S-9P	10.00	16.20
A1255WR-S-10P	11.25	17.45
A1255WR-S-11P	12.50	18.70
A1255WR-S-12P	13.75	19.95
A1255WR-S-13P	15.00	21.20
A1255WR-S-14P	16.25	22.45
A1255WR-S-15P	17.50	23.70
A1255WR-S-20P	23.75	29.95
A1255WR-S-25P	30.00	36.20
A1255WR-S-30P	36.25	42.45



Unit:mm