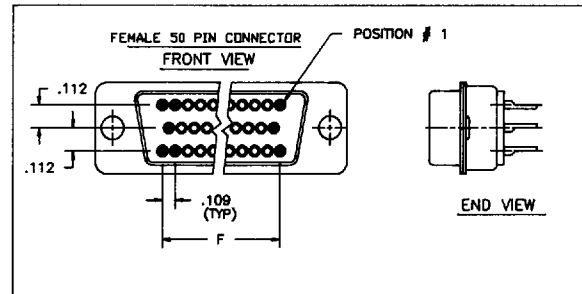
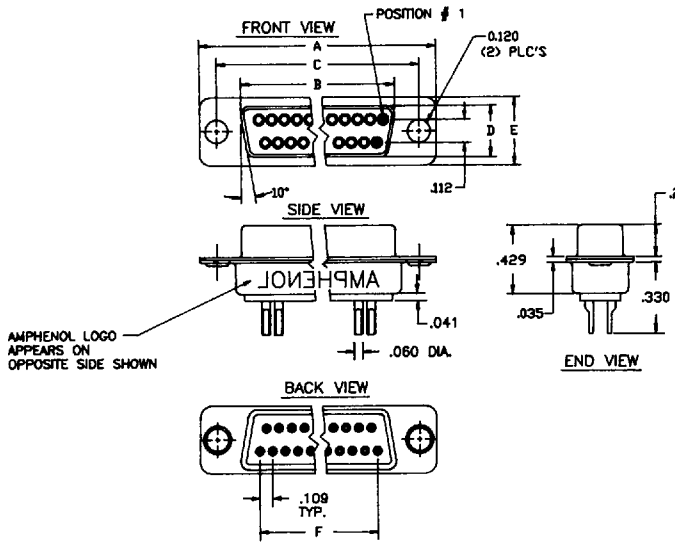


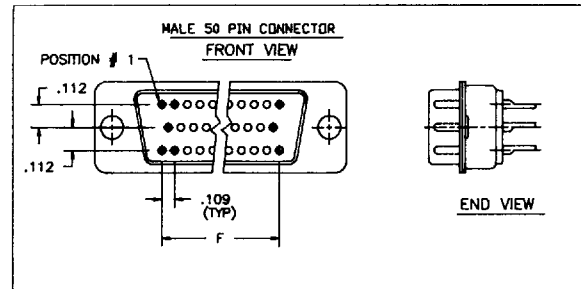
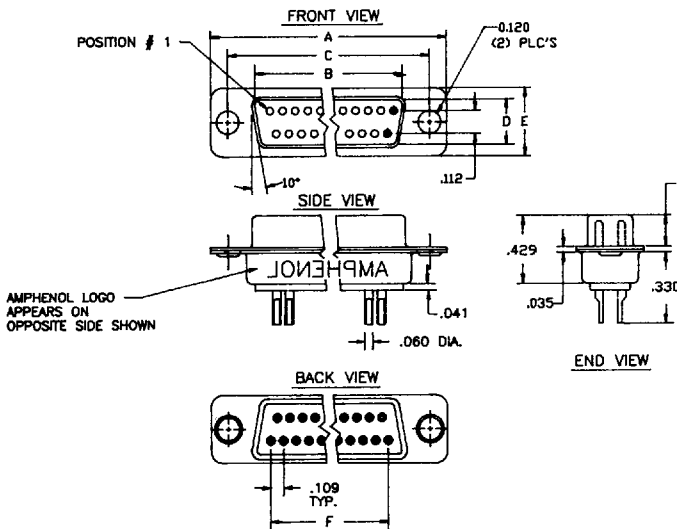
FEMALE



DIMENSIONS IN INCHES

SHELL SIZE	NO. OF CONTACTS	A	B	C	D	E	F
E	9	1.220	.635	0.984	0.311	.492	.436
A	15	1.547	.962	1.311	0.311	.492	.763
B	25	2.092	1.507	1.856	0.311	.492	1.308
C	37	2.746	2.161	2.510	0.311	.492	1.962
D	50	2.643	5.059	2.400	0.429	.604	1.744

MALE



DIMENSIONS IN INCHES

SHELL SIZE	NO. OF CONTACTS	A	B	C	D	E	F
E	9	1.220	.663	0.984	.330	.492	.436
A	15	1.547	.990	1.311	.330	.492	.763
B	25	2.092	1.535	1.856	.330	.492	1.308
C	37	2.746	2.189	2.510	.330	.492	1.962
D	50	2.643	5.088	2.400	.448	.604	1.744

Amphenol

Amphenol Commercial Division

720 Sherman Avenue
 Hamden, CT 06514
 Tel: (203) 281-3200
 (800) 846-6400
 Fax: (203) 281-5872

- Amphenol Connectors
- **SPECTRA-STRIP** Cable
 ISO 9001 Certified

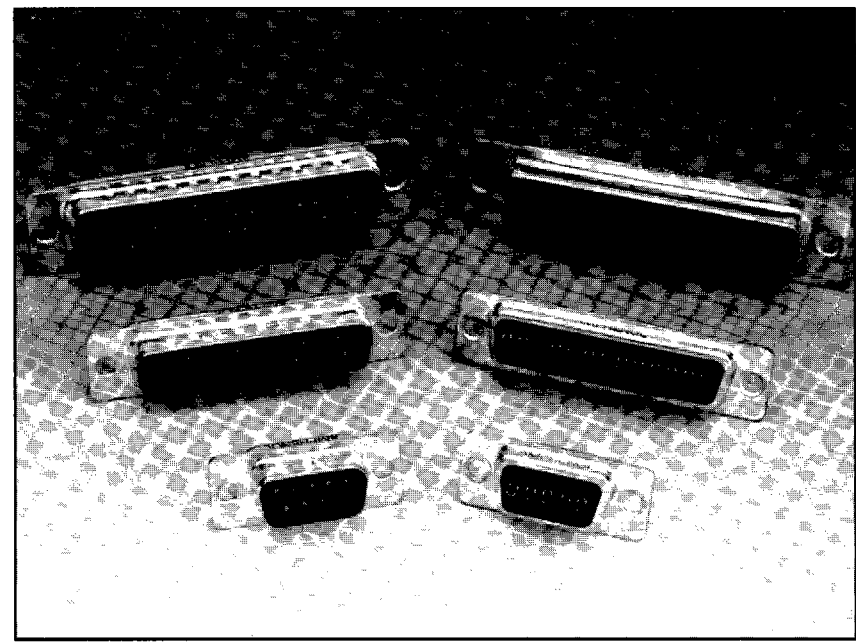
Dimensions and characteristics subject to change without notice.
 Printed in U.S.A. 6/95

Amphenol Economy Solder-Cup D-Subminiatures

ED Series

Amphenol's ED series is the most economical member of the fixed contact D-subminiature family.

The ED connector features precision formed contacts with gold flash plating on the mating area. Amphenol quality without the expense of overplating.



Specifications:

MATERIALS

Shell: Tin-plated steel
Body: Black glass-filled thermoplastic polyester, UL94V-O rated
Contacts: Gold flash over 50 microinches nickel

ENVIRONMENTAL CHARACTERISTICS

Temperature Range: -55° C to +105° C
Humidity: 21 days at 105° F, 95% R.H.

DIMENSIONS

See reverse

ELECTRICAL CHARACTERISTICS

Voltage Rating: 300V RMS TO 50 Hz
Current Rating: 7.5 Amps
Dielectric Withstanding Voltage: 1,000 V (min) RMS to 50 Hz
Contact Resistance: 5 Milliohms (max)
Insulation Resistance: 5,000 Megohms (min)

MECHANICAL CHARACTERISTICS

Insertion Force: 4.3 oz (min); 9.0 oz (max) per contact
Extraction Force: 1.4 oz (min)

Ordering Information:

